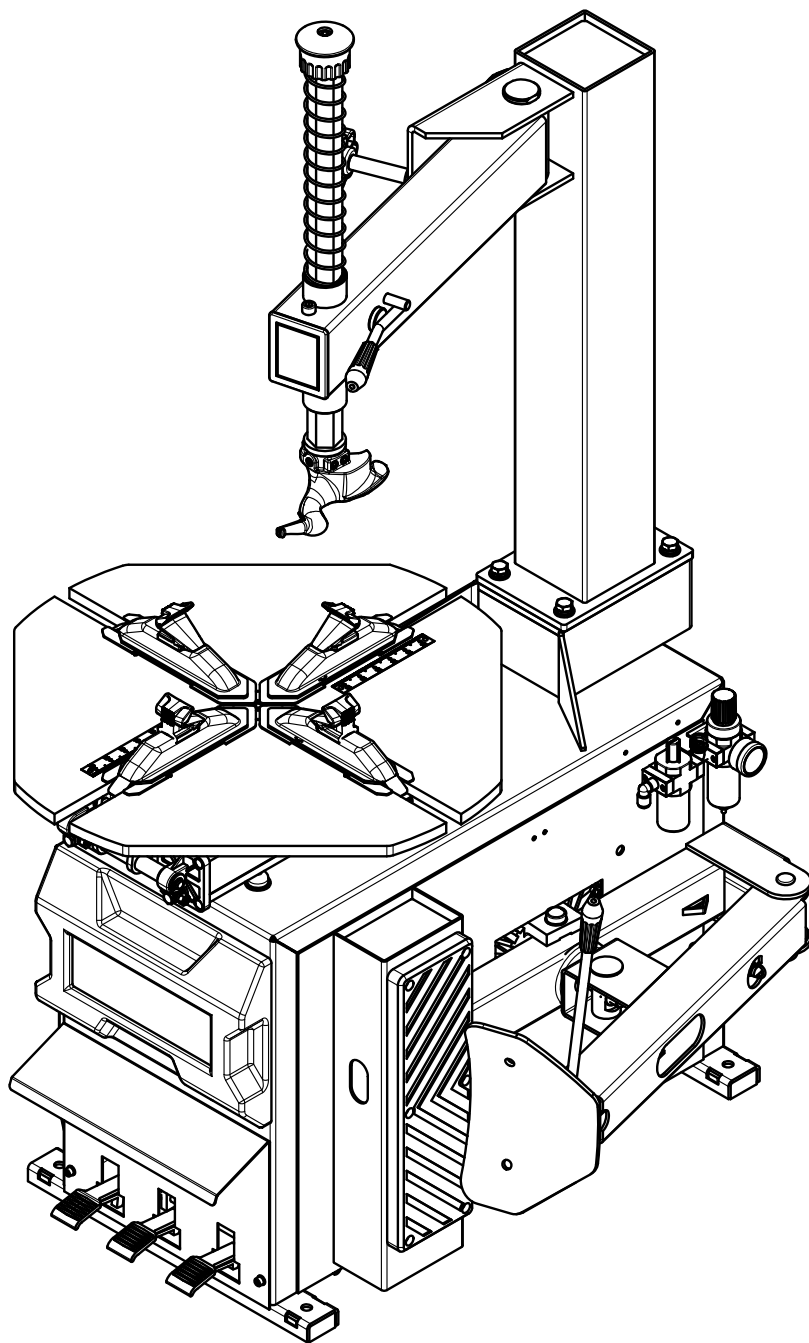
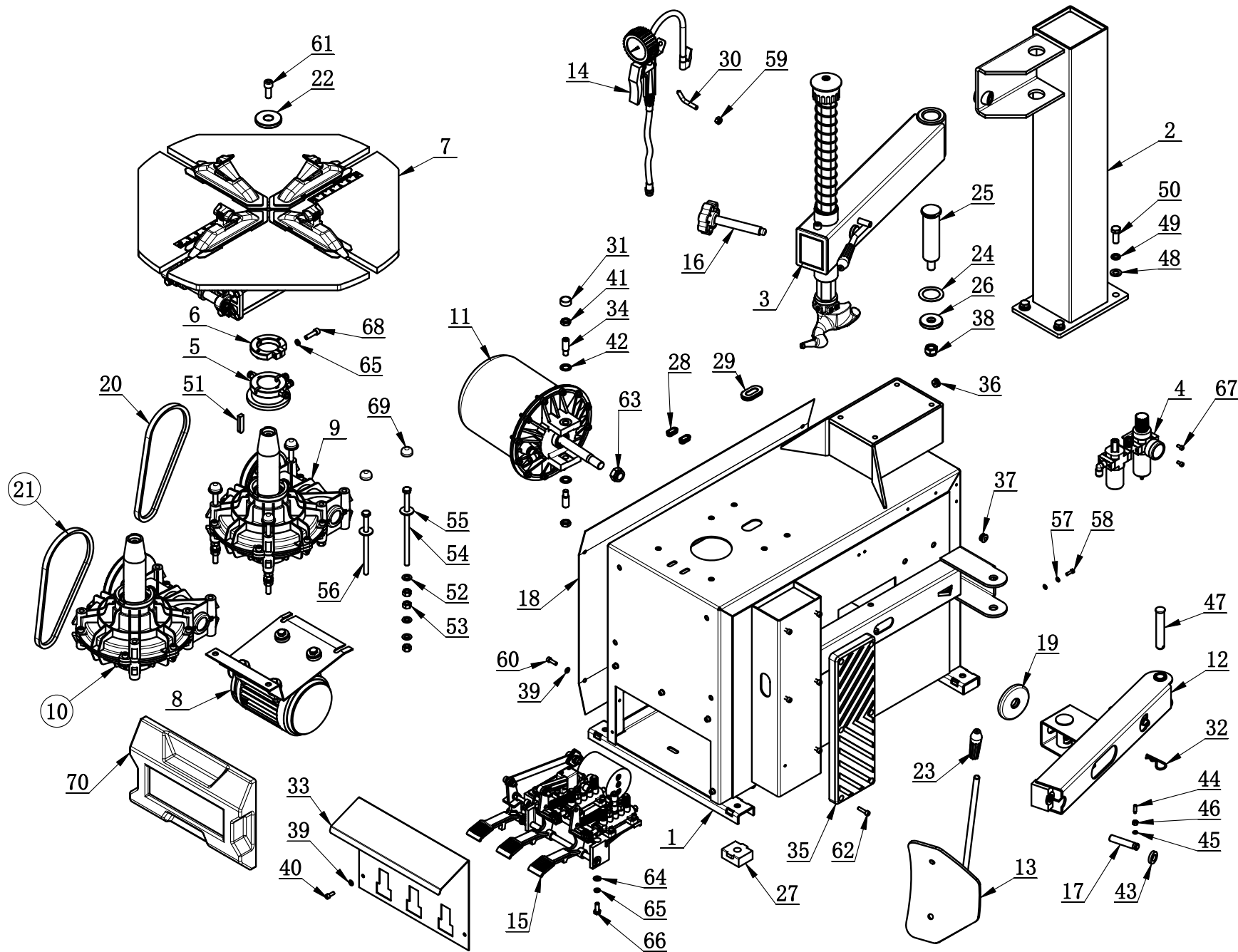


LC810-CB



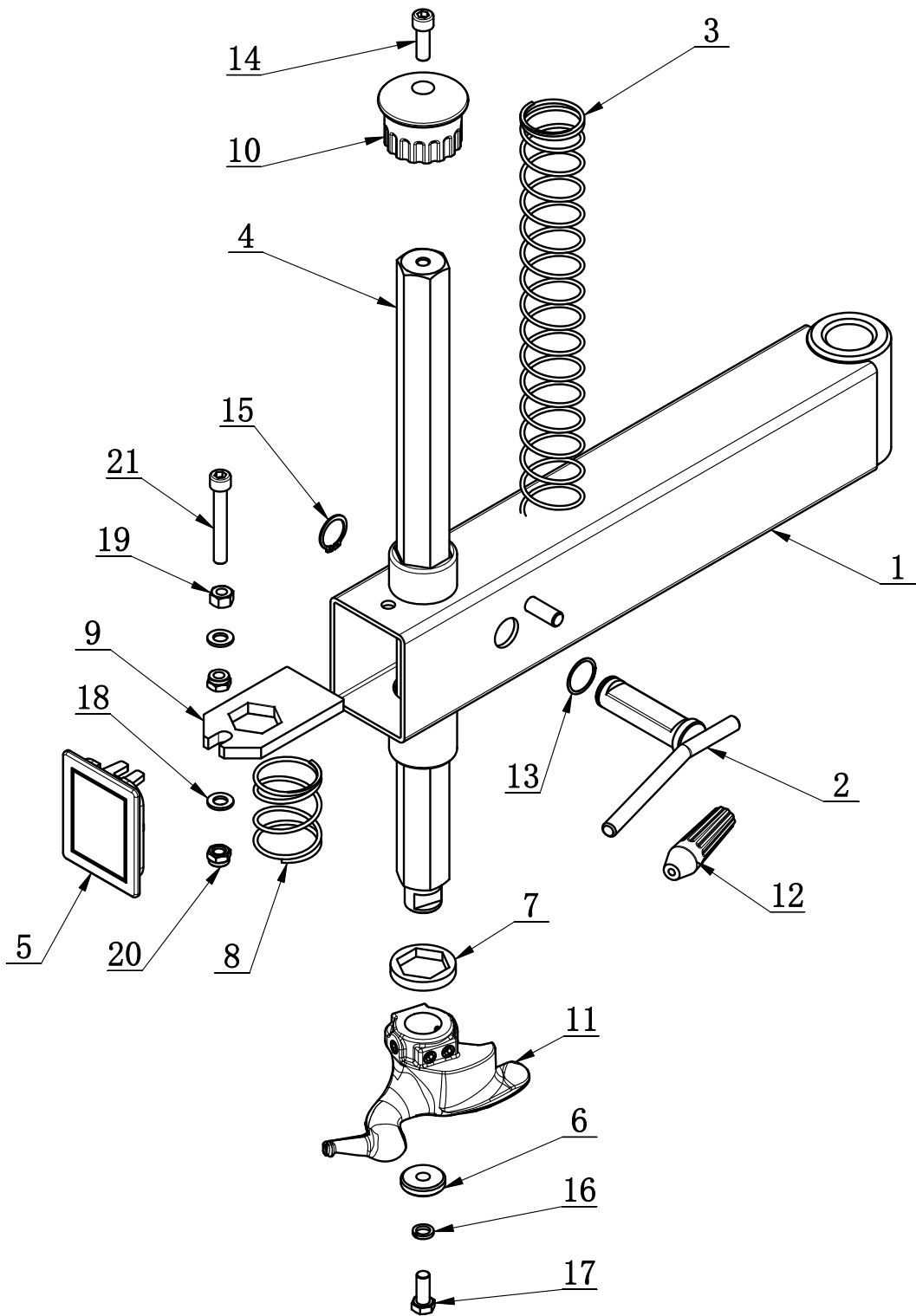
# T524 Exploded Drawing





ITEM	PART. No	DESCRIPTION.	QT. Y
1	C-03-1100000	BODY	1
2	C-01-1200000	VERTICAL COLUMN	1
3	C-01-1300000	SWING ARM	1
4	CT-F-3111100	AIR REGULATOR ASSEMBLY	1
5	CT-Q-5000000	ROTATING UNION	1
6	CT-Q-6000000	CLAMP RING	1
7	CT-Y-1600000	TURNTABLE ASSEMBLY	1
8	CT-DJ-0334122	MOTOR (380V, 50Hz, 3P, 0. 75Kw)	1
9	CT-J-3100000	GEARBOX ASSEMBLY (USED WITH 50HZ MOTOR)	1
10	CT-J-1100000	GEARBOX ASSEMBLY (USED WITH 60HZ MOTOR)	1
11	CT-LS-1400000	BEAD BREAKER CYLINDER ASSEMBLY	1
12	CT-B-4000000	BEAD BREAKING ARM ASSEMBLY	1
13	CT-C-3100000	BEAD BREAKER BLADE	1
14	CT-P-6000000	INFLATING GUN ASSY	1
15	CT-D-1300000	PEDAL ASSEMBLY	1
16	C-54-1400000	HANDLE WHEEL	1
17	C-7C-1000007	ROTATION SPINDLE	1
18	C-01-1000001	SIDE PANEL	1
19	C-54-1000016	RUBBER WASHER	1
20	CT-DJ-0000007	BELT (USED WITH 50HZ MOTOR)	1
21	CT-DJ-0000008	BELT (USED WITH 60HZ MOTOR)	1
22	C-54-1000012	PRESS COVER	1
23	TC-40-1200022	RUBBER COVER	1
24	C-54-1000032	ADJUSTING WASHER	1
25	C-01-1000002	ROCKER VERTICAL SHAFT	1
26	C-54-1000009	SHAFT WASHER	1
27	C-54-1000005	RUBBER FOOT	4
28	C-54-1000023	PLUG A	2
29	C-54-1000028	PLUG B	1
30	C-71-1000024	INFLATING GUN HOOK	1
31	C-54-1000013	SEALED COVER	1
32	C-01-100000B	CIRCLIP	1
33	C-5B-1000002	PROTECTIVE COVER	1
34	C-54-1000010	SCREWS M14X42	2
35	C-7C-1000008	RIM SUPPORT	1
36	C-61-1000003	HELPER RUBBE PLUG	1
37	C-71-1000027	HELPER RUBBE PLUG	1
38	GB889. 1-M16	1-TYPE PREVAILING TORQUE TYPE HEXAGON LOCK NUT	1
39	GB95-6	FLAT WASHER	9
40	GB70. 1-M6×16	INNER HEXA CYLINDRICAL SCREW	5

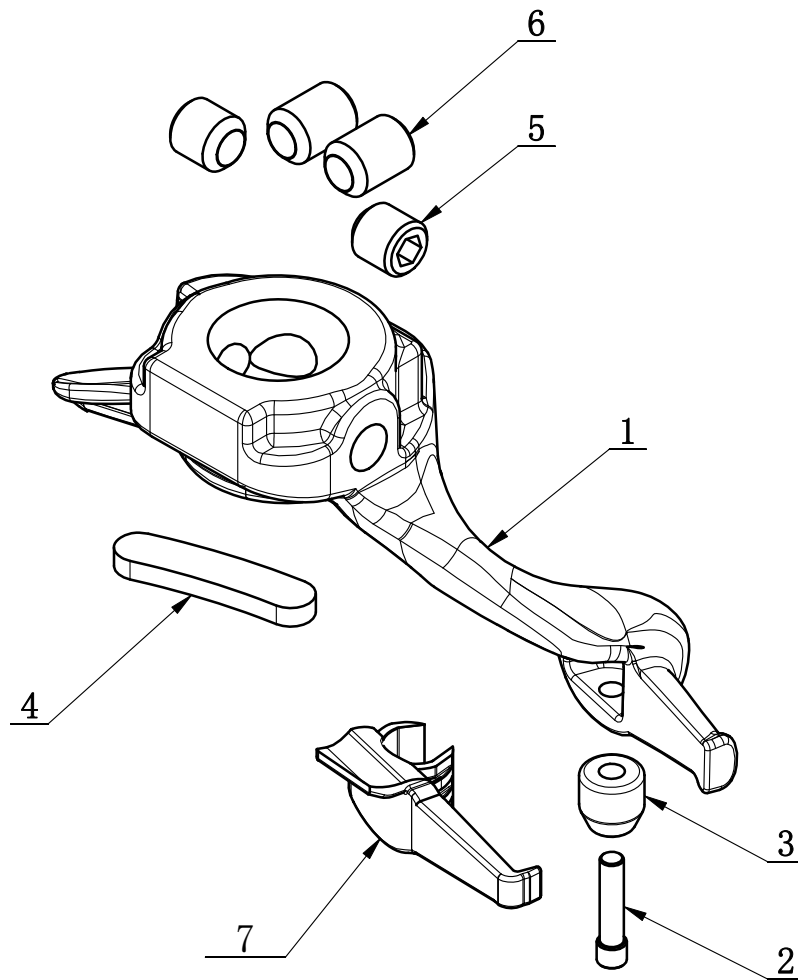
ITEM	PART. No	DESCRIPTION.	QT. Y
41	GB6172. 1-M14	HEXANGULAR THIN NUT	2
42	GB861. 1-14	INNER TOOTH LOCK WASHES	2
43	GB955-14	WAVE-FORM SPRING WASHER	1
44	GB79-M6×20	INNER HEXA CYLINDRICAL TERMINUS SET SCREW	1
45	GB93-6	STANDARD SPRING WASHER	1
46	GB41-M6	HEXANGULAR NUT	1
47	GB882-18×100	PIN SHAFT	1
48	GB95-12	FLAT WASHER	4
49	GB93-12	STANDARD SPRING WASHER	4
50	GB5783-M12×30	HEXANGULAR BOLT	4
51	GB1096-C12×8×45	COMMON FLAT KEY	1
52	GB95-10	FLAT WASHER	14
53	GB41-M10	HEXANGULAR NUT	14
54	GB5782-M10×200-8. 8	BOLT M10×200	4
55	GB96. 1-10	LARGE WASHER A GRADE	6
56	GB5782-M10×160-8. 8	BOLT M10×160	2
57	GB95-5	FLAT WASHER	2
58	GB5783-M5×16	HEXANGULAR BOLT	1
59	GB41-M8	HEXANGULAR NUT	1
60	GB70. 1-M6×20	INNER HEXA CYLINDRICAL SCREW	4
61	GB70. 1-M12×30	INNER HEXA CYLINDRICAL SCREW	1
62	GB70. 1-M6×25	INNER HEXA CYLINDRICAL SCREW	6
63	GB889. 2-M18×1. 5	NUT M18×1. 5	1
64	GB95-8	FLAT WASHER	2
65	GB93-8	STANDARD SPRING WASHER	3
66	GB5783-M8×20	HEXANGULAR BOLT	2
67	GB70. 1-M5×10	INNER HEXA CYLINDRICAL SCREW	2
68	GB70. 1-M8×30	INNER HEXA CYLINDRICAL SCREW	1
69	C-01-1000006	COVER CAP	6
70	C-01-1000004	THE FACE	1



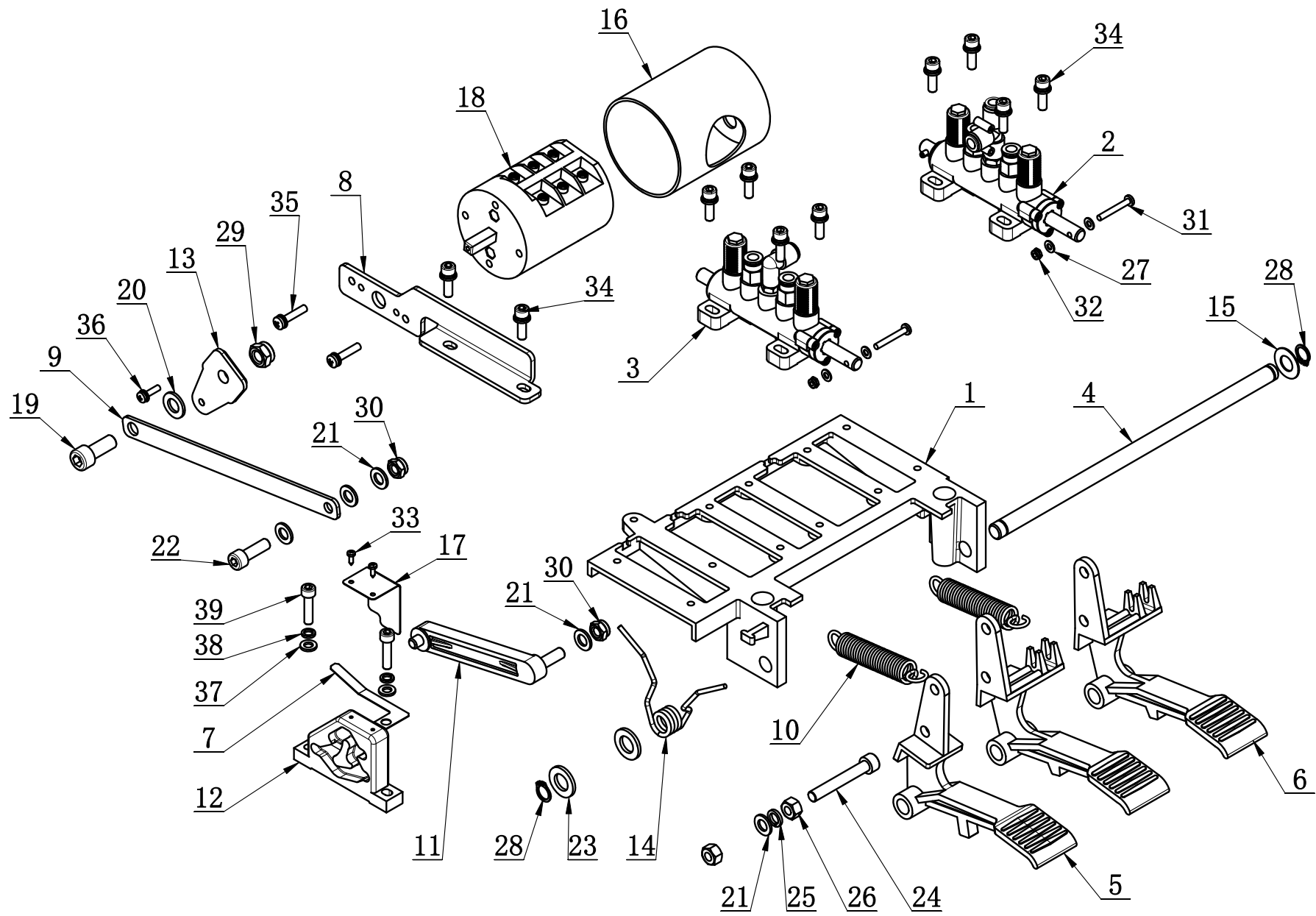
C-01-1300000

ITEM	PART. No	DESCRIPTION.	QT. Y
1	C-01-1310000	SWING ARM	1
2	C-54-1320000	LOCK HANDLE	1
3	C-01-1300001	VERTICAL SHAFT SPRING	1
4	C-01-1300002	HEXAGON SHAFT	1
5	C-01-1300003	DECORATING COVER	1
6	C-54-1300008	PRESS WASHER	1
7	C-54-1300007	SHOCK ABSORBER WASHER	1
8	C-01-1300004	COIL SPRING	1
9	C-01-1300005	HEXAGON LOCK PLATE	1
10	C-71-1300006	VERTICAL SHAFT COVER	1
11	C-54-0001000	DEMOUNTING HEAD ASSEMBLY	1
12	TC-40-1200022	RUBBER COVER	1
13	C-54-1300013	ADJUSTING WASHER	1
14	GB70. 1-M10×30	INNER HEXA CYLINDRICAL SCREW	1
15	GB894. 1-25	SHAFT ELATIC BIG RETAINING RING A-TYPE	1
16	GB93-10	STANDARD SPRING WASHER	1
17	GB5783-M10×25-12. 9	HEXANGULAR BOLT	1
18	GB95-10	FLAT WASHER	2
19	GB41-M10	HEXANGULAR NUT	1
20	GB889. 1-M10	1-TYPE PREVAILING TORQUE TYPE HEXAGON LOCK NUT	2
21	GB70. 1-M10×70	INNER HEXA CYLINDRICAL SCREW	1

C-54-0001000

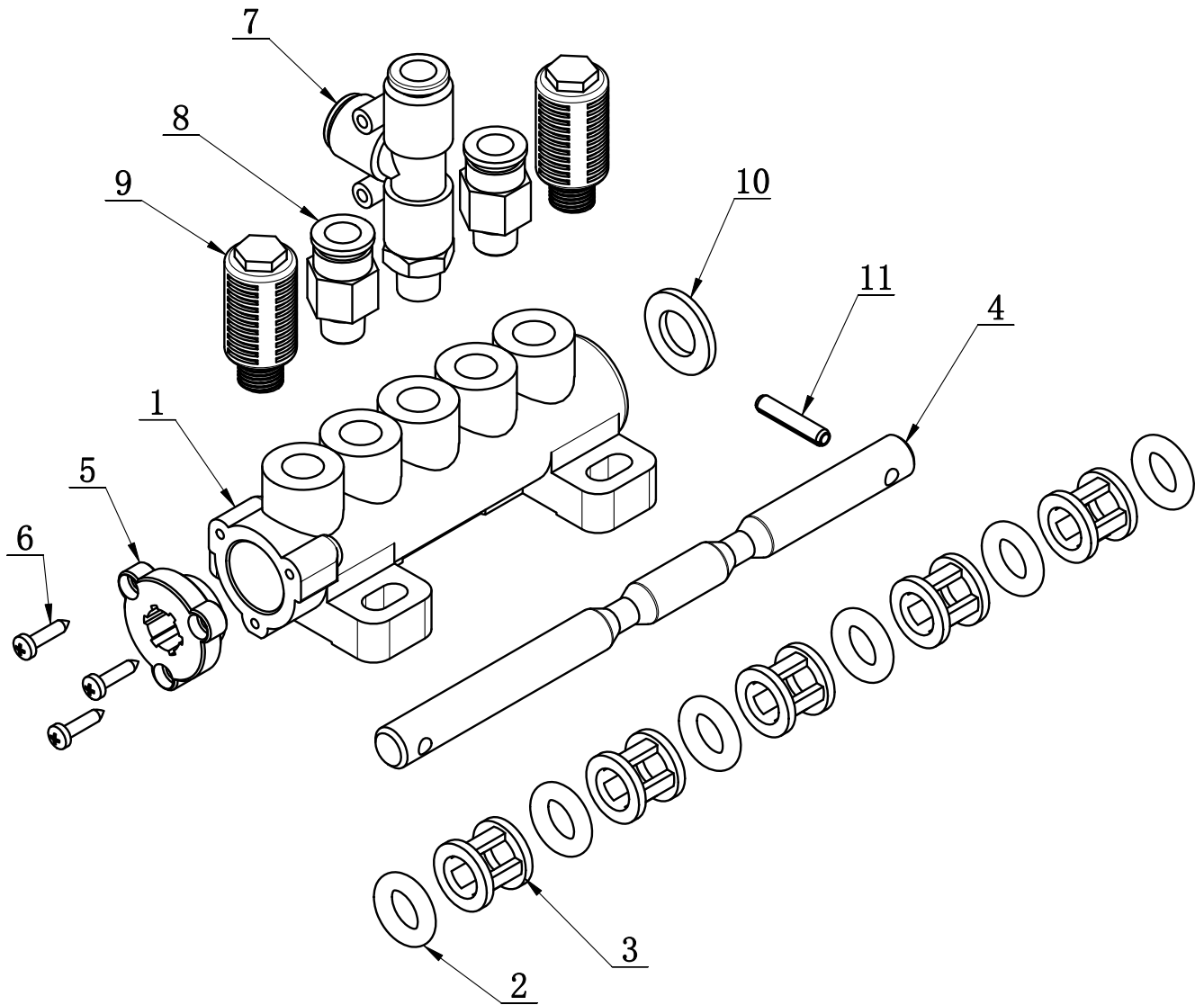


ITEM	PART. No	DESCRIPTION.	QT. Y
1	C-54-1300004	DEMOUNTING HEAD	1
2	C-54-1300006	ROLLER BOLT	1
3	C-54-1300009	ROLLER	1
4	C-54-8000007	TOOL HEAF TAIL WASHER	1
5	GB80-M12×12	INNER HEXA RECESSED TERMINUS SET SCREW	2
6	GB80-M12×16	INNER HEXA RECESSED TERMINUS SET SCREW	2
7	C-54-1300014	SHEATH	1



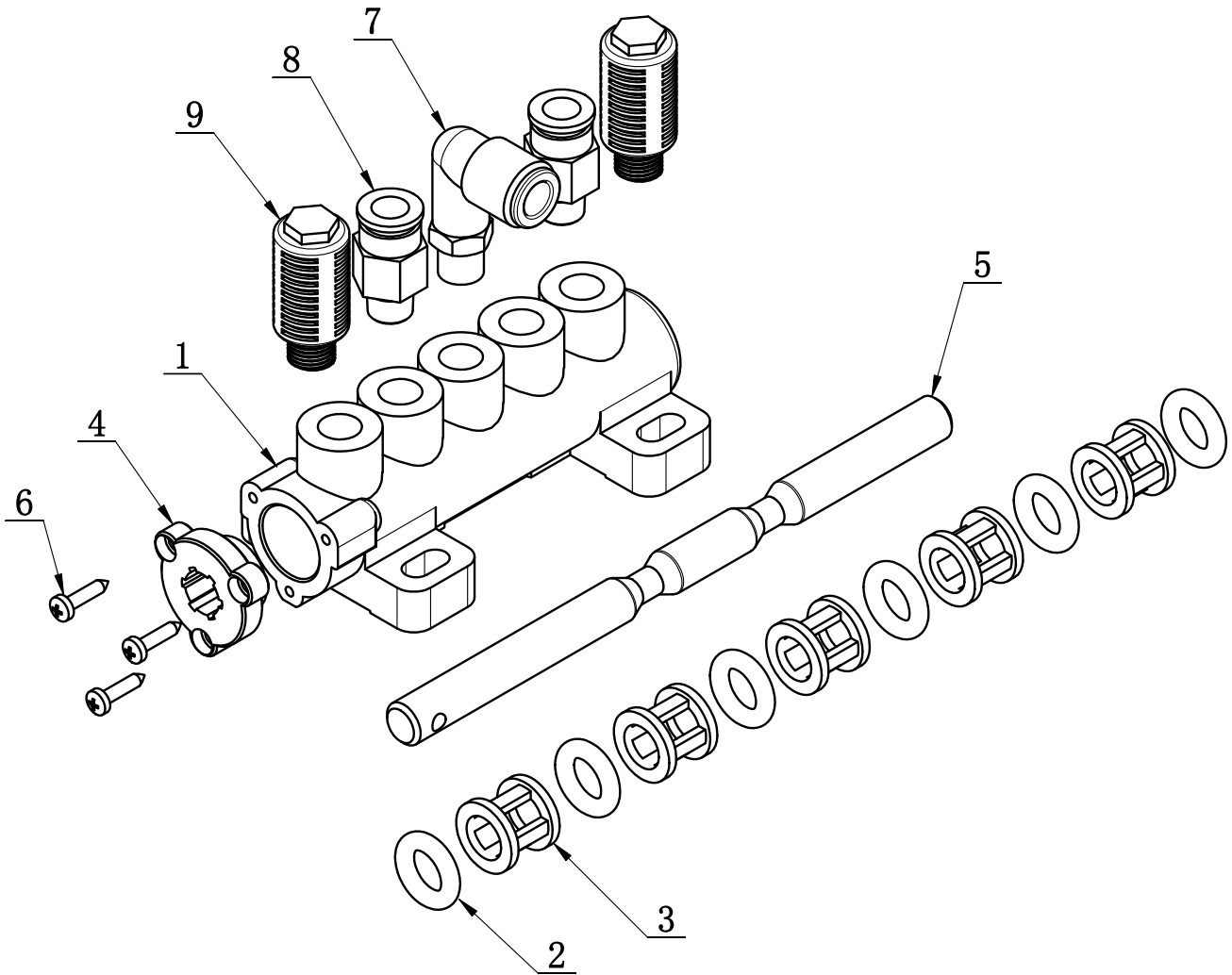
ITEM	PART. No	DESCRIPTION.	QT. Y
1	CT-D-1100003	PEDAL SUPPORT	1
2	CT-D-0001000	VALVE	1
3	CT-D-0003000	VALVE	1
4	CT-D-1100004	BOTTOM SHAFT	1
5	CT-D-1100001	PEDAL	1
6	CT-D-1100002	PEDAL	2
7	CT-D-1100013	SPRING	1
8	CT-D-1100005B	SWITCH BASE PLATE	1
9	CT-D-1100006A	SWITCH CONNECTING PLATE	1
10	CT-D-1100007	SPRING	2
11	CT-D-1100008	CAM CONNECTING ROD	1
12	CT-D-1100009B	CAM	1
13	CT-D-1100010	REVERSE LEVER	1
14	CT-D-1100012	TORSION SPRING	1
15	CT-D-1100015	WASHER	1
16	CT-D-1100014	SWITCH COVER	1
17	CT-D-1100011A	CAM BAFFLE PLATE	1
18	CT-D-1100018	SWITCH	1
19	GB70. 1-M10×25	INNER HEXA CYLINDRICAL SCREW	1
20	GB95-10	FLAT WASHER	1
21	GB95-8	FLAT WASHER	5
22	GB70. 1-M8×25	INNER HEXA CYLINDRICAL SCREW	1
23	GB95-12	FLAT WASHER	2
24	GB70. 1-M8×55	INNER HEXA CYLINDRICAL SCREW	1
25	GB93-8	STANDARD SPRING WASHER	1
26	GB41-M8	HEXANGULAR NUT	2
27	GB95-4	FLAT WASHER	4
28	GB894. 1-12	SHAFT ELATIC BIG RETAINING RING A-TYPE	2
29	GB889. 1-M10	1-TYPE PREVAILING TORQUE TYPE HEXAGON LOCK NUT	1
30	GB889. 1-M8	1-TYPE PREVAILING TORQUE TYPE HEXAGON LOCK NUT	2
31	GB818-M4×30-H	CROSS PANHEAD SCREW	2
32	GB889. 1-M4	1-TYPE PREVAILING TORQUE TYPE HEXAGON LOCK NUT	2
33	GB845-ST2. 9×9. 5 H C	CROSS PANHEAD TAPPING SCREW	2
34	GB9074-M6×20	COMBINATION SCREW	10
35	GB9074. 4-M5×25	COMBINATION SCREW	2
36	GB9074. 4-M4×16	COMBINATION SCREW	1
37	GB95-6	FLAT WASHER	2
38	GB93-6	STANDARD SPRING WASHER	2
39	GB70. 1-M6×25	INNER HEXA CYLINDRICAL SCREW	2

CT-D-0001000

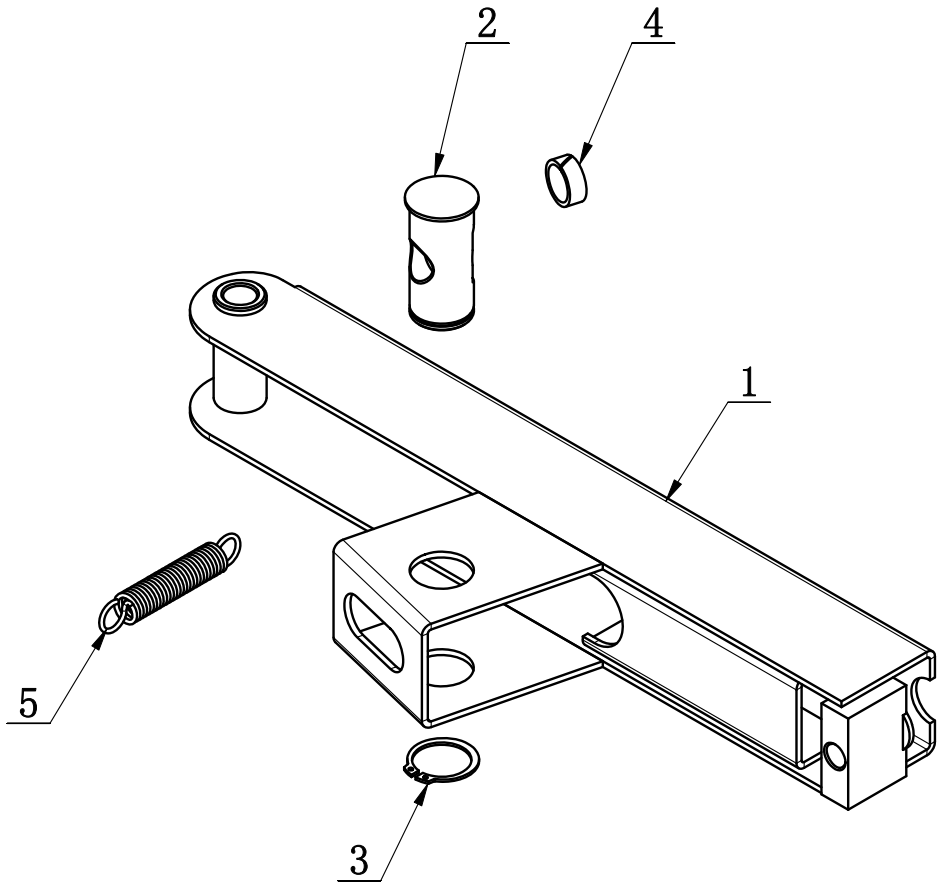


ITEM	PART. No	DESCRIPTION.	QT. Y
1	CT-D-1110001	VALVE BODY	1
2	CT-D-1110003	O-RING	6
3	CT-D-1110004	SPACER	5
4	CT-D-1110002	VALVE STEM	1
5	CT-D-1110005	VALVE CAP	1
6	GB845-ST2.9×13 H C	CROSS PANHEAD TAPPING SCREW	3
7	FPD 8-01	MALE RUN TEE	1
8	FPC 8-01	MALE STRAIGHT	2
9	FSK 01	PLASTIC PARTICLE SILENCER	2
10	GB95-10	FLAT WASHER	1
11	GB879. 1-4×20	ELASTIC CYLINDRICAL PIN, HEAVY	1

CT-D-0003000

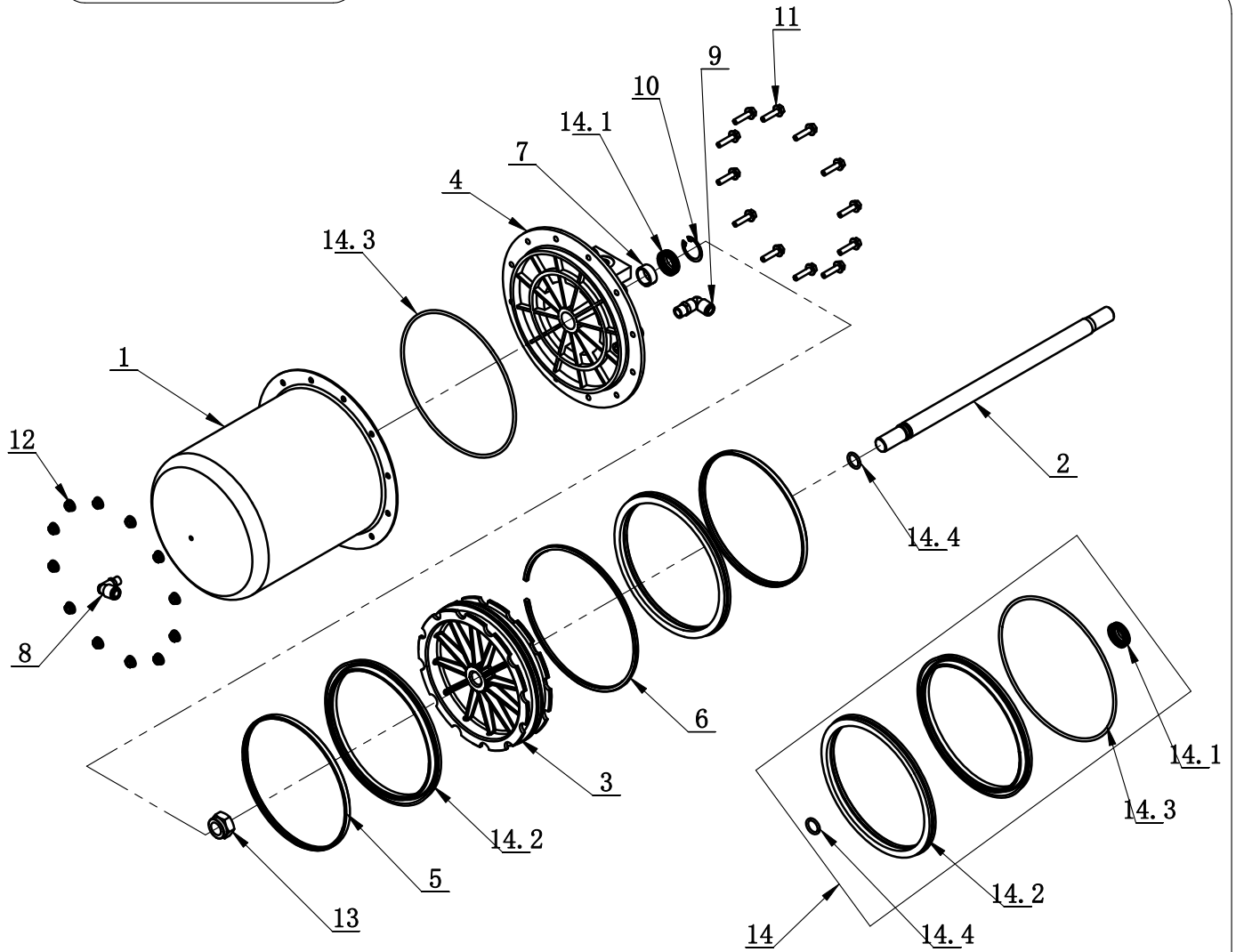


ITEM	PART. No	DESCRIPTION.	QT. Y
1	CT-D-1110001	VALVE BODY	1
2	CT-D-1110003	O-RING	6
3	CT-D-1110004	SPACER	5
4	CT-D-1110005	VALVE CAP	1
5	CT-D-1120001	VALVE STEM	1
6	GB845-ST2.9×13 H C	CROSS PANHEAD TAPPING SCREW	3
7	FPL 8-01	INSERT ELBOW $\Phi 8$ , R1/8	1
8	FPC 8-01	MALE STRAIGHT	2
9	FSK 01	PLASTIC PARTICLE SILENCER	2



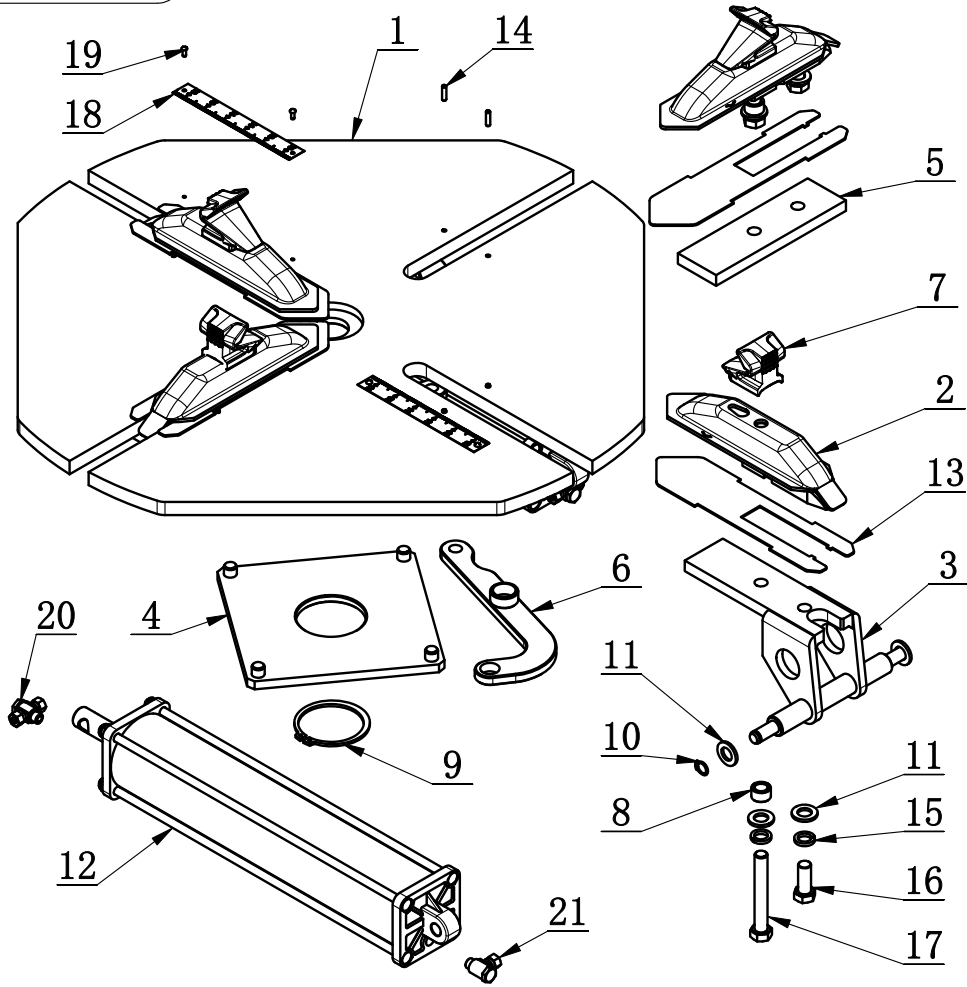
ITEM	PART. No	DESCRIPTION.	QT. Y
1	CT-B-4100000	BEAD BREAKING ARM ASSEMBLY	1
2	CT-B-4000001	BEAD BREAKING ARM SLIDE BUSHING	1
3	GB894. 1-34	SHAFT ELATIC BIG RETAINING RING A-TYPE	1
4	CT-B-2000001	SLIDE SPACER	1
5	CT-B-4000003	SPRING	1

CT-LS-1400000



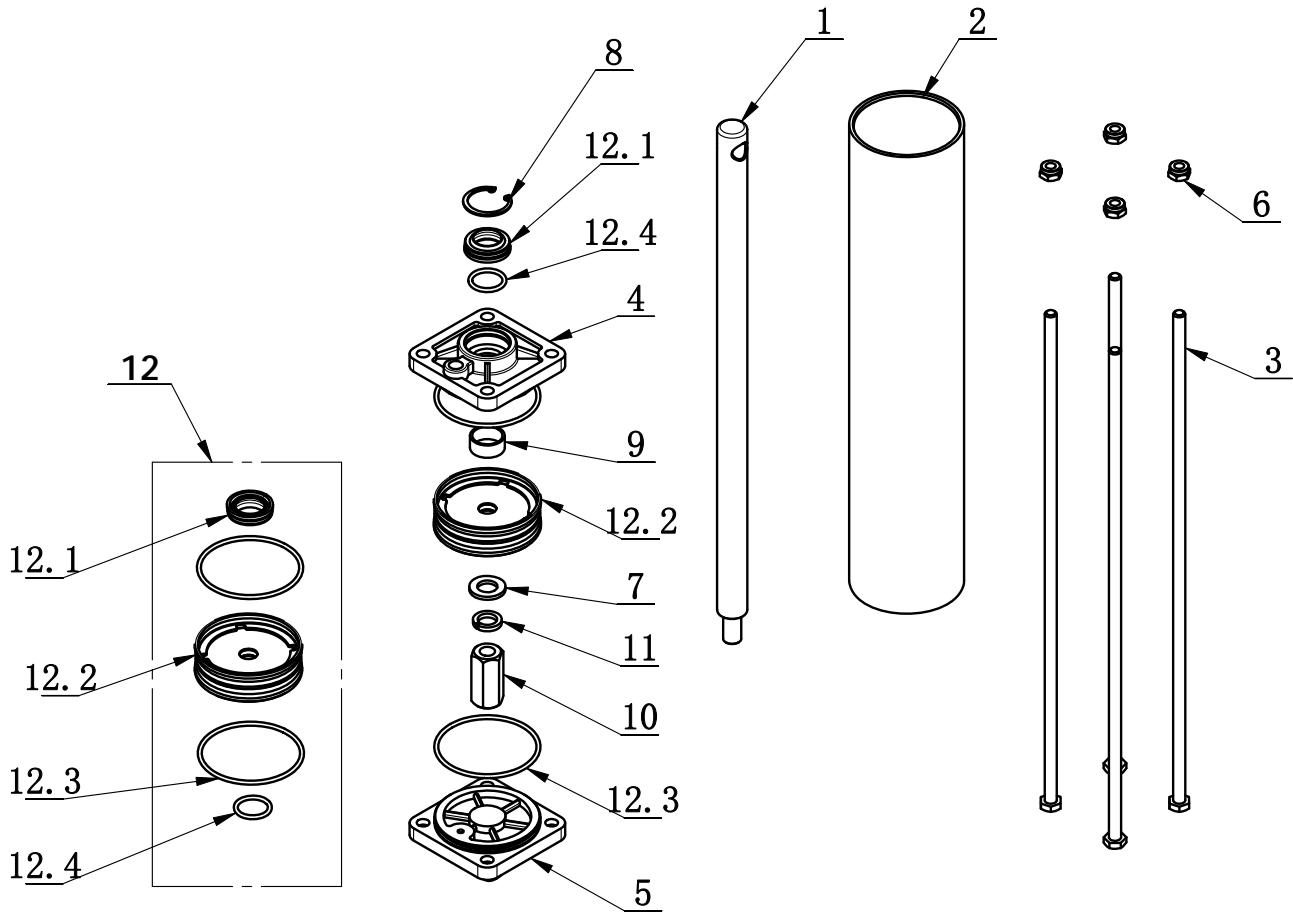
ITEM	PART. No	DESCRIPTION.	QT. Y
1	CT-LS-1100002	CYLINDER BODY	1
2	CT-LS-1100001	CYLINDER PISTON ROD	1
3	CT-LS-1100003	PISTON	1
4	CT-LS-1100004	CYLINDER COVER	1
5	CT-LS-1100006	CLAMP RING	2
6	CT-LS-1100007	PISTON SUPPORT RING	1
7	CT-LS-1100008	GUIDER SPACER	1
8	FPL 8-01	INSERT ELBOW $\Phi 8, R1/8$	1
9	FPL 8-02	INSERT ELBOW $\Phi 8, R1/4$	1
10	GB893. 2-30	ELASTIC RETAINING RING B-TYPE	1
11	GB5789-AM6 $\times$ 25	HEXA FLANGE BOLT	12
12	GB6177. 1-M6	HEXA FLANGE NUT	12
13	GB889. 2-M18 $\times$ 1. 5	NUT M18 $\times$ 1. 5	1
14	CT-LS-1110000	CYLINDER SEALING PARTS ASSEMBLY	1
14. 1	CT-Y-0160007	SEAL-ROD, CYLNDR	1
14. 2	CT-LS-1100009	Y-RING	2
14. 3	GB3452. 1-185 $\times$ 3. 55-G	O-RING G TYPE	1
14. 4	GB3452. 1-15. 5 $\times$ 2. 65-G	HYDRAULIC-PNEUMATIC RUBBER O-RING G TYPE	1

CT-Y-1600000

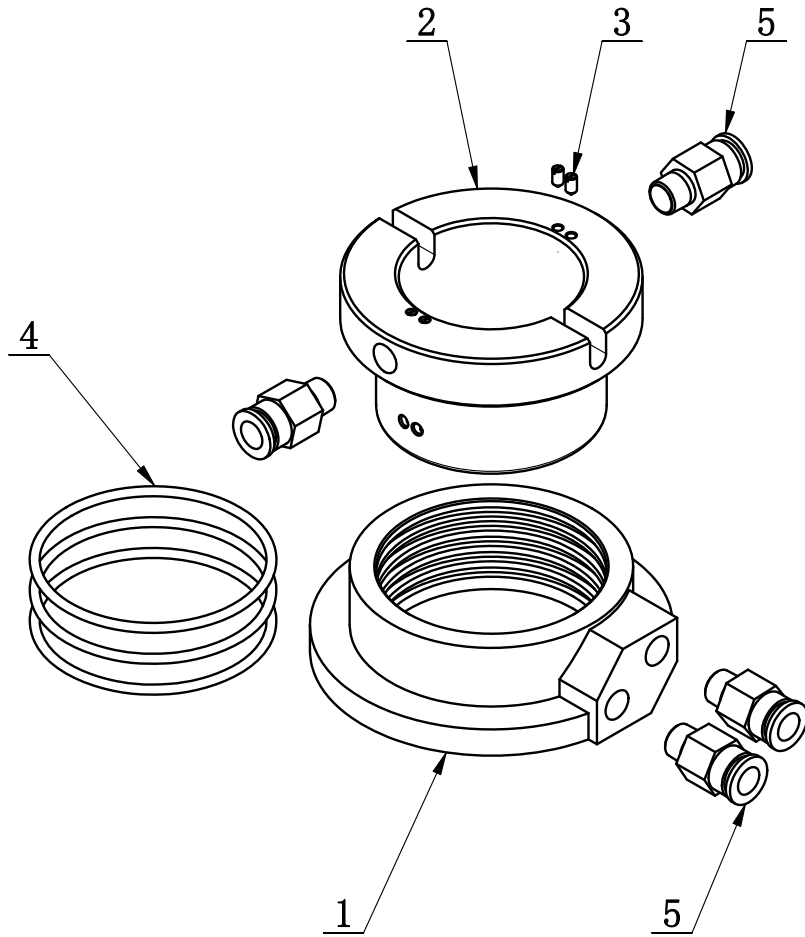


ITEM	PART. No	DESCRIPTION.	QT. Y
1	CT-Y-1610000	TURNTABLE	1
2	CT-Y-0710000	SLIDE COVER	4
3	CT-Y-1140000	BRACKET-CYLINDER	2
4	CT-Y-0150000	SQUARE TURNTABLE	1
5	CT-Y-1100001	PRESS BOARD	2
6	CT-Y-1150000	CONNECTION PLATE	4
7	CT-Y-0100002	CLAMP	4
8	CT-Y-0100003	SPACER	4
9	GB894. 1-65	SHAFT ELATIC BIG RETAINING RING A-TYPE	1
10	GB894. 1-12	SHAFT ELATIC BIG RETAINING RING A-TYPE	4
11	GB95-12	FLAT WASHER	12
12	CT-Y-1430000	CYLINDER ASSEMBLY	2
13	CT-Y-1400001	WEARABLE WASHER	4
14	GB879. 1-4×16	ELASTIC CYLINDRICAL PIN, HEAVY	8
15	GB93-12	STANDARD SPRING WASHER	8
16	GB5783-M12×30	HEXANGULAR BOLT	4
17	GB5782-M12×85	HEXANGULAR BOLT	4
18	CT-Y-1600001	SCALE	2
19	GB827-3×8	LABEL RIVET	4
20	CT-Y-0100008	HINGE ELBOW Φ8 G1/8	2
21	CT-Y-0100006	HINGE ELBOW Φ8 G1/8	2

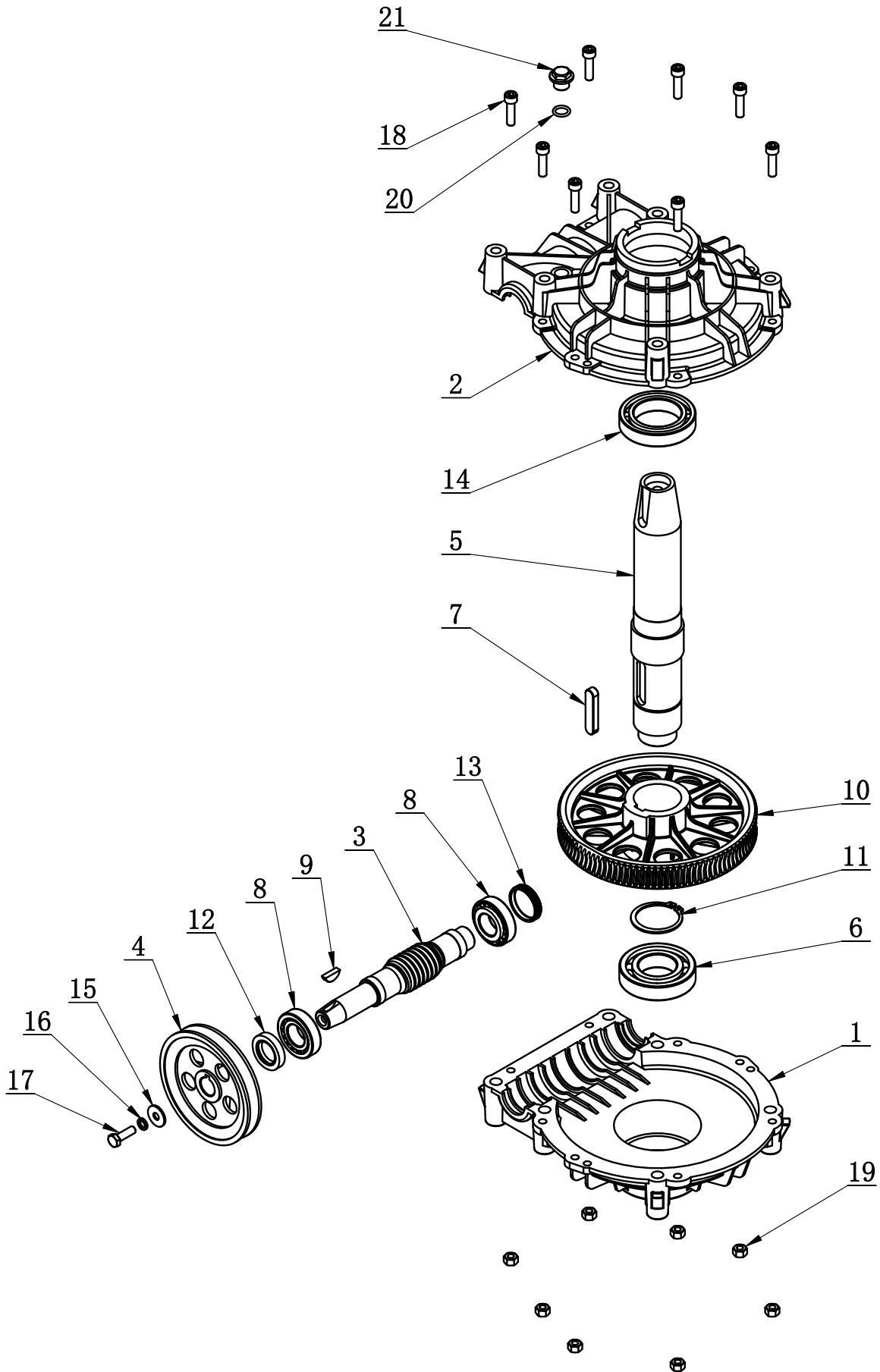
CT-Y-1430000



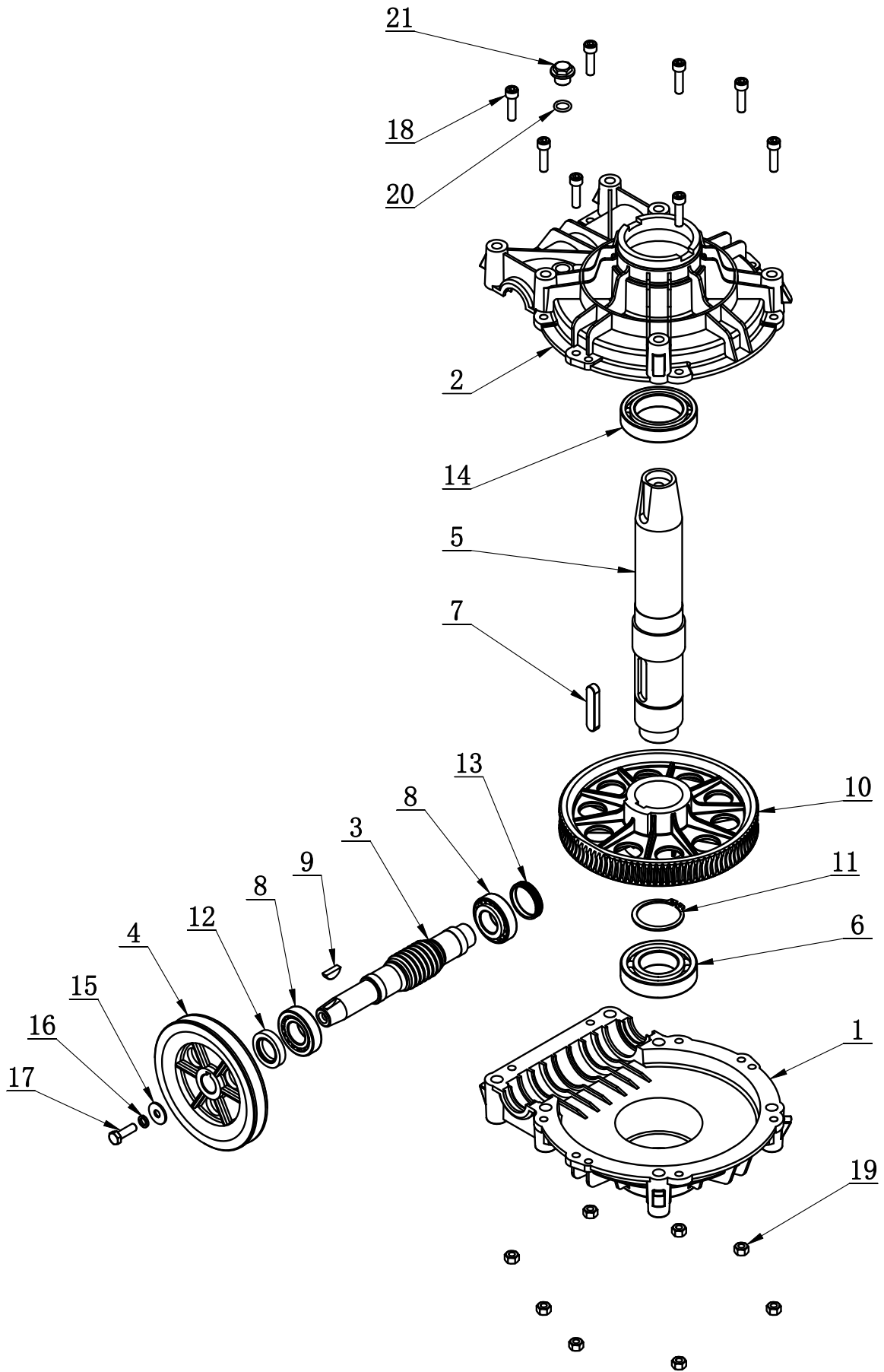
ITEM	PART. No	DESCRIPTION.	QT. Y
1	CT-Y-1120001	SHAFT-CYLNDR	1
2	CT-Y-1120002	SLEEVE-CYLNDR 70	1
3	CT-Y-1120003	BOLT	4
4	CT-Y-0160002	FRONT COVER	1
5	CT-Y-0160003	REAR COVER	1
6	GB889. 1-M8	1-TYPE PREVAILING TORQUE TYPE HEXAGON LOCK NUT	4
7	GB95-12	FLAT WASHER	1
8	GB893. 1-30	ELASTIC RETAINING RING A-TYPE	1
9	GB12613-23×20×10	BEARING-SLIDE	1
10	CT-Y-1430001	AN ELONGATED NUT	1
11	GB93-12	STANDARD SPRING WASHER	1
12	CT-Y-1121000	CYLINDER SEALING PARTS ASSEMBLY	1
12.1	CT-Y-0160007	SEAL-ROD, CYLNDR	1
12.2	CT-Y-0161000	PISTON	1
12.3	GB3452. 1-65×2. 65-G	HYDRAULIC-PNEUMATIC RUBBER O-RING G TYPE	2
12.4	GB3452. 1-20×2. 65-G	HYDRAULIC-PNEUMATIC RUBBER O-RING G TYPE	1



ITEM	PART. No	DESCRIPTION.	QT. Y
1	CT-Q-1000001	AIR GUIDE EXTERNAL BUSHING	1
2	CT-Q-1000002	AIR GUIDE ROTATION BUSHING	1
3	GB71-M3×6	SLOTTED CONIC HEAD SET SCREW	4
4	GB3452. 1-60×2. 65-G	HYDRAULIC-PNEUMATIC RUBBER O-RING G TYPE	3
5	FPC 8-01	MALE STRAIGHT	4

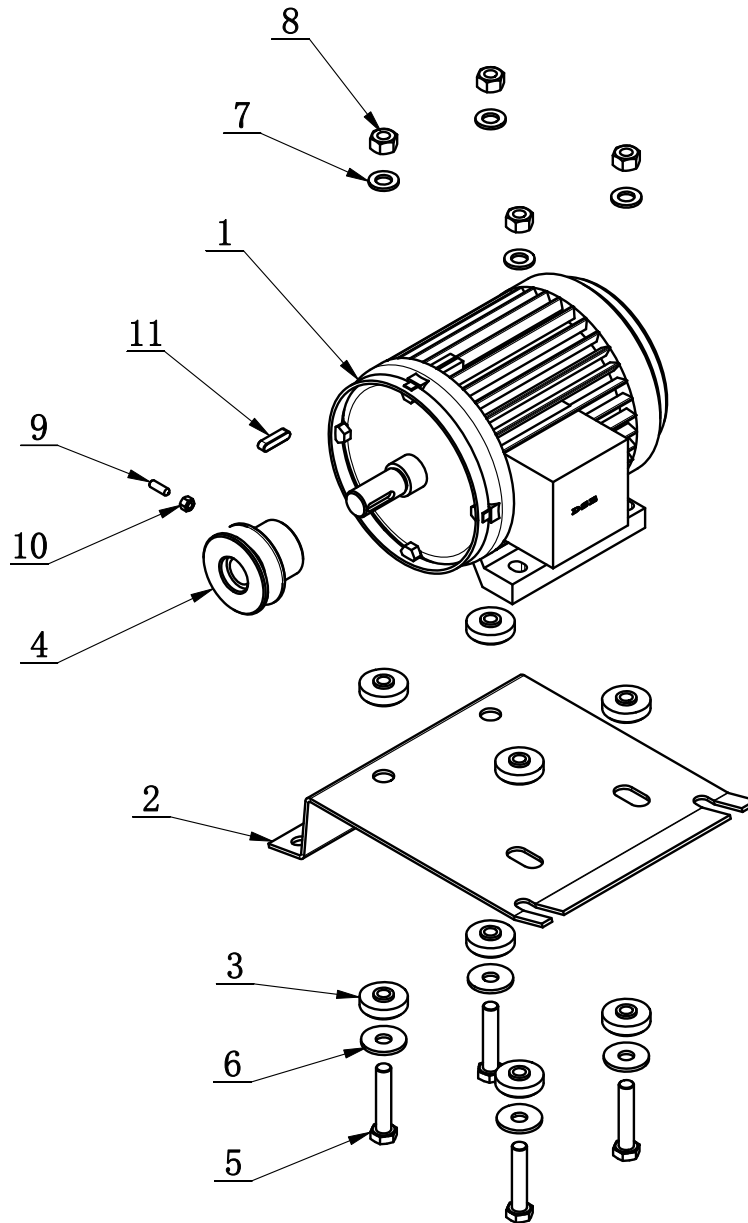


ITEM	PART. No	DESCRIPTION.	QT. Y
1	CT-J-0000005	GEARBOX	1
2	CT-J-0000006	GEARBOX TOP	1
3	CT-J-0000004	WORM ROD	1
4	CT-J-0000008	BELT PULLEY	1
5	CT-J-0000001	WORM SHAFT	1
6	GB276-6208	BEARING	1
7	GB1096-12×8×56	COMMON FLAT KEY	1
8	GB297-30205	BEARING	2
9	GB1099. 1-6×9×22	COMMON SEMI-CIRCULAR KEY	1
10	CT-J-0000003	WORM	1
11	GB894. 1-50	RETAINING RING A-TYPE	1
12	FB25-40 GB13871. 92	SEALED RING	1
13	CT-J-0100000	CAP	1
14	GB276-6010	DEEP GROOVE BALL BEARINGS	1
15	GB96. 2-8	LARGE WASHER C GRADE	1
16	GB93-8	STANDARD SPRING WASHER	1
17	GB5783-M8×25	HEXANGULAR BOLT	1
18	GB70. 1-M8×30	INNER HEXA CYLINDRICAL SCREW	8
19	GB41-M8	HEXANGULAR NUT	8
20	GB3452. 1-13. 2×2. 65-G	HYDRAULIC-PNEUMATIC RUBBER O-RING G TYPE	1
21	TC-10-1400013	BOLT	1

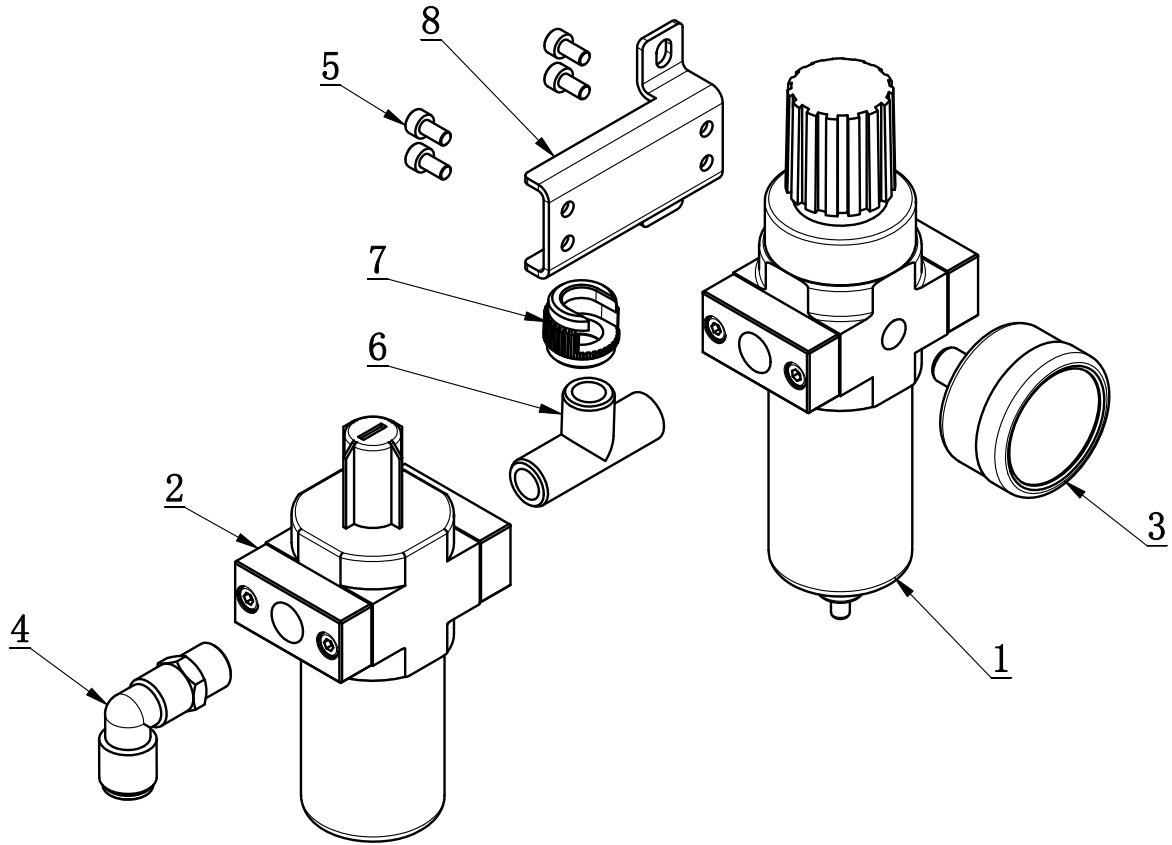


ITEM	PART. No	DESCRIPTION.	QT. Y
1	CT-J-0000005	GEARBOX	1
2	CT-J-0000006	GEARBOX TOP	1
3	CT-J-0000004	WORM ROD	1
4	CT-J-0000007	BELT PULLEY	1
5	CT-J-0000001	WORM SHAFT	1
6	GB276-6208	BEARING	1
7	GB1096-12×8×56	COMMON FLAT KEY	1
8	GB297-30205	BEARING	2
9	GB1099. 1-6×9×22	COMMON SEMI-CIRCULAR KEY	1
10	CT-J-0000003	WORM	1
11	GB894. 1-50	RETAINING RING A-TYPE	1
12	FB25-40 GB13871. 92	SEALED RING	1
13	CT-J-0100000	CAP	1
14	GB276-6010	DEEP GROOVE BALL BEARINGS	1
15	GB96. 2-8	LARGE WASHER C GRADE	1
16	GB93-8	STANDARD SPRING WASHER	1
17	GB5783-M8×25	HEXANGULAR BOLT	1
18	GB70. 1-M8×30	INNER HEXA CYLINDRICAL SCREW	8
19	GB41-M8	HEXANGULAR NUT	8
20	GB3452. 1-13. 2×2. 65-G	HYDRAULIC-PNEUMATIC RUBBER O-RING G TYPE	1
21	TC-10-1400013	BOLT	1

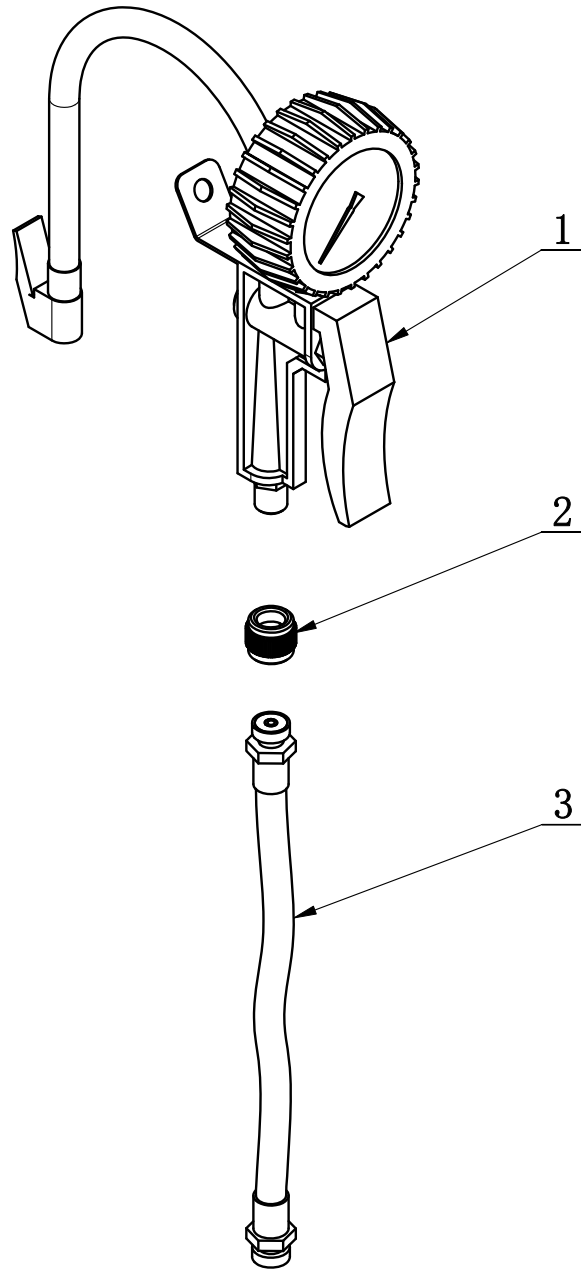
CT-DJ-0334122



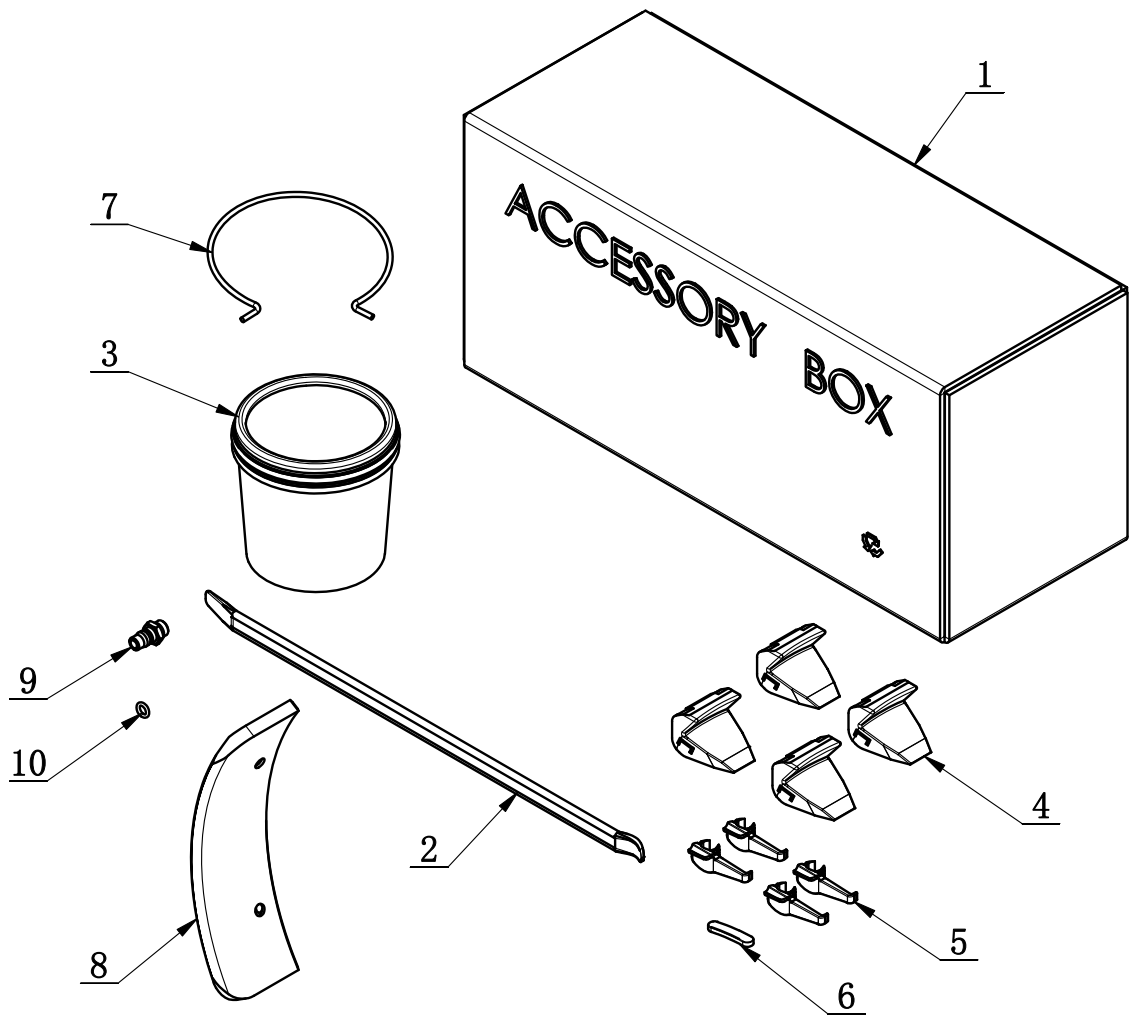
ITEM	PART. No	DESCRIPTION.	QT. Y
1	CT-DJ-0034122	MOTOR (380V, 50Hz, 3P, 0.75Kw)	1
2	CT-DJ-0000001	MOTOR SUPPORT	1
3	CT-DJ-0000002	RUBBER WASHER	8
4	CT-DJ-0000004	PULLEY	1
5	GB5783-M10×50	HEXANGULAR BOLT	4
6	GB96. 1-10	LARGE WASHER A GRADE	4
7	GB95-10	FLAT WASHER	4
8	GB41-M10	HEXANGULAR NUT	4
9	GB78-M5×16	INNER HEXA CONIC TERMINUS SET SCREW	1
10	GB41-M5	HEXANGULAR NUT	1
11	GB1096-6×6×25	COMMON FLAT KEY	1



ITEM	PART. No	DESCRIPTION.	QT. Y
1	CT-F-3000010	WATER CPU	1
2	CT-F-3000020	OIL CPU	1
3	CT-F-2000003	PRESSURE GAUGE	1
4	FPL 8-02	INSERT ELBOW $\Phi 8$ , R1/4	1
5	GB70. 1-M4 $\times$ 8	INNER HEXA CYLINDRICAL SCREW	4
6	PEH 02-02	FAMALE UNION TEE	1
7	C-01-1500004	OPEN NUT	1
8	CT-F-2000009	AIR REGULATOR BRACKET	1



ITEM	PART. No	DESCRIPTION.	QT. Y
1	CT-P-6000001	INFLATING GUN	1
2	C-01-1500004	OPEN NUT	1
3	CT-P-1000002	INFLATION HOSE	1



ITEM	PART. No	DESCRIPTION.	QT. Y
1	C-54-8000002	ACCESSORY BOX	1
2	C-54-8000003	20INCH CROWBAR	1
3	C-54-8100000	GREASE CONTAINER	1
4	C-54-8000005	CLAMP PROTECTION COVER	4
5	C-54-1300014	SHEATH	4
6	C-54-8000007	TOOL HEAF TAIL WASHER	1
7	C-54-8000004	BRACKET	1
8	C-90-1000013	BEAD BREAKER BLADE COVER	1
9	C-54-8000011	AIR SUPPLY CONNECTOR	1
10	GB3452. 1-8×2. 65-A	HYDRAULIC-PNEUMATIC RUBBER O-RING A TYPE	1