

IV. EXPLOSIVE VIEW

Model 414, 414E, 418

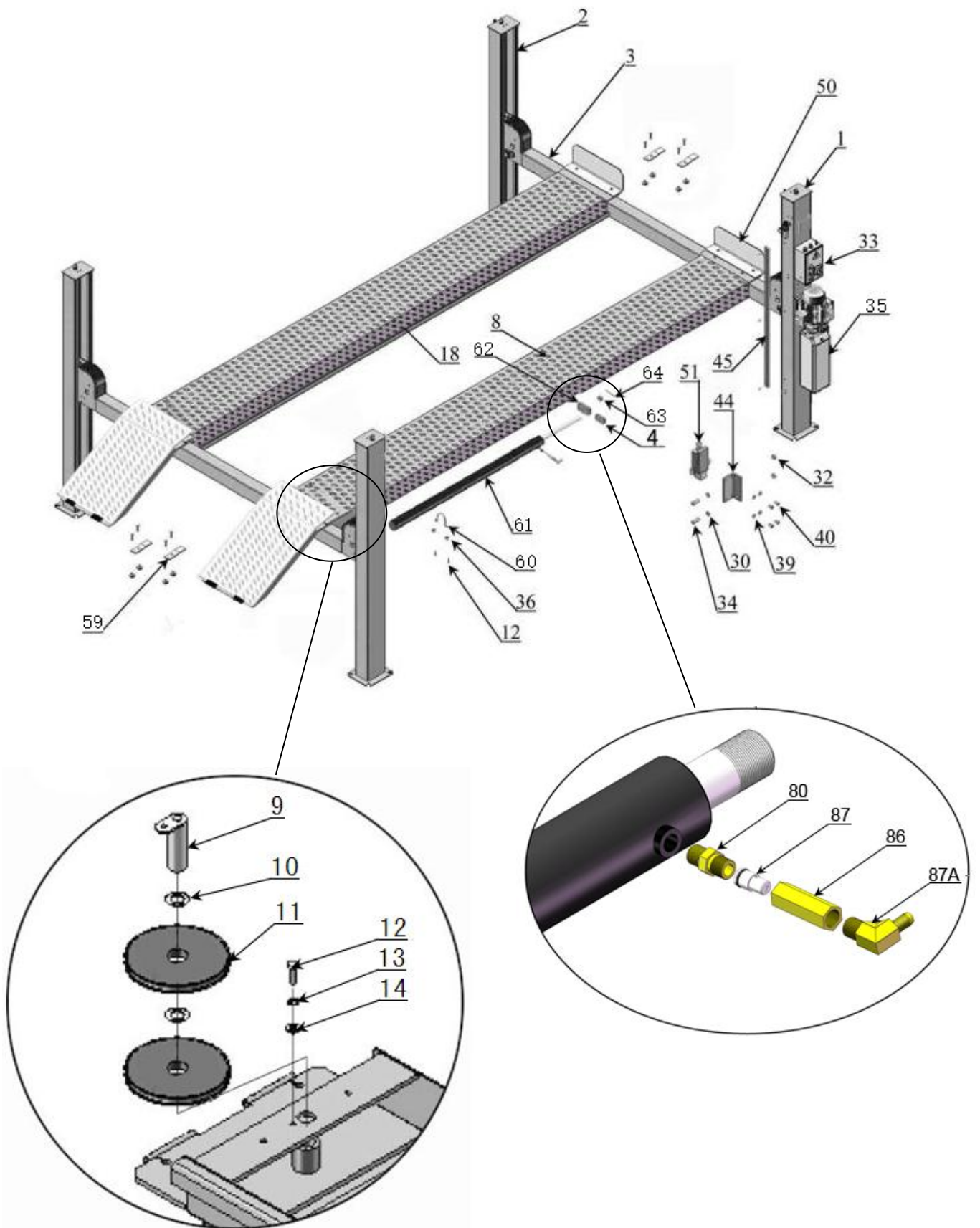


Fig. 54

Model 414A, 414AE,418A

Optional turnplates (put adjusting block to each side when install turnplate)

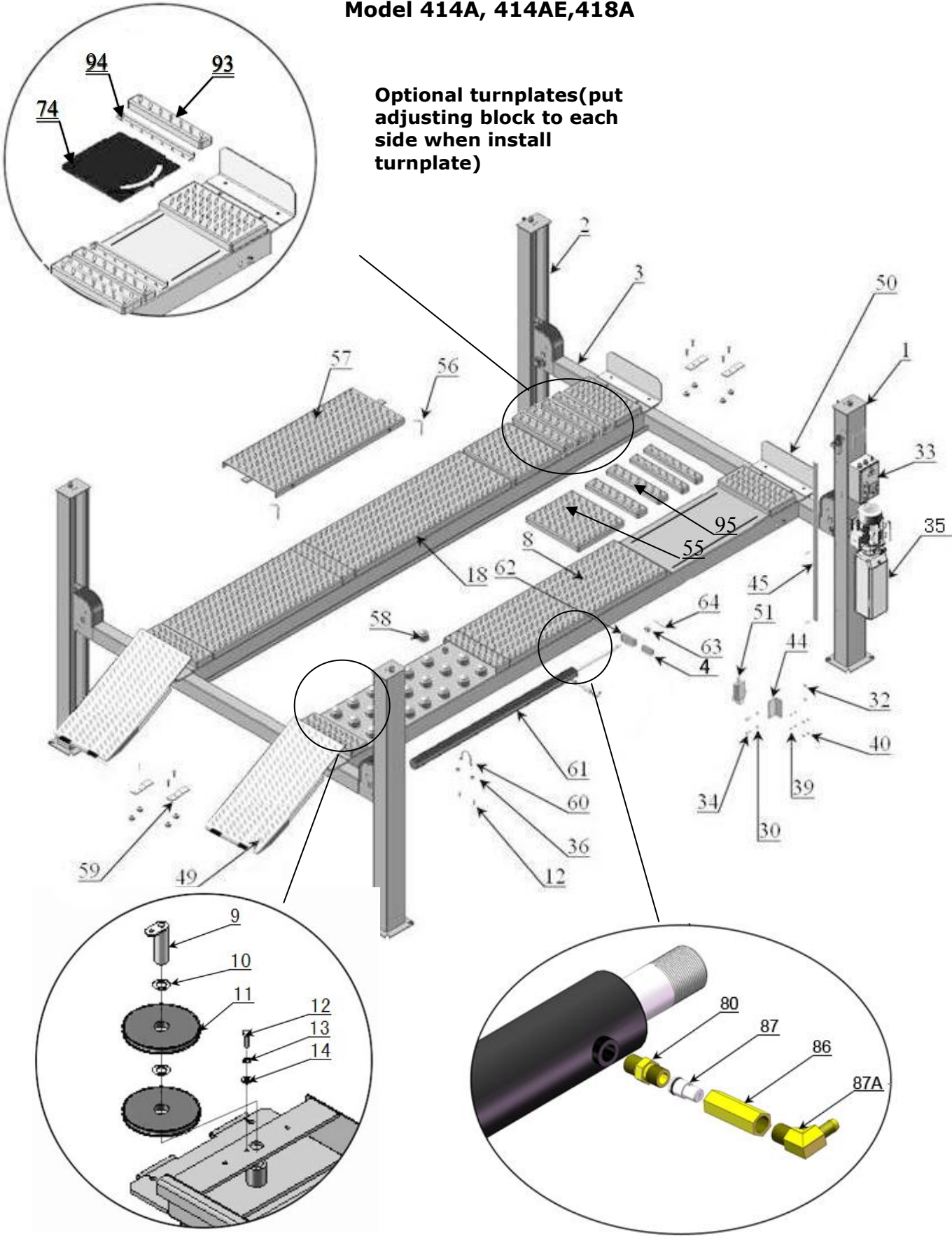


Fig. 55

Spare Parts List

Item	Part#	Description	414	414A	414E	414AE	418	418A
1	11460020	Power-side Column	1	1	1	1	1	1
2	11460021	Offside Column	3	3	3	3	3	3
3	11460082	Front/Rear Cross Beam	2	2	2	2	0	0
	10476034		0	0	0	0	2	2
4	10476016	Limit Slider	1	1	1	1	1	1
5	10209059	Anchor Bolt	16	16	16	16	16	16
6	11460074	Safety Ladder	4	4	4	4	4	4
7	10476014	Hex Nut	16	16	16	16	16	16
8	11460024-01	Power-side Platform	1	0	0	0	0	0
	11460054-01		0	1	0	0	0	0
	11460095-01		0	0	1	0	0	0
	11470007-01		0	0	0	1	0	0
	11476044-01		0	0	0	0	1	0
	11477009-01		0	0	0	0	0	1
9	11476010	Pulley Shaft Weldment	2	2	2	2	2	2
10	10476029	Pulley Washer	4	4	4	4	4	4
11	11476636	Pulley	6	6	6	6	6	6
11A	10476025	Bronze Bush for Pulley	10	10	10	10	10	10
12	10209043	Hex Bolt	12	12	12	12	12	12
13	10209034	Lock Washer	2	2	2	2	2	2
14	10420144	Washer	2	2	2	2	2	2
15	10420030	Hex Bolt	12	12	12	12	4	4
15A	10101001	Hex Bolt M20*40	0	0	0	0	8	8
16	10420137	Lock Washer	12	12	12	12	4	4
16A	10201114	Lock Washer	0	0	0	0	8	8
17	10420029	Washer	12	12	12	12	4	4
17A	10209128	Washer	0	0	0	0	8	8
18	11460026-01	Offside Platform	1	0	0	0	0	0
	11460055-01		0	1	0	0	0	0
	11460096-01		0	0	1	0	0	0
	11470008-01		0	0	0	1	0	0
	11476045-01		0	0	0	0	1	0
	11477010-01		0	0	0	0	0	1
19	10476015	Socket Bolt	4	4	4	4	4	4
20	10420145	Oil-water Separator	1	1	1	1	1	1
21	10420146	Straight Fitting for Air Line	1	1	1	1	1	1
22	10209009	Cup Head Bolt	10	10	10	10	10	10
23	10420076	90° Fitting for Air Line	1	1	1	1	1	1
24	10201034	Bleeding Plug	1	1	1	1	1	1
25	10420147	Straight Fitting for Air Line	1	1	1	1	1	1
26	10420077	Air Solenoid Valve	1	1	1	1	1	1
27	10420148	Washer	2	2	2	2	2	2
28	10420149	Cup Head Bolt	2	2	2	2	2	2
29	11420150	Cover of Air Solenoid Valve	1	1	1	1	1	1
30	10420045	Washer	28	28	28	28	28	28
31	10420151	Straight Fitting for Air Line	1	1	1	1	1	1
32	10420018	Self locking Nut	6	6	6	6	6	6

Item	Part#	Description	414	414A	414E	414AE	418	418A
33	10420281	Control Box (Single Phase)	1	1	1	1	1	1
	10420016	Control Box (3 Phase)						
34	10420153	Cup Head Bolt	9	9	9	9	9	9
35	81523003 /81523004	Electric Power Unit	1	1	1	1	1	1
36	10209005	Self locking Nut	14	14	14	14	14	14
37	10209004	Rubber Ring	8	8	8	8	8	8
38	10209003	Hex Bolt	4	4	4	4	4	4
39	10420152	Washer	18	18	18	18	18	18
40	10206011	Cup Head Bolt	18	18	18	18	18	18
41	10460061	Limit Switch Assy. for Cross	2	2	2	2	0	0
	10476033	Beam	0	0	0	0	2	2
42	11420010A	Fixing Plate For Limit Switch	1	1	1	1	1	1
43	10420225	High limit switch assy.	1	1	1	1	1	1
44	11420203	Fixing Plate For Limit Switch	1	1	1	1	1	1
45	11420204	Wire Protective Cover	1	1	1	1	1	1
46	10420156	Protecting Rubber Ring	1	1	1	1	1	1
47	11420004	Pin for Drive-in Ramp	2	2	2	2	2	2
48	10420005	Socket Fixing Bolt	4	4	4	4	4	4
49	11460028	Drive-in Ramp	2	0	2	0	0	0
	11470003		0	2	0	2	0	0
	11476018		0	0	0	0	2	0
	11477004		0	0	0	0	0	2
49A	11610667	Roller for Drive-in Ramp	4	4	4	4	4	4
49B	11620043	Roller Pin for Drive-in Ramp	4	4	4	4	4	4
49C	10209010	Snap Ring	8	8	8	8	8	8
50	11420031-1	Tire Stop Plate	2	2	2	2	2	2
51	10460058	Lower limit switch assy.	1	1	1	1	1	1
52	10209066	Hex Nut	4	4	4	4	4	4
55	11430004-01	Plate for Adjustable Turnplate	0	2	0	2	0	0
	11477005-01		0	0	0	0	0	2
56	11520037	Pin For Slip Plate	4	4	4	4	4	4
57	11450003	Slip Plate	0	2	0	2	0	0
	11477003		0	0	0	0	0	2
58	10420157	Steel Ball Set	0	60	0	60	0	106
59	11420007	Platform Lock Plate	4	4	4	4	0	0
60	11460029	Fixing Ring For Oil Cylinder	1	1	1	1	1	1
61	10460030	Hydraulic Cylinder	1	1	1	1	1	1
62	11460078	Cylinder Connecting Plate	1	1	1	1	1	1
63	10420014	Hex Nut	1	1	1	1	1	1
64	10201005	Split Pin	1	1	1	1	1	1
64A	10201090	Shim (1mm)	20	20	20	20	20	20
	10620065	Shim (2mm)	20	20	20	20	20	20
64B	10209056	Self locking Nut	4	4	4	4	4	4
64C	11420217	Cable limit Pin	4	4	4	4	4	4
65	10420009A	Protecting Plastic Hose	1	1	1	1	1	1
66	10420009B	Protecting Plastic Hose	1	1	1	1	1	1
67	10420016B	Protecting Plastic Hose	1	1	1	1	1	1

Item	Part#	Description	414	414A	414E	414AE	418	418A
68	10420249	Wire cable A	1	1	1	1	1	1
69	10460065	Wire cable B	1	1	0	0	0	0
	10476042		0	0	1	1	1	1
70	10420168	White Winding Tape	1	1	1	1	1	1
71	10420016A	Wire cable	1	1	1	1	1	1
72	10420205	Wire cable	2	2	2	2	2	2
73	10460500	Parts box	1	0	0	0	0	0
	10470500		0	1	0	0	0	0
	10460502		0	0	1	0	0	0
	10470502		0	0	0	1	0	0
	10476501		0	0	0	0	1	0
	10477501		0	0	0	0	0	1
74	10420158	Optional Turnplate	0	2	0	2	0	2
75	10460081	No.① Cable	1	1	0	0	0	0
	10460087		0	0	1	1	0	0
	10476036		0	0	0	0	1	1
76	10460084	No.② Cable	1	1	0	0	0	0
	10460090		0	0	1	1	0	0
	10476039		0	0	0	0	1	1
77	10460082	No.③ Cable	1	1	0	0	0	0
	10460088		0	0	1	1	0	0
	10476037		0	0	0	0	1	1
78	10460083	No.④ Cable	1	1	0	0	0	0
	10460089		0	0	1	1	0	0
	10476038		0	0	0	0	1	1
79	10420166	90° Fitting	1	1	1	1	1	1
80	10420243	Straight Fitting For Cylinder	1	1	1	1	1	1
81	10460060	Oil Hose 5/16"*2900mm	1	1	0	0	0	0
	10460091	Oil Hose 5/16"*3625mm	0	0	1	1	0	0
	10476040	Oil Hose 5/16"*3810mm	0	0	0	0	1	1
82	10420120	Extended Straight Fitting (with Nut)	1	1	1	1	1	1
83	10460038	Oil Hose	1	1	1	1	1	1
84	10209060	Straight Fitting For Cylinder	1	1	1	1	1	1
85	10420095	Straight Fitting	1	1	1	1	1	1
86	10420245	Straight Fitting	1	1	1	1	1	1
87	10420247	Compensation Valve	1	1	1	1	1	1
87A	10201020	90° Fitting	1	1	1	1	1	1
88	10420124	T-Fitting For Air Line	2	2	2	2	2	2
89	10420242	T-Fitting For Air Line	1	1	1	1	1	1
90	10420241	Straight Fitting For Air Line	1	1	1	1	1	1
91	10420206	Oil return hose φ6*φ4*6550mm (Black)	1	1	0	0	0	0
	10460092	Oil return hose (Black)	0	0	1	1	0	0
	10476041	Oil return hose (Black)	0	0	0	0	1	1
91A	10460013	Black air line	1	1	0	0	0	0
	10460094	Black air line	0	0	1	1	0	0
	10476043	Black air line	0	0	0	0	1	1
92	10420167B	Black air line	1	1	1	1	1	1

Item	Part#	Description	414	414A	414E	414AE	418	418A
93	11480033-01	Turnplate adjustable block	0	4	0	4	0	0
	11477007-01	Turnplate adjustable block (533*76*50)	0	0	0	0	0	4
94	11480045-01	Turnplate adjustable block (483*35*35)	0	4	0	4	0	0
	11477008-01	Turnplate adjustable block (533*35*35)	0	0	0	0	0	4
95	11440082-01	Turnplate adjustable block (483*141*50)	0	4	0	4	0	0
	11477006-01	Turnplate adjustable block (533*141*50)	0	0	0	0	0	4
96	11476635	Pulley	4	4	4	4	4	4
97	10476024	Pulley Washer	8	8	8	8	8	8

4.1 CROSS BEAM (10460082/10476034)

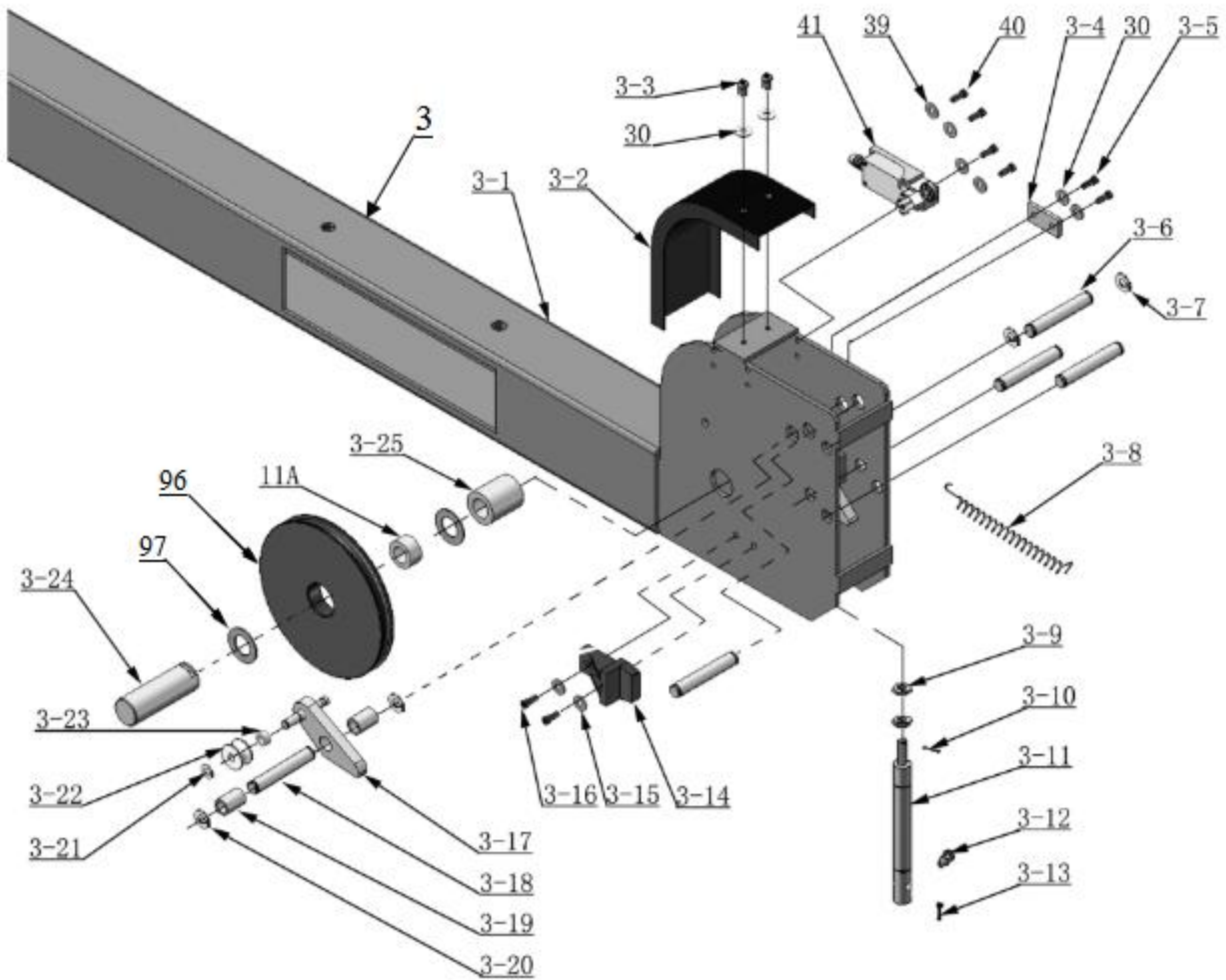


Fig. 56

Parts For Cross Beam

Item	Part#	Description	QTY.	Note
3-1	11460062	Cross Beam (Only for 414, 414A, 414E,414AE)	2	
	11476035	Cross Beam (Only for 418, 418A)	2	
3-2	10460043	Pulley Safety Cover	4	
3-3	10209009	Cup Head Bolt	8	
3-4	11420044	Limit Plate	4	
3-5	10420138	Socket Bolt	8	
3-6	11420038	Pin	12	
3-7	10420037	Snap Ring	24	
3-8	10420033	Spring	4	
			8	Only 410 410A 412AX
3-9	10420050	Hex Nut	8	
3-10	10420049	Split Pin	4	
3-11	10420048	Air Cylinder	4	
3-12	10420047	Fitting for Air Cylinder	4	
3-13	10420046	Split Pin	8	
3-14	10420042	Plastic Slider	16	
3-15	10209033	Washer	40	
3-16	10420043	Socket Bolt	32	
3-17	11420175	Slack-cable safety lock (left & right)	2	Each 2
3-18	11420171	Pin	8	
3-19	11420172	Pin Bush For Slack-cable Safety Lock	8	
3-20	10206019	Snap Ring	16	
3-21	10209010	Snap Ring	4	
3-22	10420035	Tension Pulley	4	
3-23	11420174	Spacer	4	
3-24	11476026	Pulley Pin	4	
3-25	11460076	Pulley Pin Bush	4	

4.2 CYLINDERS (10460030)

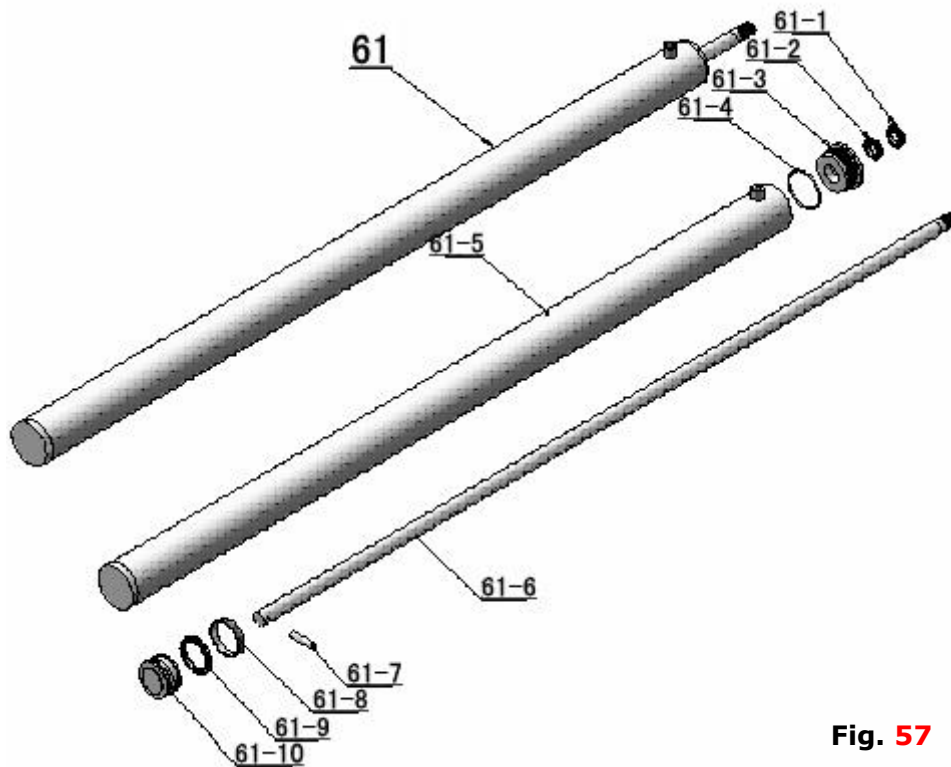


Fig. 57

Parts For Cylinder

Item	Part#	Description	QTY.	Note
61-1	10420059	Dust Ring	1	
61-2	10420060	Y- Ring	1	
61-3	11460046	Head Cap	1	
61-4	10460047	O- Ring	1	
61-5	11460048	Bore Weldment	1	
61-6	11420064	Piston Rod	1	
61-7	11460050	Pin	1	
61-8	10460051	Support Ring	1	
61-9	10460052	Y- Ring	1	
61-10	11460053	Piston	1	

4.3 CONTROL BOX

Part No.: 10440036 Three Phase
10420281 Single Phase

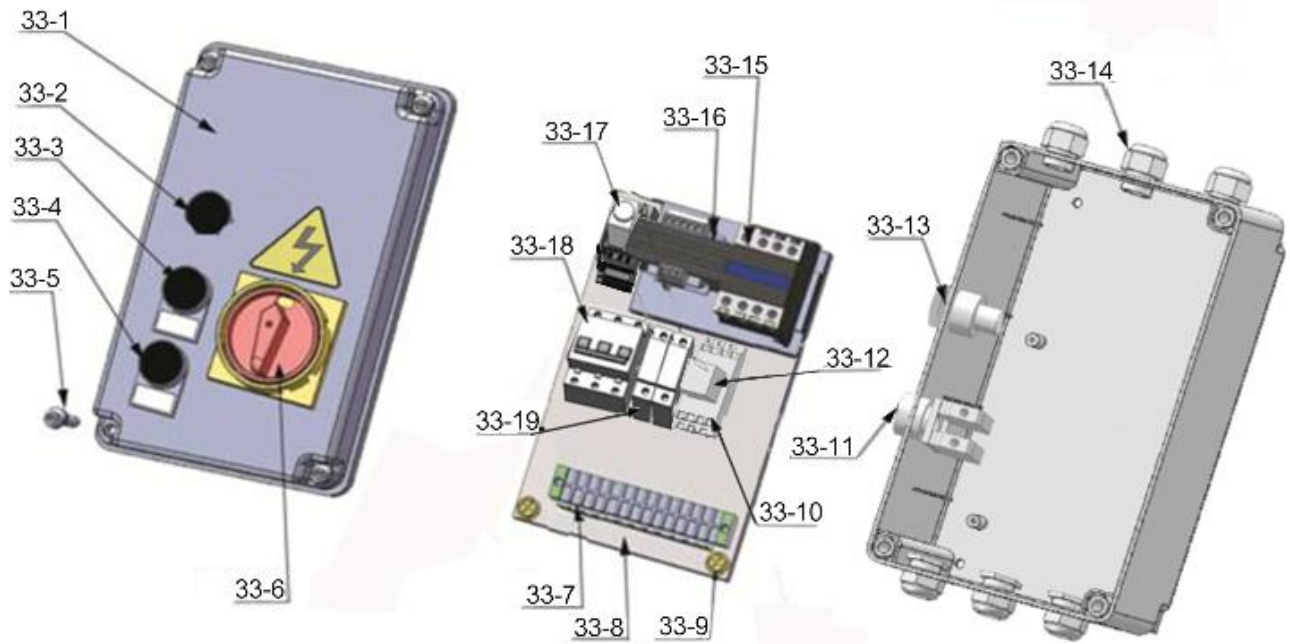


Fig.58

Parts For Control Box

Item	Part#	Description	QTY.	Note
33-1	10420069A	Cover Of Control Box	1	
33-2	10420071	Push Button	1	
33-3	10420070	Push Button	1	
33-4	10420072	Push Button	1	
33-5	10420139	Screw	4	
33-6	41010217	Power Switch (QS1)	1	
33-7	10420075A	Terminal Group	1	
33-8	10420133A	Panel for Installing Element	1	
33-9	10420073	Cup Head Bolt	4	
33-10	10420135	Thermal Relay Connector	2	
33-11	10420142	Push Button	1	
33-12	10420141	Intermediate Relay (KA)	1	
33-13	10420143	Alarm Lamp	1	
33-14	10420088	Fitting For White Wire Cable	6	
33-15	10420084A	24V AC Contactor (KM)	1	
33-16	10580114	Transformer (TC)	1	
33-17	10420083	Timer Relay (KT)	1	
33-18	10202046	Circuit Breaker 2P Only for Single phase	1	
	10202047	Circuit Breaker 2P Only for Single phase	1	
33-19	10202049	Circuit Breaker 1P	2	

4.4,POWER UNIT (81523003/81523004)

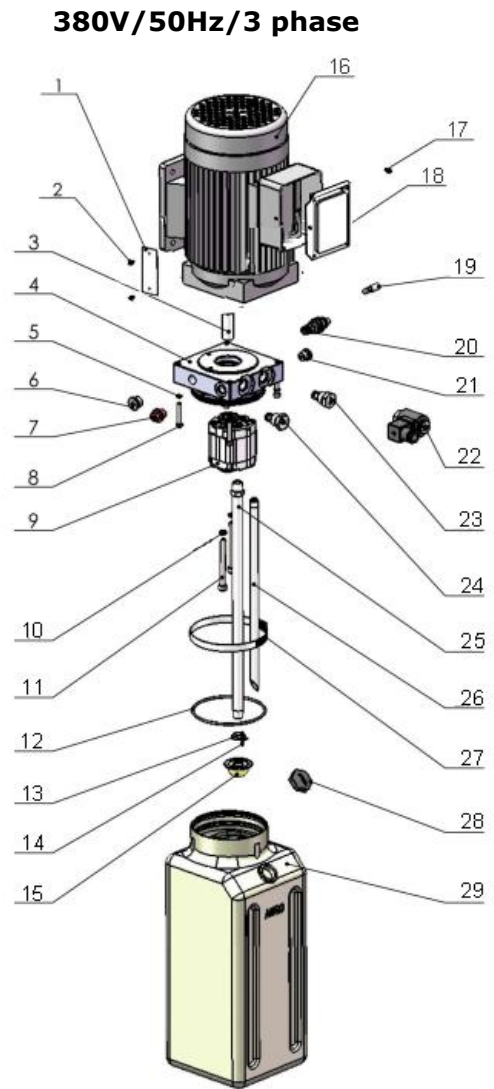
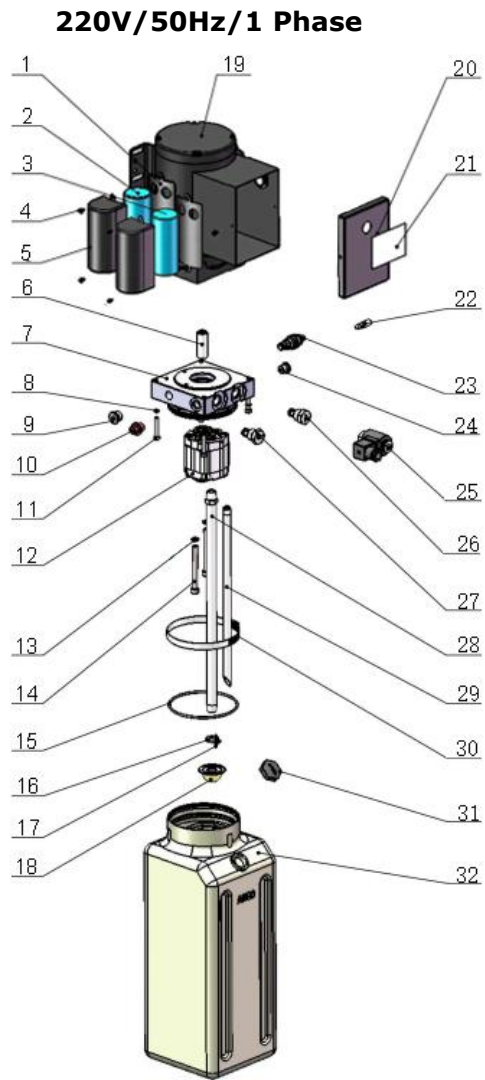


Fig. 59

Parts For Electric Power Unit 220V/50HZ/1 Phase

Item	Part#	Description	QTY.	Note
1	81400180	Rubber Gasket	2	
2	81400250	Start Capacitor	1	
3	81400200	Run Capacitor	1	
4	10420148	Cup Head Bolt with Washer	4	
5	81400066	Cover of Capacitor	2	
6	81400363	Motor Connecting Shaft	1	
7	81400362	Manifold Block	1	
8	10209149	Lock Washer	4	
9	81400276	Inner Hex Iron Plug	1	
10	81400259	Red Plastic Plug	1	
11	85090142	Socket Bolt	4	
12	81400292	Gear Pump	1	
13	10209034	Lock Washer	2	
14	81400295	Socket Bolt	2	
15	81400365	O ring	1	
16	10209152	Ties	1	
17	85090167	Magnet	1	
18	81400290	Filter	1	
19	81400590	Steel Motor	1	
20	81400208	Cover of Motor Terminal Box	1	
21	71111192	AMGO Name Plate	1	
22	81400560	Throttle Valve	1	
23	81400266	Relief Valve	1	
24	81400284	Inner Hex Iron Plug	1	
25	81400420	Hydraulic Solenoid Valve Coil	1	
26	81400423	Release Valve	1	
27	81400566	Check Valve	1	
28	81400366	Oil Suction Pipe	1	
29	81400367	Oil Return Pipe	1	
30	81400364	Clamp	1	
31	81400263	Filler Cap	1	
32	81400319	Reservoir	1	

Parts For Electric Power Unit 380V/50HZ/3 Phase

Item	Part#	Description	QTY.	Note
1	71111193	AMGO Power Unit Signs	1	
2	81400300	Cup Head Bolt	2	
3	81400363	Motor Connecting Shaft	1	
4	81400362	Manifold Block	1	
5	10209149	Lock Washer	4	
6	81400276	Inner Hex Iron Plug	1	
7	81400259	Red Plastic Plug	1	
8	85090142	Socket Bolt	4	
9	81400307	Gear Pump	1	
10	10209034	Lock Washer	2	
11	81400295	Socket Bolt	2	
12	81400365	O ring	1	
13	10209152	Ties	1	
14	85090167	Magnet	1	
15	81400290	Filter	1	
16	81400309	Aluminum Motor	1	
17	10420148	Cup Head Bolts with Washer	2	
18	80101022	Cover of Motor Terminal Box	1	
19	81400560	Throttle Valve	1	
20	81400266	Relief Valve	1	
21	81400284	Inner Hex Iron Plug	1	
22	81400420	Throttle Valve	1	
23	81400423	Relief Valve	1	
24	81400566	Check Valve	1	
25	81400366	Oil Suction Pipe	1	
26	81400367	Oil Return Pipe	1	
27	81400364	Clamp	1	
28	81400263	Filler Cap	1	
29	81400319	Reservoir	1	