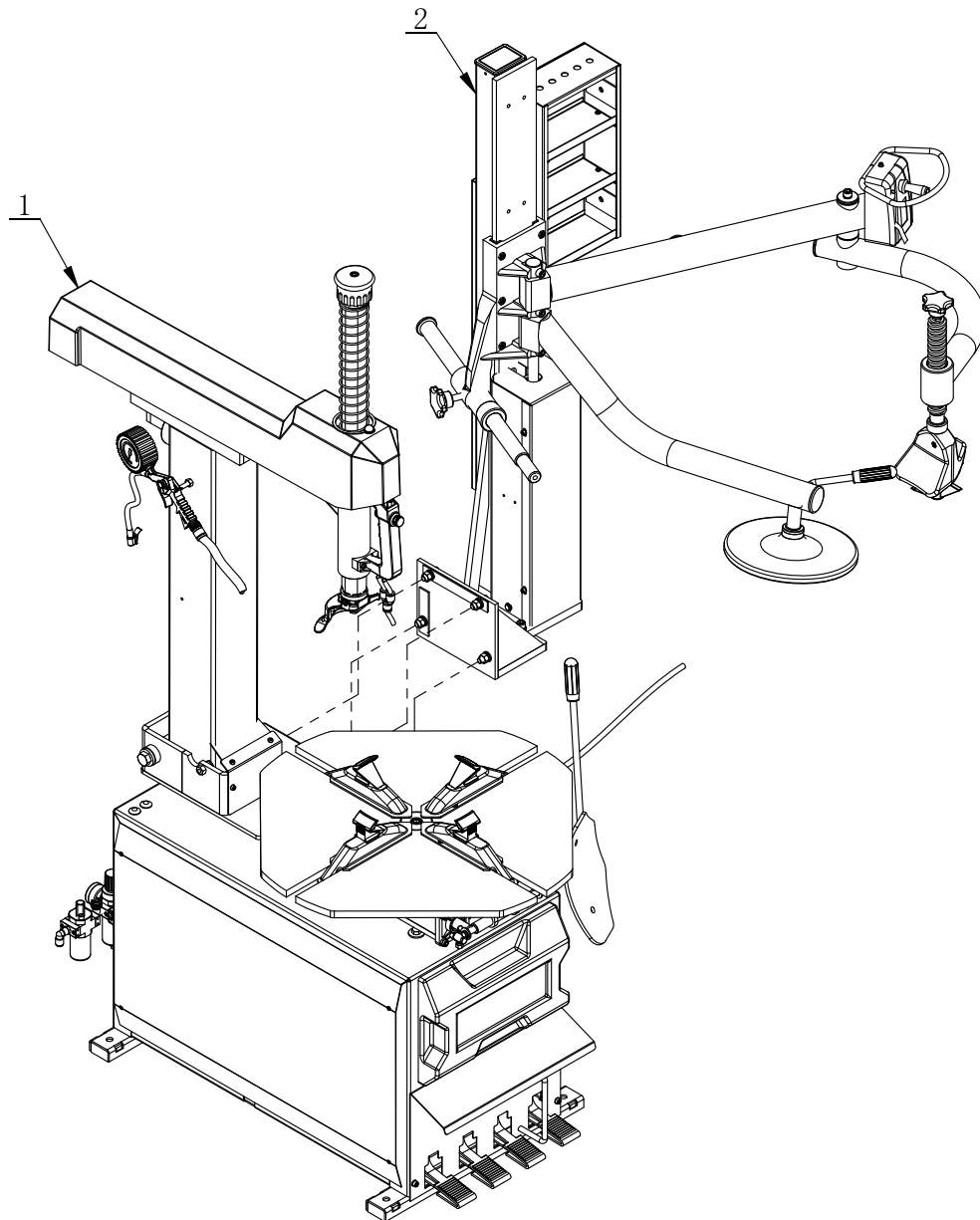


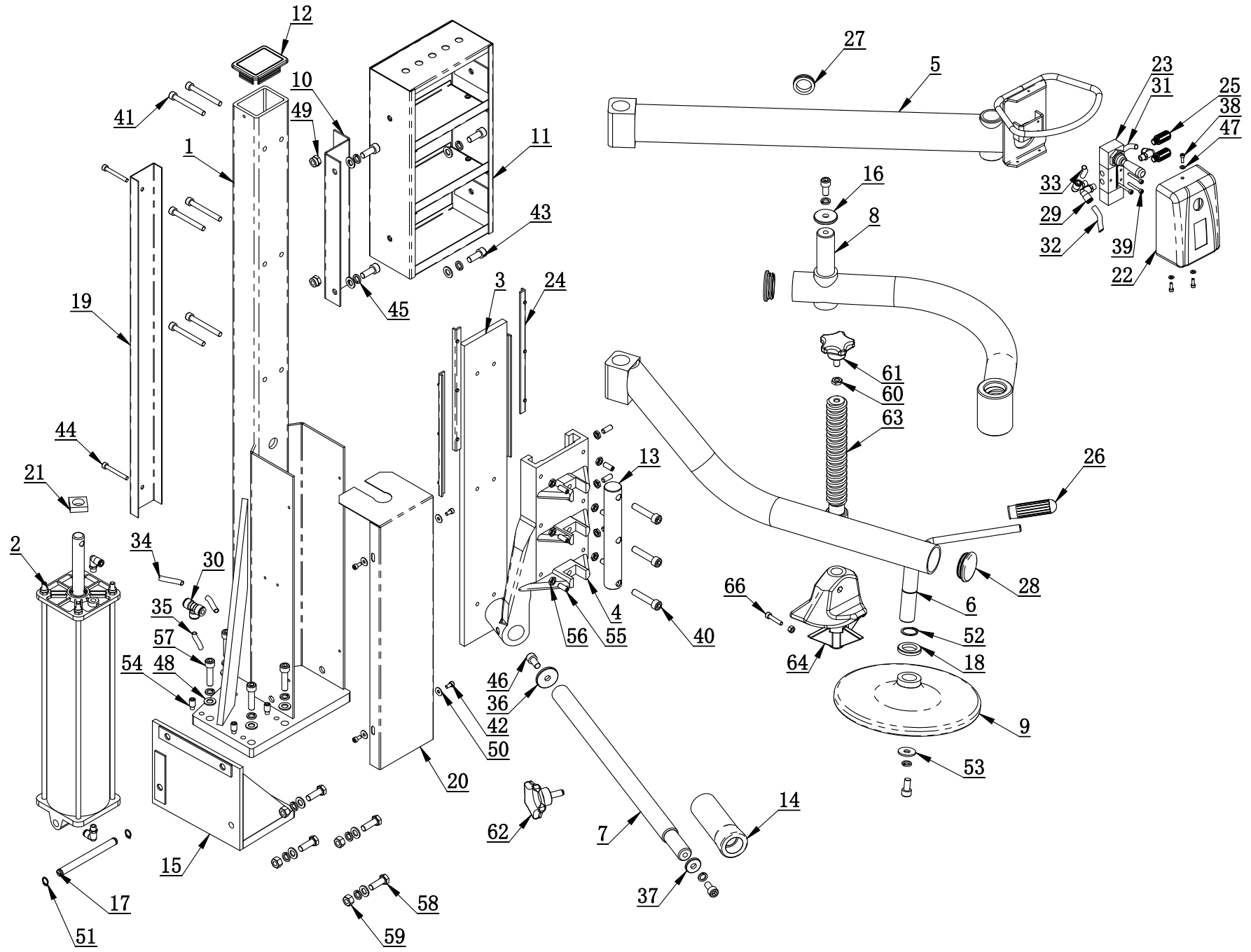
T624R



# T624R Exploded Drawing



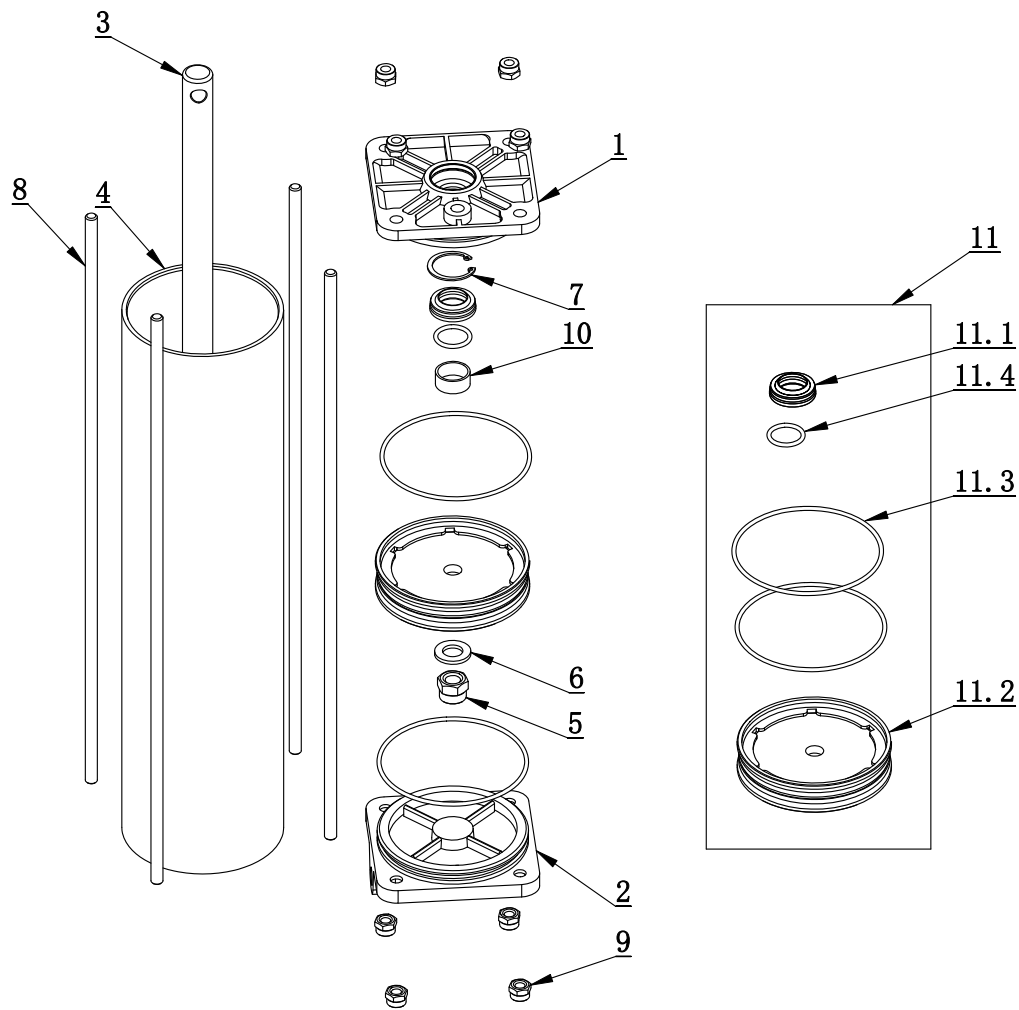
ITEM	PART. No	DESCRIPTION.	QT. Y
1	T624	CAR TIRE CHANGER	1
2	H-23-1000000	ASSISTANT ARM	1



ITEM	PART. No	DESCRIPTION.	QT. Y
1	H-30-1300000	MAIN BODY BRACKET	1
2	H-10-1500000	LIFTING CYLINDER ASSEMBLY	1
3	H-10-1000004	GUIDE RAIL	1
4	H-30-1000001	MOBILE CARRIAGE	1
5	H-23-1300000	SUPPORT ARM	1
6	H-23-1200000	BEAD LIFTING ARM	1
7	H-30-1000005	MOVABLE SHAFT	1
8	H-24-1100000	ROTATION ARM	1
9	H-10-1000011	TURNTABLE	1
10	H-10-1000015	FIXTURE PLATE	1
11	H-10-1900000	TOOL BOX ASSY	1
12	H-10-1000003	PROTECTIVE COVER	1
13	H-10-1000002	SHAFT CONNECTOR	1
14	H-30-1000003	TIRE PRESSING ROLLER	1
15	H-23-1100000	CONNECTING BRACKET WELDING	1
16	H-10-1000005	WASHER	1
17	H-10-1000018	SUPPORTING SHAFT	1
18	H-10-1000017	WASHER	1
19	H-10-1000013	U-STEEL	1
20	H-10-1000012	CYLINDER COVER PLATE	1
21	H-12-1000001	FELT WASHER	1
22	H-10-1000020	HANDLE VALVE COVER	1
23	4H230-06A	CONTROL VALVE	1
24	H-10-1000016	GUIDEWAY	4
25	FSK 01	PARTICLE SILENCER	2
26	TC-40-1200022	RUBBER COVER	1
27	H-12-1000002	PROTECTION RING	1
28	H-10-1000008	ROUND COVER	2
29	FPL 6-01	MALE ELBOW	5
30	FPT 6-8-8	DIFFERENT DIA OF UNION TEE	1
31	PU-0602400	PU HOSE C $\Phi$ 6X4	1
32	PU-0602400	PU HOSE A $\Phi$ 6X4	1
33	PU-0602200	PU-0602200	1
34	PU-0800600	PU HOSE $\Phi$ 8x5	2
35	PU-0800900	PU HOSE $\Phi$ 8x5	1
36	H-30-1000006	WASHER	1
37	H-30-1000004	CONE ROLLER WASHER	1
38	GB70. 1-M4 $\times$ 12	INNER HEXA CYLINDRICAL SCREW	3
39	GB70. 1-M4 $\times$ 30	INNER HEXA CYLINDRICAL SCREW	3
40	GB70. 1-M10 $\times$ 50	INNER HEXA CYLINDRICAL SCREW	3

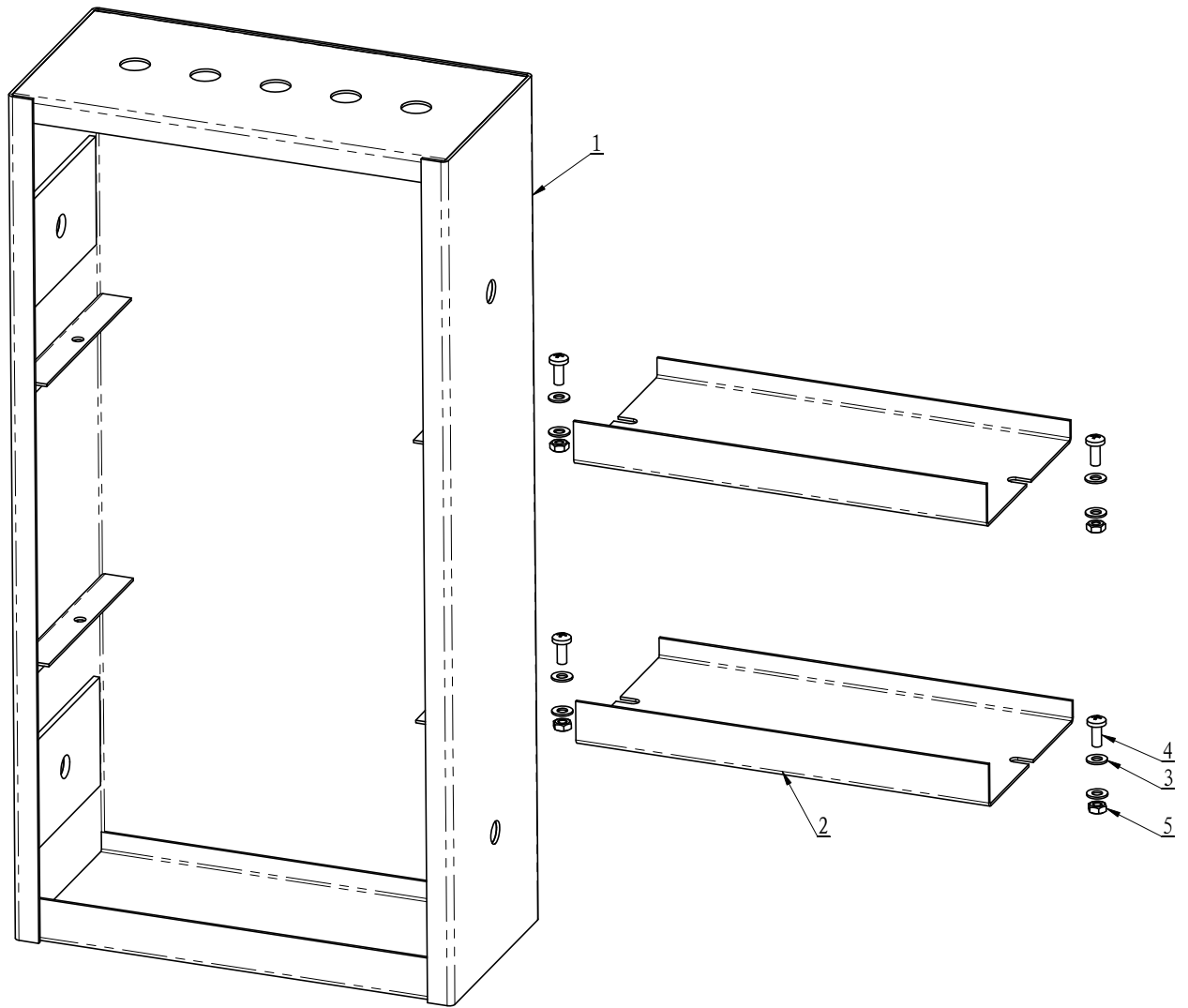
ITEM	PART. No	DESCRIPTION.	QT. Y
41	GB70. 1-M8×70	INNER HEXA CYLINDRICAL SCREW	6
42	GB70. 1-M5×10	INNER HEXA CYLINDRICAL SCREW	4
43	GB70. 1-M10×25	INNER HEXA CYLINDRICAL SCREW	4
44	GB70. 1-M6×50	INNER HEXA CYLINDRICAL SCREW	2
45	GB93-10	STANDARD SPRING WASHER	15
46	GB70. 1-M10×20	INNER HEXA CYLINDRICAL SCREW	4
47	GB95-4	FLAT WASHER	3
48	GB95-10	FLAT WASHER	12
49	GB889. 1-M10	1-TYPE PREVAILING TORQUE TYPE HEXAGON LOCK NUT	2
50	GB96. 2-5	LARGE WASHER C GRADE	4
51	GB894. 1-12	SHAFT ELATIC BIG RETAINING RING A-TYPE	2
52	GB894. 2-25	SHAFT ELATIC RETAINING RING B-TYPE	1
53	GB96. 1-10	LARGE WASHER A GRADE	1
54	GB79-M10×20	INNER HEXA CYLINDRICAL TERMINUS SET SCREW	4
55	GB77-M8×20	INNER HEXA FLAT TERMINUS SET SCREW	9
56	GB6172. 1-M8	HEXANGULAR THIN NUT	9
57	GB70. 1-M10×40	INNER HEXA CYLINDRICAL SCREW	4
58	GB5783-M10×30	HEXANGULAR BOLT	4
59	GB41-M10	HEXANGULAR NUT	4
60	GB6172. 1-M10	HEXANGULAR THIN NUT	1
61	H-80-1000013	THE STAR HANDLE M10-20	1
62	H-80-1003000	HAND OF FIVE STARS	1
63	H-20-1000001	PRESSURE SCREW	1
64	H-80-1001000	PRESS PART	1
65	GB41-M6	HEXANGULAR NUT	1
66	GB70. 1-M6×30	INNER HEXA CYLINDRICAL SCREW	1

H-10-1500000

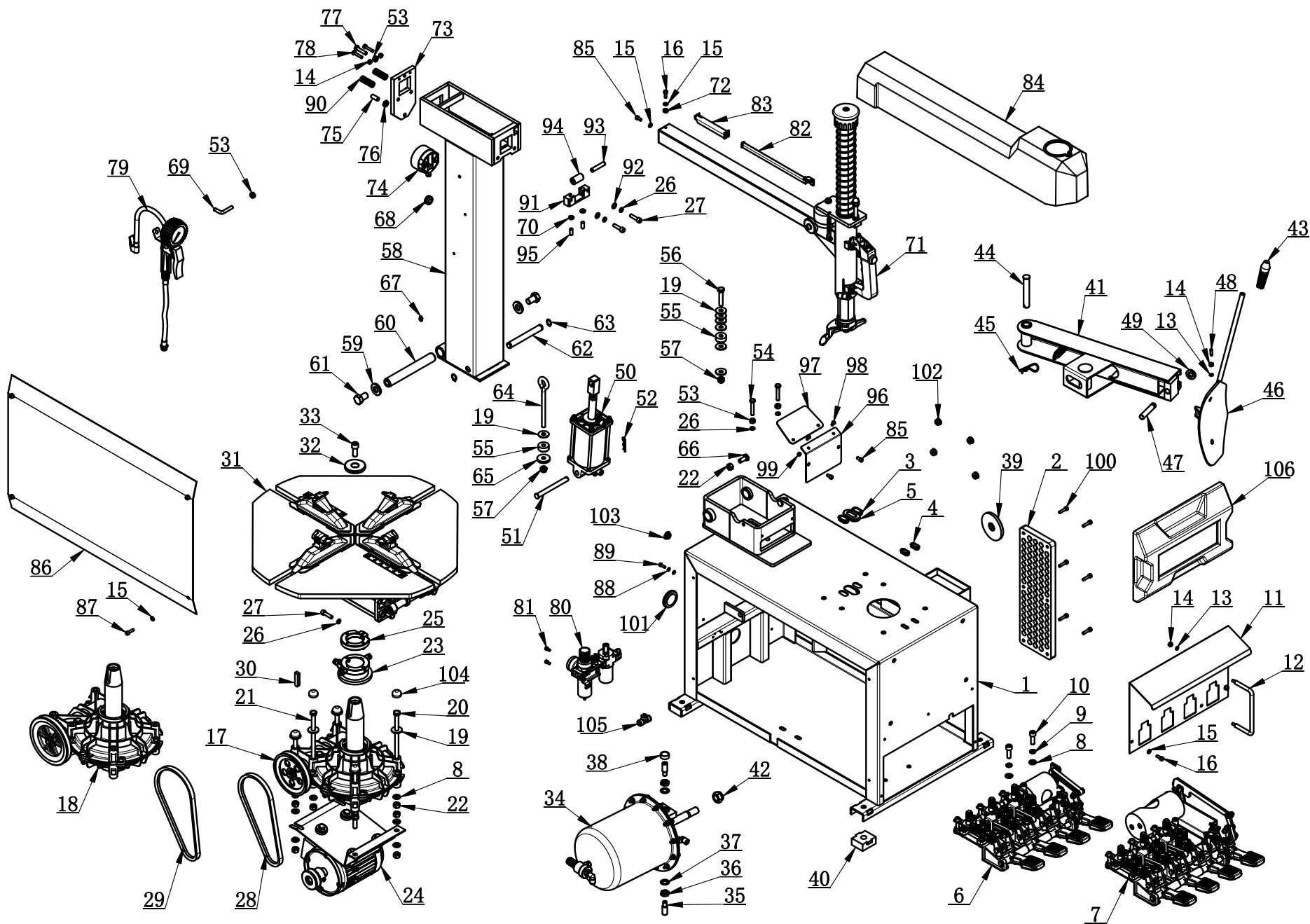


ITEM	PART. No	DESCRIPTION.	QT. Y
1	H-10-1500002	CYLINDER FRONT COVER	1
2	H-10-1500005	CYLINDER BEAR COVER	1
3	H-10-1500004	PISTON ROD	1
4	H-10-1500003	CYLINDER	1
5	GB889. 1-M12	1- TYPE PREVAILING TORQUE TYPE HEXAGON LOCK NUT	1
6	GB95-12	FLAT WASHER	1
7	GB893. 1-30	ELASTIC RETAINING RING A-TYPE	1
8	H-10-1500006	BOLT	4
9	GB889. 1-M8	1-TYPE PREVAILING TORQUE TYPE HEXAGON LOCK NUT	8
10	JH1 2010	BEARING-SLIDE	1
11	H-10-1590000	CYCLINDER SEALING PARTS ASSEMBLY	1
11. 1	BYXQ30x20x7	SEAL-ROD, CYLNDR	2
11. 2	H-10-1500001	PISTON	1
11. 3	GB3452. 1-95×2. 65-G	HYDRAULIC-PNEUMATIC RUBBER O-RING G TYPE	2
11. 4	GB3452. 1-20×2. 65-G	HYDRAULIC-PNEUMATIC RUBBER O-RING G TYPE	1

H-10-1900000



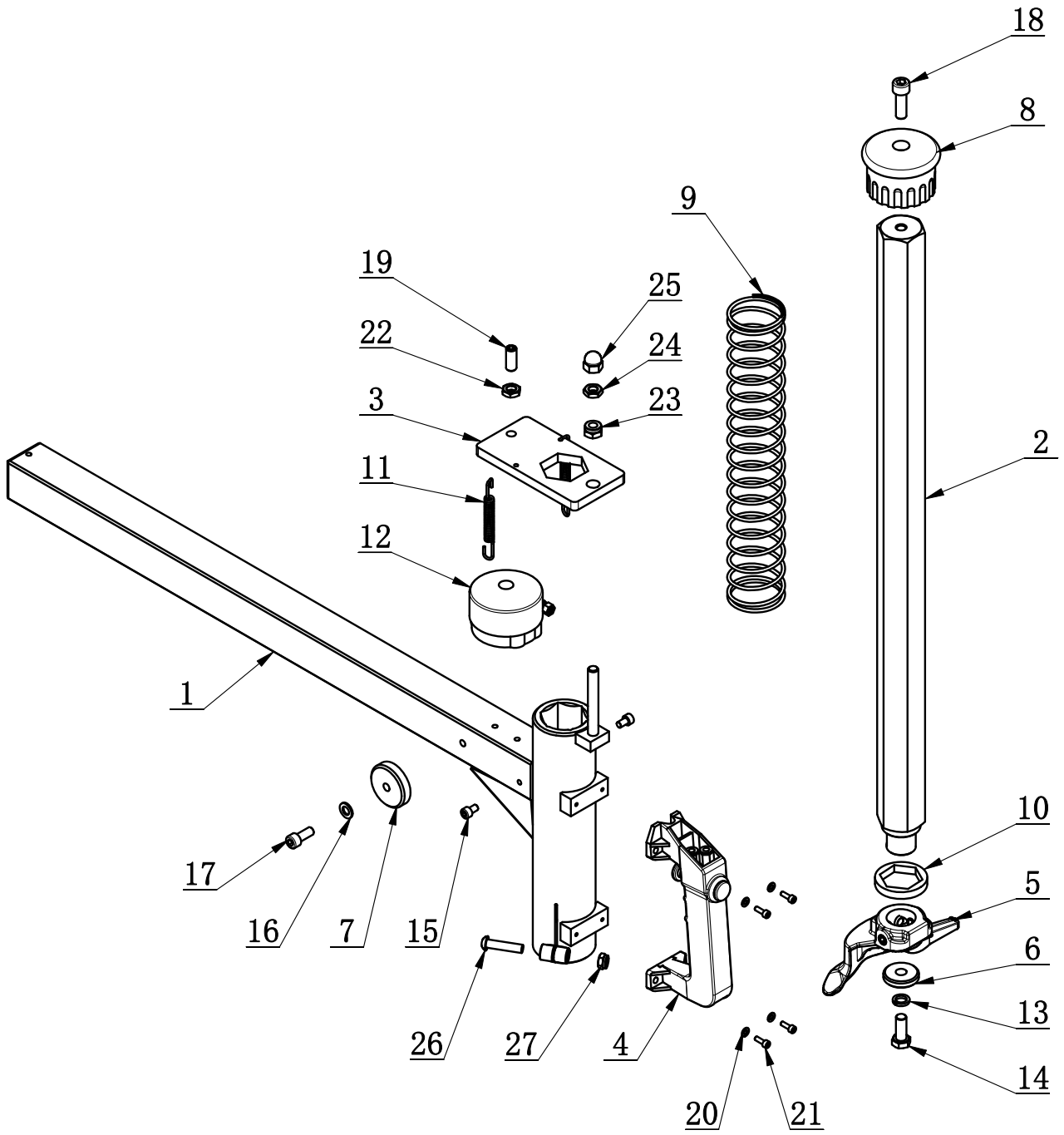
ITEM	PART. No	DESCRIPTION.	QT. Y
1	H-10-1910000	TOOL BOX ASSY WELDING	1
2	H-10-1900002	SPACE	2
3	GB95-4	FLAT WASHER	8
4	GB818-M4 × 10-H	CROSS PANHEAD SCREW	4
5	GB6170-M4	HEXANGULAR NUT 1-TYPE	4



ITEM	PART. No	DESCRIPTION.	QT. Y
1	C-7D-1200000	BODY	1
2	C-7C-1000008	RIM SUPPORT	1
3	C-54-1000022	PLUG C	2
4	C-54-1000023	PLUG A	2
5	C-54-1000028	PLUG B	1
6	CT-D-A500000	PEDAL ASSEMBLY	1
7	CT-D-B300000	PEDAL ASSEMBLY (DOUBLE SPEED)	1
8	GB95-10	FLAT WASHER	16
9	GB93-10	STANDARD SPRING WASHER	2
10	GB70. 1-M10×30	INNER HEXA CYLINDRICAL SCREW	2
11	C-7C-1000001	PROTECTIVE COVER	1
12	C-71-1000005	PROTECTIVE ROD	1
13	GB93-6	STANDARD SPRING WASHER	3
14	GB41-M6	HEXANGULAR NUT	5
15	GB95-6	FLAT WASHER	11
16	GB70. 1-M6×16	INNER HEXA CYLINDRICAL SCREW	6
17	CT-J-3100000	GEARBOX ASSEMBLY (USED WITH 50HZ MOTOR)	1
18	CT-J-1100000	GEARBOX ASSEMBLY (USED WITH 60HZ MOTOR)	1
19	GB96. 1-10	LARGE WASHER A GRADE	13
20	GB5782-M10×200-8. 8	BOLT M10×200	4
21	GB5782-M10×160-8. 8	BOLT M10×160	2
22	GB41-M10	HEXANGULAR NUT	16
23	CT-Q-5000000	ROTATING UNION	1
24	CT-DJ-0334122	MOTOR (380V, 50Hz, 3P, 0. 75Kw)	1
25	CT-Q-6000000	CLAMP RING	1
26	GB93-8	STANDARD SPRING WASHER	5
27	GB70. 1-M8×30	INNER HEXA CYLINDRICAL SCREW	3
28	CT-DJ-0000007	BELT (USED WITH 50HZ MOTOR)	1
29	CT-DJ-0000008	BELT (USED WITH 60HZ MOTOR)	1
30	GB1096-C12×8×45	COMMON FLAT KEY	1
31	CT-Y-1600000	TURNTABLE ASSEMBLY	1
32	C-54-1000012	PRESS COVER	1
33	GB70. 1-M12×30	INNER HEXA CYLINDRICAL SCREW	1
34	CT-LS-1600000	BEAD BREAKER CYLINDER ASSEMBLY	1
35	C-54-1000010	SCREWS M14X42	2
36	GB6172. 1-M14	HEXANGULAR THIN NUT	2
37	GB861. 1-14	INNER TOOTH LOCK WAHSER	2
38	C-54-1000013	SEALED COVER	1
39	C-54-1000016	RUBBER WASHER	1
40	C-54-1000005	RUBBER FOOT	4

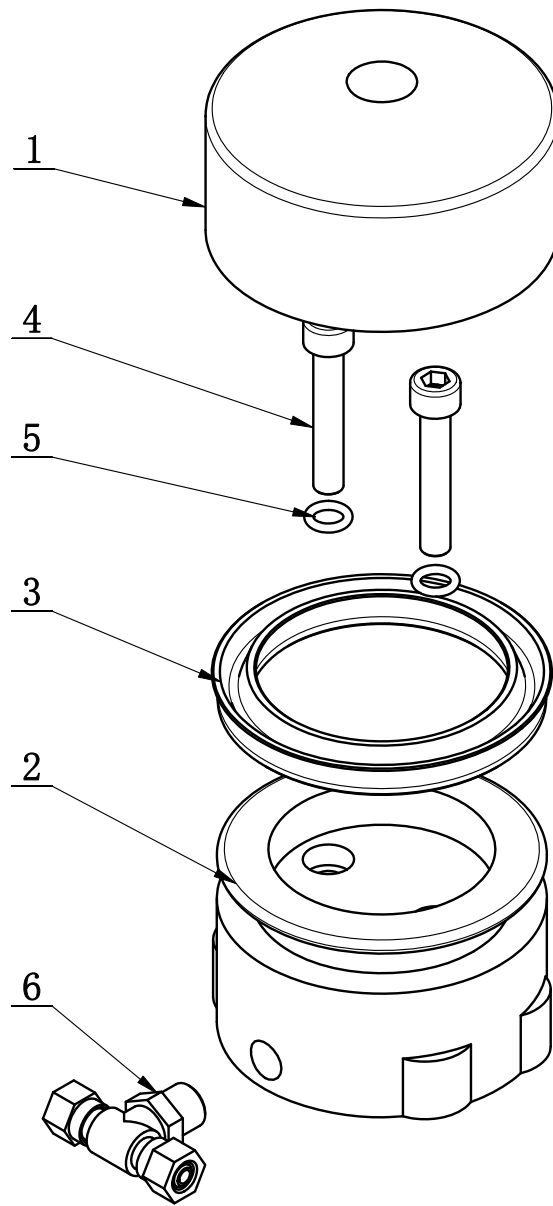
ITEM	PART. No	DESCRIPTION.	QT. Y
41	CT-B-4000000	BEAD BREAKING ARM ASSEMBLY	1
42	GB889. 2-M18×1. 5	NUT M18×1. 5	1
43	TC-40-1200022	RUBBER COVER	1
44	GB882-16×100	PIN SHAFT	1
45	C-01-100000B	CIRCLIP	1
46	CT-C-3100000	BEAD BREAKER BLADE	1
47	C-7C-1000007	ROTATION SPINDLE	1
48	GB79-M6×20	INNER HEXA CYLINDRICAL TERMINUS SET SCREW	1
49	GB955-14	WAVE-FORM SPRING WASHER	1
50	CT-XD-3000000	PULL-OUT CYLINDER ASSEMBLY	1
51	GB882-12×120	PIN SHAFT	1
52	C-77-1000012	CIRCLIP	1
53	GB41-M8	HEXANGULAR NUT	4
54	GB5783-M8×45	HEXANGULAR BOLT	2
55	C-71-1000013	WASHER $\Phi 30 \times \Phi 10 \times 15$	2
56	GB5783-M10×50	HEXANGULAR BOLT	1
57	GB889. 1-M10	1-TYPE PREVAILING TORQUE TYPE HEXAGON LOCK NUT	2
58	C-7C-1200000	COLUMN WELDING	1
59	C-71-1000010	WASHER	2
60	C-71-1000012	ROTATION SHAFT	1
61	GB5783-M16×25-W8. 8	HEXANGULAR BOLT	2
62	C-71-1000007	PULL-OUT SHAFT	1
63	GB894. 1-16	SHAFT ELATIC BIG RETAINING RING A-TYPE	2
64	C-71-1000008	CONNECTION ROD	1
65	C-71-1000028	WASHER	1
66	C-71-1000009	BOLT	2
67	TC-10-8400006	OIL BOTTLE	1
68	C-71-1000019	STOP-UP	1
69	C-71-1000024	INFLATING GUN HOOK	1
70	GB6172. 1-M8	HEXANGULAR THIN NUT	2
71	C-7C-1300000	HORIZONTAL ARM ASSEMBLY	1
72	C-71-1000021	SPACER	1
73	C-7C-1001000	SQUARE LOCK PLATE	1
74	C-71-1500000	LOCKING CYLINDER ASSY	1
75	C-71-1000029	INNER HEXA FLAT TERMINUS SET SCREW	1
76	GB6173-M10×1. 0	HEXA THIN NUT	1
77	GB5783-M8×35	HEXANGULAR BOLT	1
78	GB5783-M6×30	HEXANGULAR BOLT	2
79	CT-P-6000000	INFLATING GUN ASSY	1
80	CT-F-3111100	AIR REGULATOR ASSEMBLY	1

ITEM	PART. No	DESCRIPTION.	QT. Y
81	GB70. 1-M5×10	INNER HEXA CYLINDRICAL SCREW	2
82	C-71-1000015	AIR HOSE CHUTE	1
83	C-71-1000016	AIR HOSE CHUTE (SHORT)	1
84	C-71-1000023	PROTECTIVE COVER	1
85	GB70. 1-M6×12	INNER HEXA CYLINDRICAL SCREW	3
86	C-6C-1000001	SIDE PANEL	1
87	GB70. 1-M6×20	INNER HEXA CYLINDRICAL SCREW	4
88	GB95-5	FLAT WASHER	2
89	GB5783-M5×16	HEXANGULAR BOLT	1
90	C-71-1000018	PRESS SPRING	2
91	C-7C-1000004	PEDESTAL	1
92	GB95-8	FLAT WASHER	2
93	GB119. 1-10×50	CYLINDRICAL PIN	1
94	C-7C-1000005	TELEFLEX	1
95	GB77-M8×20	INNER HEXA FLAT TERMINUS SET SCREW	2
96	C-7C-1000003	PROTECTIVE PLATE	1
97	C-7C-1000006	RUBBER PLATE	1
98	GB818-M5×12-H	CROSS PANHEAD SCREW	2
99	GB41-M5	HEXANGULAR NUT	2
100	GB70. 1-M6×25	INNER HEXA CYLINDRICAL SCREW	6
101	C-61-1000002	CUSHION BUSHING	1
102	C-71-1000027	HELPER RUBBE PLUG	5
103	C-61-1000003	HELPER RUBBE PLUG	1
104	C-01-1000006	COVER CAP	6
105	FPT 6-8-8	DIFFERENT DIA OF UNION TEE	1
106	C-01-1000004	THE FACE	1



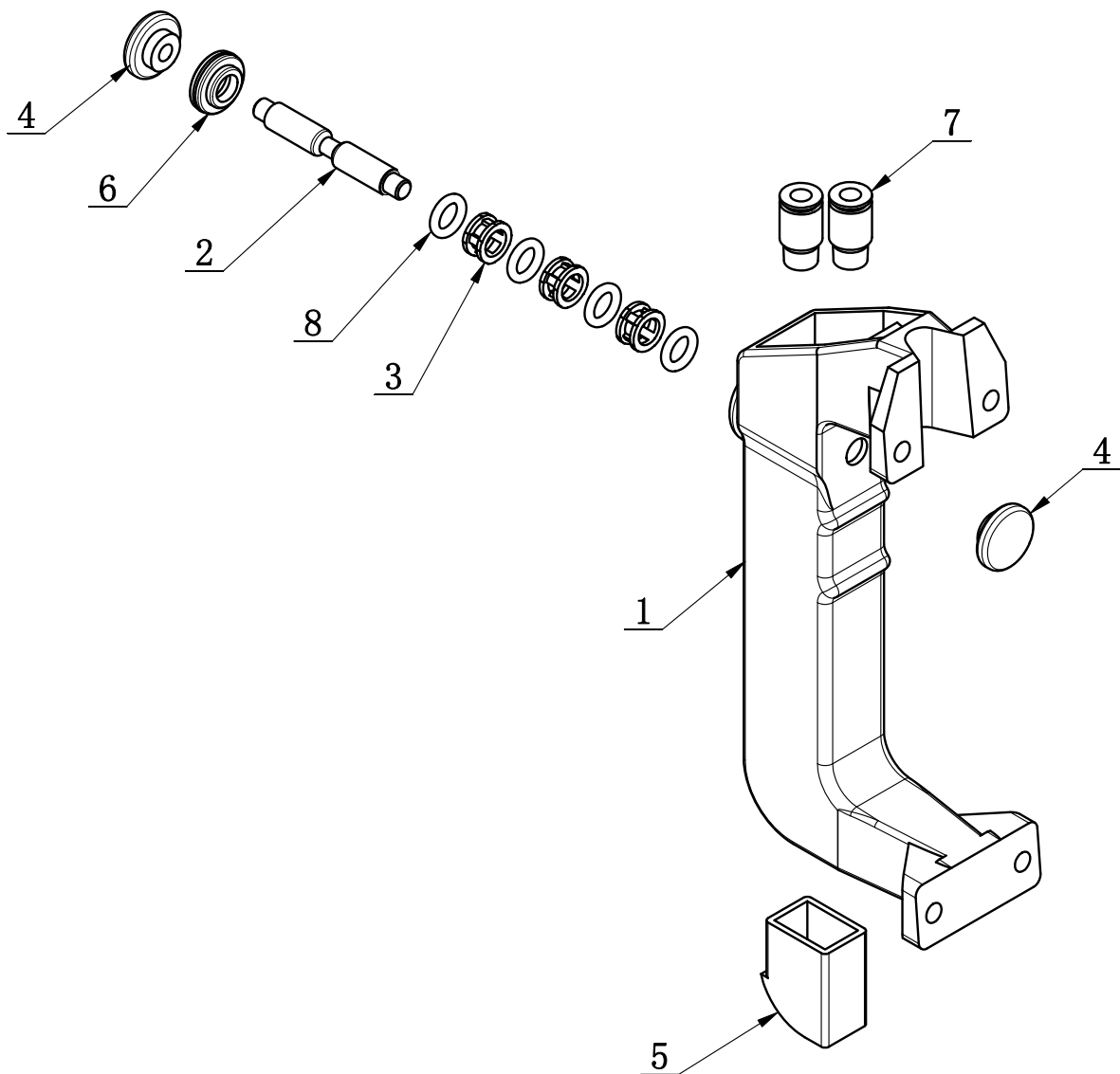
ITEM	PART. No	DESCRIPTION.	QT. Y
1	C-7C-1310000	HORIZONTAL ARM WELDING	1
2	C-77-1300003	HEXANGULAR SHAFT	1
3	C-7C-1300002	HEXANGULAR LOCK PLATE	1
4	C-71-1330000	HANDLE CONTROLING VALVE	1
5	C-54-0001000	DEMOUNTING HEAD ASSEMBLY	1
6	C-54-1300008	PRESS WASHER	1
7	C-71-1300005A	POSITIONING BLOCK	1
8	C-54-1300003	VERTICAL SHAFT COVER	1
9	C-54-1300010	VERTICAL SHAFT SPRING	1
10	C-54-1300007	SHOCK ABSORBER WASHER	1
11	C-71-1300004	SPRING	2
12	C-71-1320000	LOCKING CYLINDER ASSY	1
13	GB93-10	STANDARD SPRING WASHER	1
14	GB5783-M10×25-12.9	HEXANGULAR BOLT	1
15	GB70.1-M6×10	INNER HEXA CYLINDRICAL SCREW	2
16	GB95-8	FLAT WASHER	1
17	GB70.1-M8×20	INNER HEXA CYLINDRICAL SCREW	1
18	GB70.1-M10×30	INNER HEXA CYLINDRICAL SCREW	1
19	C-71-1000029	INNER HEXA FLAT TERMINUS SET SCREW	1
20	GB95-4	FLAT WASHER	4
21	GB70.1-M4×12	INNER HEXA CYLINDRICAL SCREW	4
22	GB6173-M10×1.0	HEXA THIN NUT	1
23	GB889.1-M10	1-TYPE PREVAILING TORQUE TYPE HEXAGON LOCK NUT	1
24	GB6172.1-M10	HEXANGULAR THIN NUT	1
25	GB923-M10	CAP NUT	1
26	GB70.2-M8×35	INNER HEXA CYLINDRICAL ROUND HEAD SCREW	1
27	GB889.1-M8	1-TYPE PREVAILING TORQUE TYPE HEXAGON LOCK NUT	1

C-71-1320000

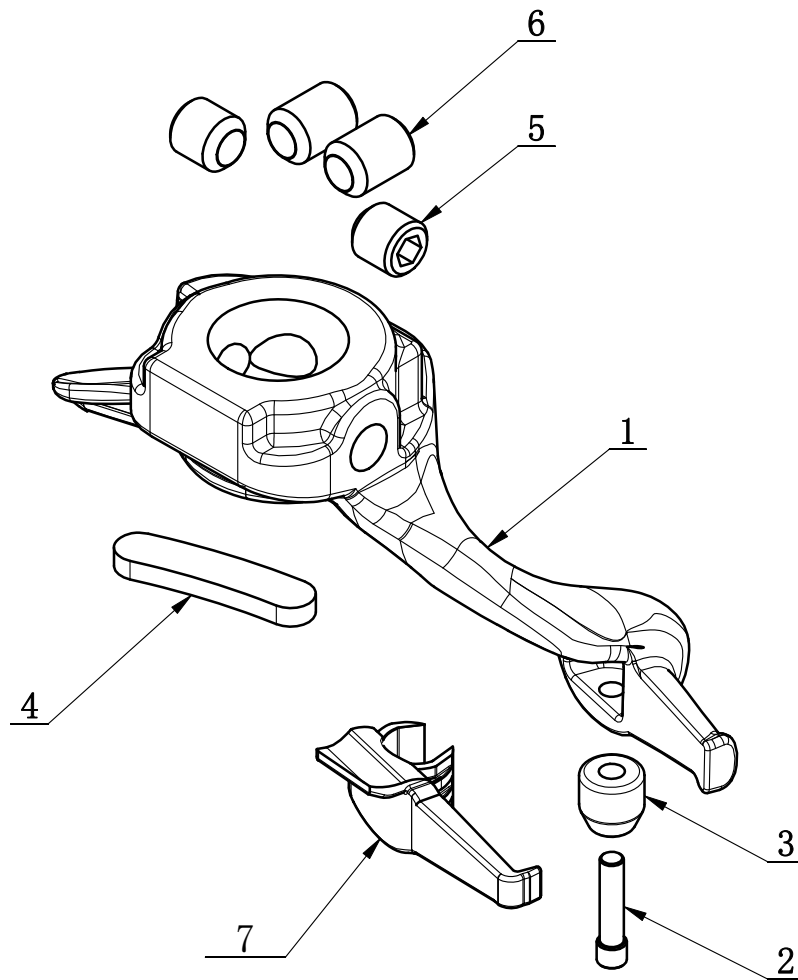


ITEM	PART. No	DESCRIPTION.	QT. Y
1	C-71-1320001	LOCK TURNTABLE CYLINDER HEAD	1
2	C-71-1320002	LOCK CYLINDER BODY	1
3	C-71-1320003	Y-RING	1
4	GB70. 1-M6×35	INNER HEXA CYLINDRICAL SCREW	2
5	GB3452. 1-6×1.8-G	HYDRAULIC-PNEUMATIC RUBBER O-RING G TYPE	2
6	PBS 6-01	MALE BRANCH TEE NUT	1

C-71-1330000

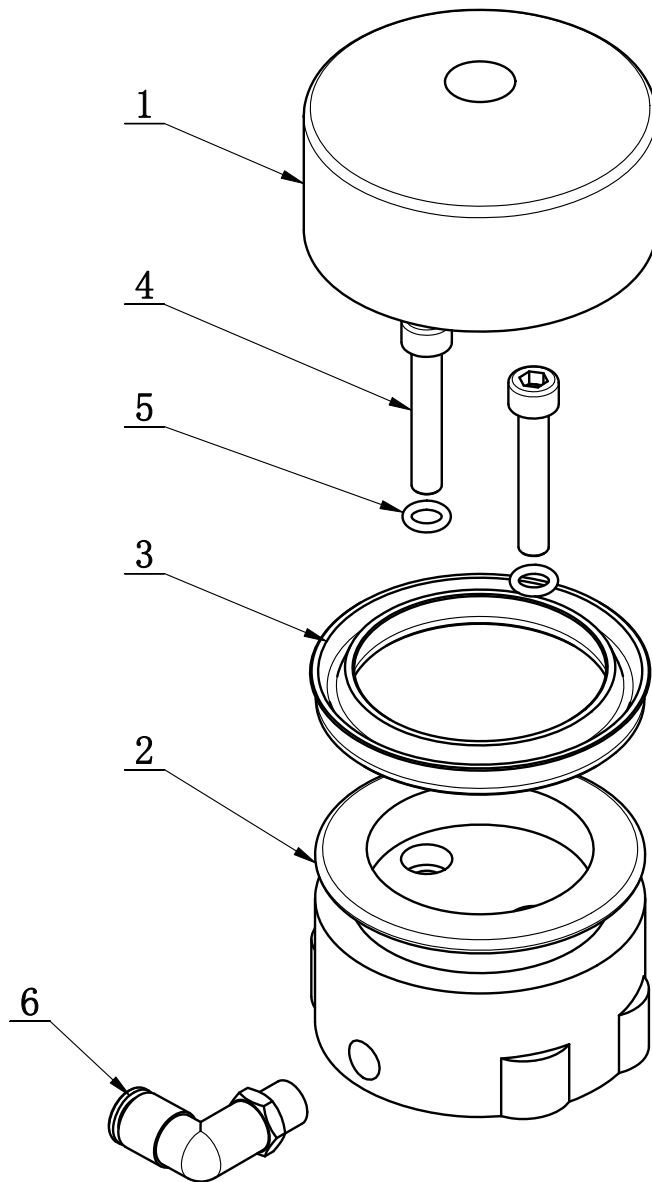


ITEM	PART. No	DESCRIPTION.	QT. Y
1	C-71-1330001	HANDLE CONTROL VALVE	1
2	C-71-1330002	VALVE ROD	1
3	C-71-1330003	VALVE SPACER	3
4	C-71-1330004	FRONT COVER	2
5	C-71-1330005	REAR COVER	1
6	C-71-1330006	FRONT SEALING COVER	1
7	MFPC 6-01	MALE STRAIGHT	2
8	GB3452. 1-8×2. 65-A	HYDRAULIC-PNEUMATIC RUBBER O-RING A TYPE	4



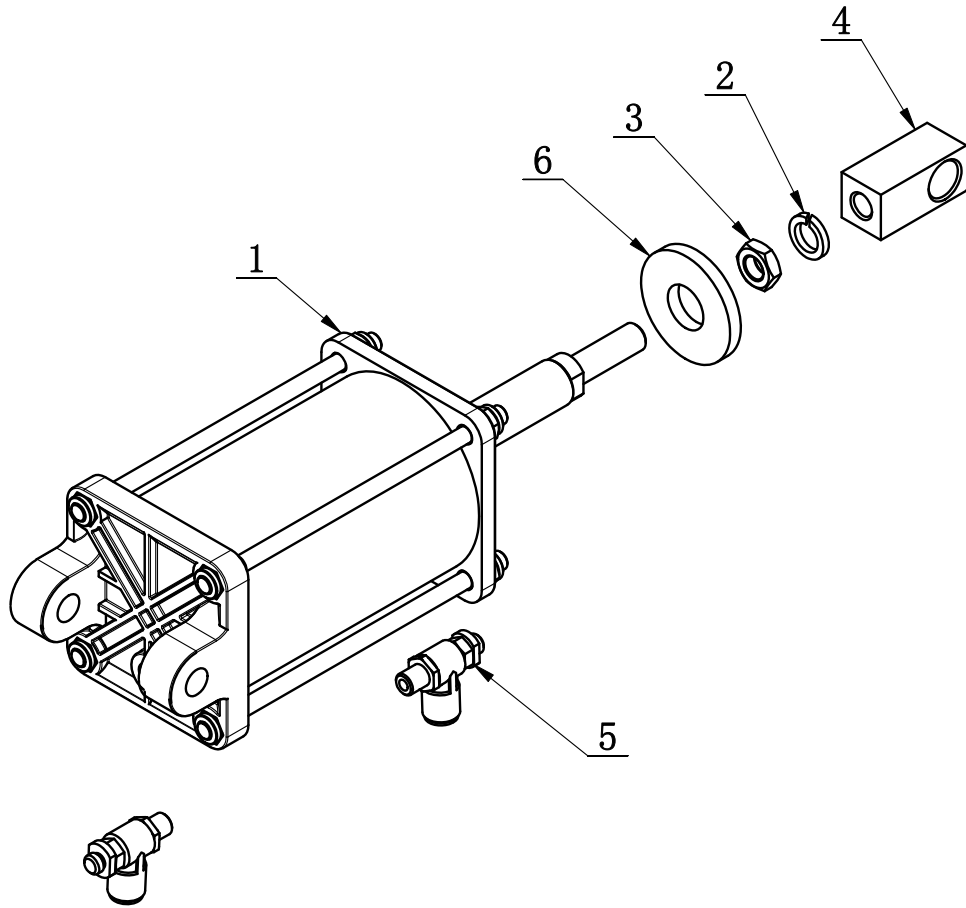
ITEM	PART. No	DESCRIPTION.	QT. Y
1	C-54-1300004	DEMOUNTING HEAD	1
2	C-54-1300006	ROLLER BOLT	1
3	C-54-1300009	ROLLER	1
4	C-54-8000007	TOOL HEAF TAIL WASHER	1
5	GB80-M12×12	INNER HEXA RECESSED TERMINUS SET SCREW	2
6	GB80-M12×16	INNER HEXA RECESSED TERMINUS SET SCREW	2
7	C-54-1300014	SHEATH	1

C-77-1500000



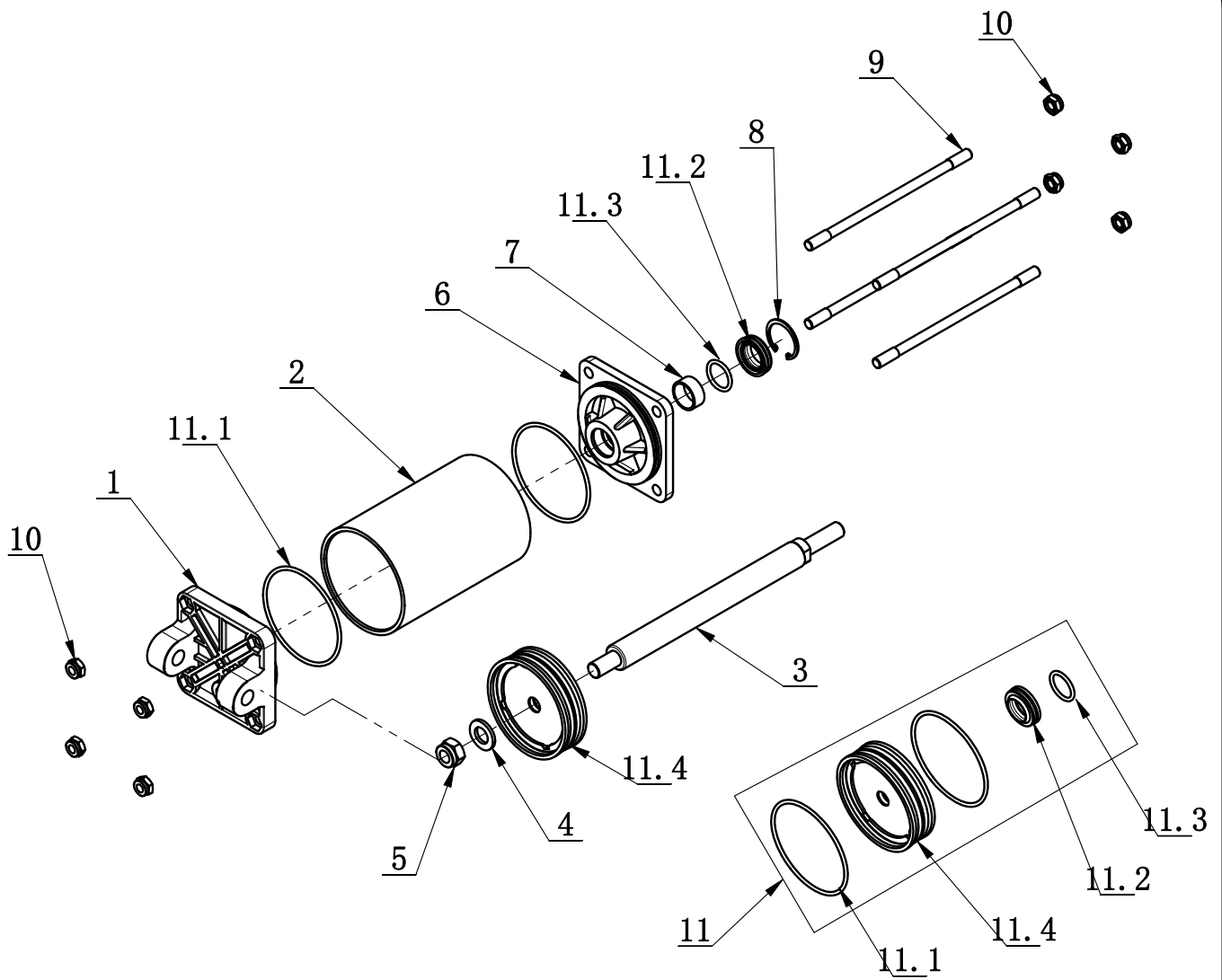
ITEM	PART. No	DESCRIPTION.	QT. Y
1	C-71-1320001	LOCK TURNTABLE CYLINDER HEAD	1
2	C-71-1320002	LOCK CYLINDER BODY	1
3	C-71-1320003	Y-RING	1
4	GB70. 1-M6×35	INNER HEXA CYLINDRICAL SCREW	2
5	GB3452. 1-6×1.8-G	HYDRAULIC-PNEUMATIC RUBBER O-RING G TYPE	2
6	FPL 6-01	MALE ELBOW	1

CT-XD-3000000

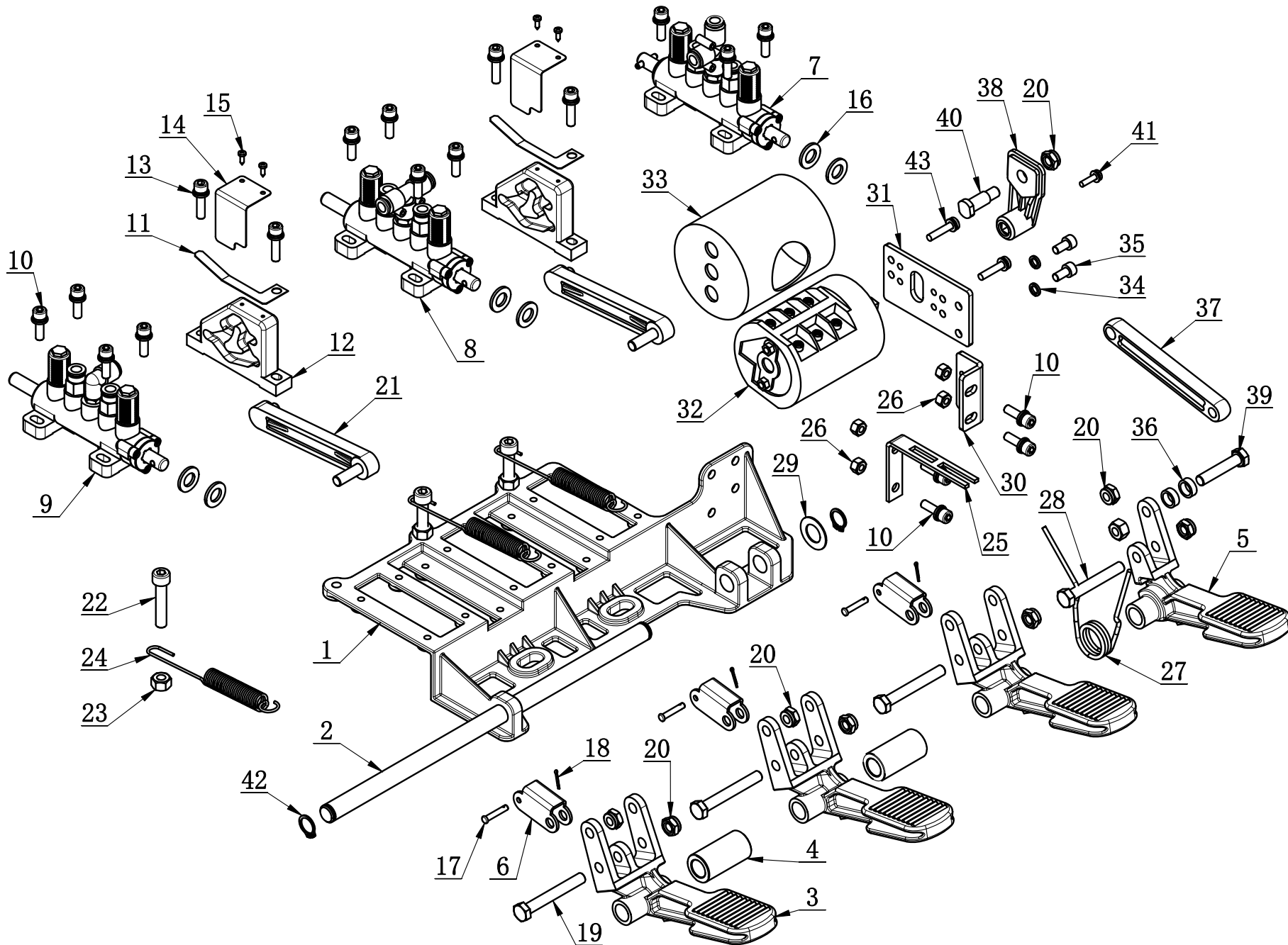


ITEM	PART. No	DESCRIPTION.	QT. Y
1	CT-XD-3100000	PULL-OUT CYLINDER	1
2	GB93-12	STANDARD SPRING WASHER	1
3	GB6172. 1-M12	HEXANGULAR THIN NUT	1
4	CT-XD-1000004	SHAFT CONNECTOR	1
5	FJSC 8-01	ELBOW SPEED CONTROLLER	2
6	H-12-1000001	FELT WASHER	1

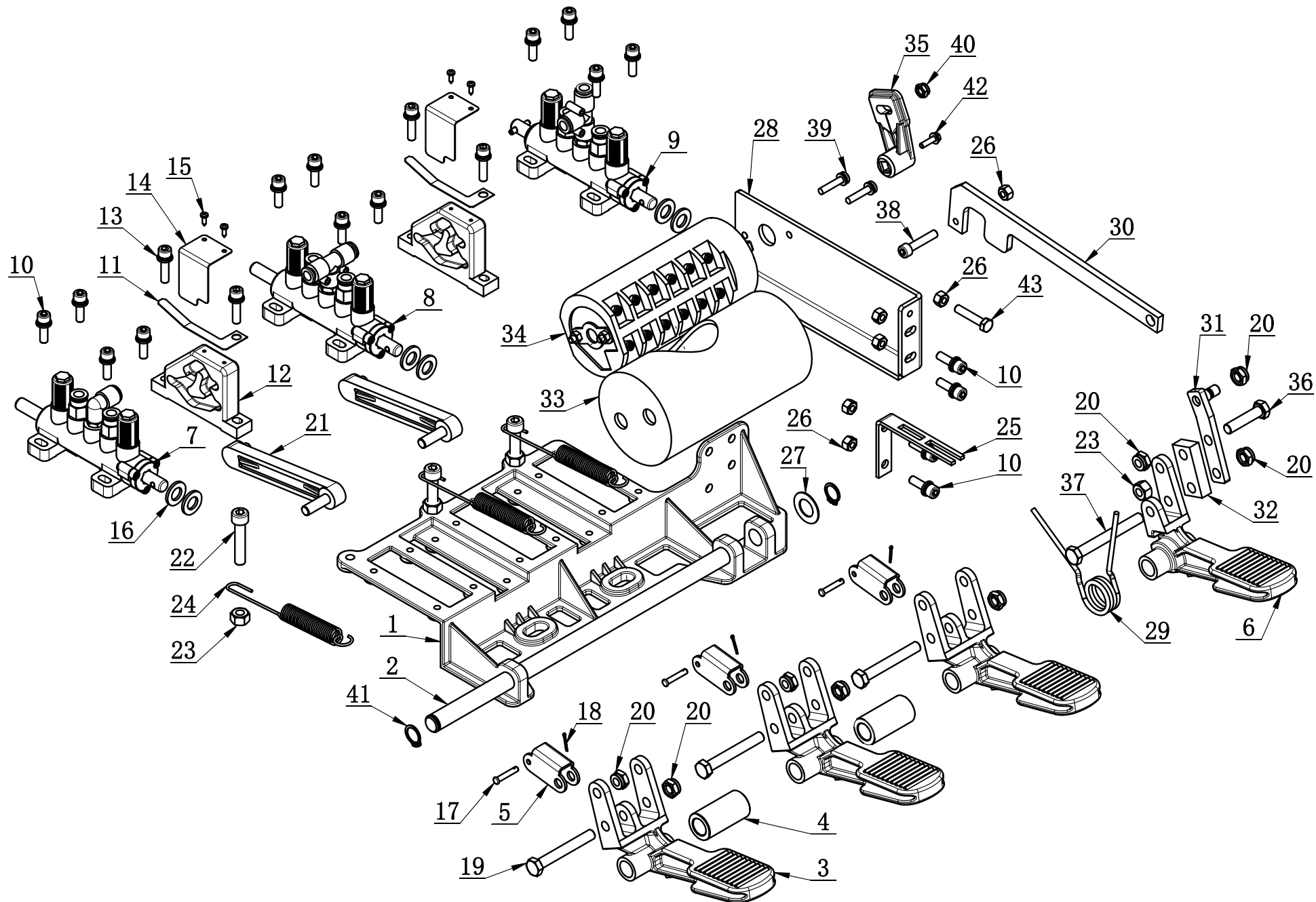
CT-XD-3100000



ITEM	PART. No	DESCRIPTION.	QT. Y
1	CT-XD-1000005	CYLINDER REAR COVER	1
2	CT-XD-1000001	CYLINDER BODY	1
3	CT-XD-2000002	SHAFT-CYLINDER	1
4	GB95-12	FLAT WASHER	1
5	GB889. 1-M12	1- TYPE PREVAILING TORQUE TYPE HEXAGON LOCK NUT	1
6	CT-Y-4120004	CYLINDER FRONT COVER	1
7	GB12613-23×20×10	BEARING-SLIDE	1
8	GB893. 1-30	ELASTIC RETAINING RING A-TYPE	1
9	CT-XD-1000003	BAR	4
10	GB889. 1-M8	1-TYPE PREVAILING TORQUE TYPE HEXAGON LOCK NUT	8
11	CT-Y-4121000	CYLINDER SEALING PARTS ASSEMBLY	1
11.1	GB3452. 1-75×2.65-G	HYDRAULIC-PNEUMATIC RUBBER O-RING G TYPE	2
11.2	CT-Y-0160007	SEAL-ROD, CYLINDER	1
11.3	GB3452. 1-20×2.65-G	HYDRAULIC-PNEUMATIC RUBBER O-RING G TYPE	1
11.4	CT-Y-4120006	PISTON	1

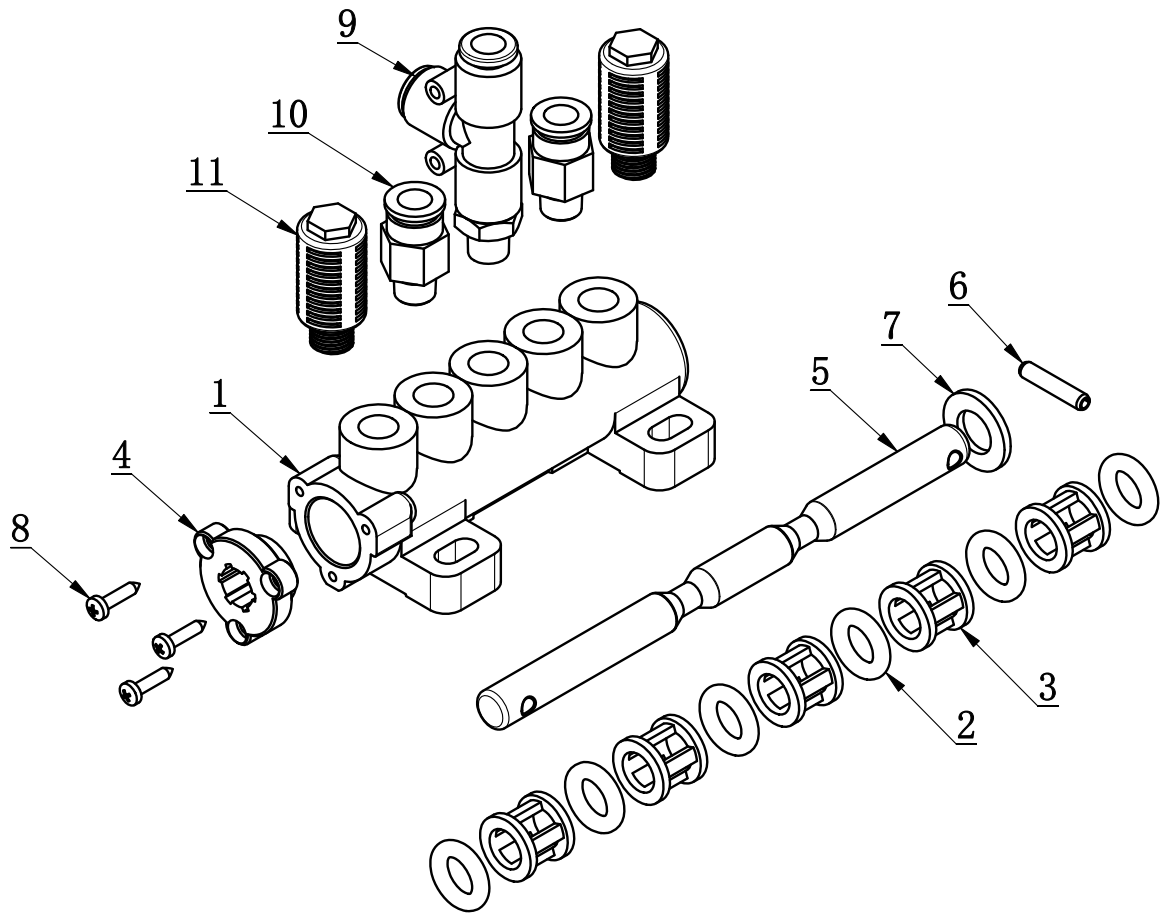


ITEM	PART. No	DESCRIPTION.	QT. Y
1	CT-D-6100001	PEDAL SUPPORT	1
2	CT-D-6100002	BOTTOM SHAFT	1
3	CT-D-9100002	PEDAL	3
4	CT-D-2100001	SPACER	2
5	CT-D-9100001	PEDAL	1
6	CT-D-5100005	CONNECTION PART	3
7	CT-D-0010000	VALVE	1
8	CT-D-0014000	VALVE	1
9	CT-D-0012000	VALVE	1
10	GB9074-M6×20	COMBINATION SCREW	15
11	CT-D-2100004	FORK SPRING PLATE	2
12	CT-D-1100009B	CAM	2
13	GB9074-M6×25	COMBINATION SCREW	4
14	CT-D-1100011A	CAM BAFFLE PLATE	2
15	GB845-ST2. 9×9.5 H C	CROSS PANHEAD TAPPING SCREW	4
16	GB95-10	FLAT WASHER	6
17	GB882-4×22	PIN SHAFT	3
18	GB91-1.6×10	SLOTTED PIN	3
19	GB5783-M8×60	HEXANGULAR BOLT	3
20	GB889. 1-M8	1-TYPE PREVAILING TORQUE TYPE HEXAGON LOCK NUT	8
21	CT-D-1100008	CAM CONNECTING ROD	2
22	GB70. 1-M8×40	INNER HEXA CYLINDRICAL SCREW	3
23	GB41-M8	HEXANGULAR NUT	4
24	CT-D-5100007	SPRING	3
25	CT-D-2100010	TORSION SPRING BRACKET	1
26	GB41-M6	HEXANGULAR NUT	4
27	CT-D-2100002	TORSION SPRING	1
28	GB5782-M8×55	HEXANGULAR BOLT	1
29	CT-D-2100014	WASHER	1
30	CT-D-5100008	SWITCH SUPPORT	1
31	CT-D-5100009A	SWITCH SUPPORT	1
32	CT-D-1100018	SWITCH	1
33	CT-D-1100014	SWITCH COVER	1
34	GB93-6	STANDARD SPRING WASHER	2
35	GB70. 1-M6×12	INNER HEXA CYLINDRICAL SCREW	2
36	CT-D-2100005	SPACER	2
37	CT-D-2100011	CONNECTION ROD	1
38	CT-D-1100010	REVERSE LEVER	1
39	GB5783-M8×40	HEXANGULAR BOLT	1
40	CT-D-2100012	ROTATION SHAFT	1
41	GB9074. 4-M4×16	COMBINATION SCREW	1
42	GB894. 1-14	SHAFT ELATIC BIG RETAINING RING A-TYPE	2
43	GB9074. 4-M5×25	COMBINATION SCREW	2

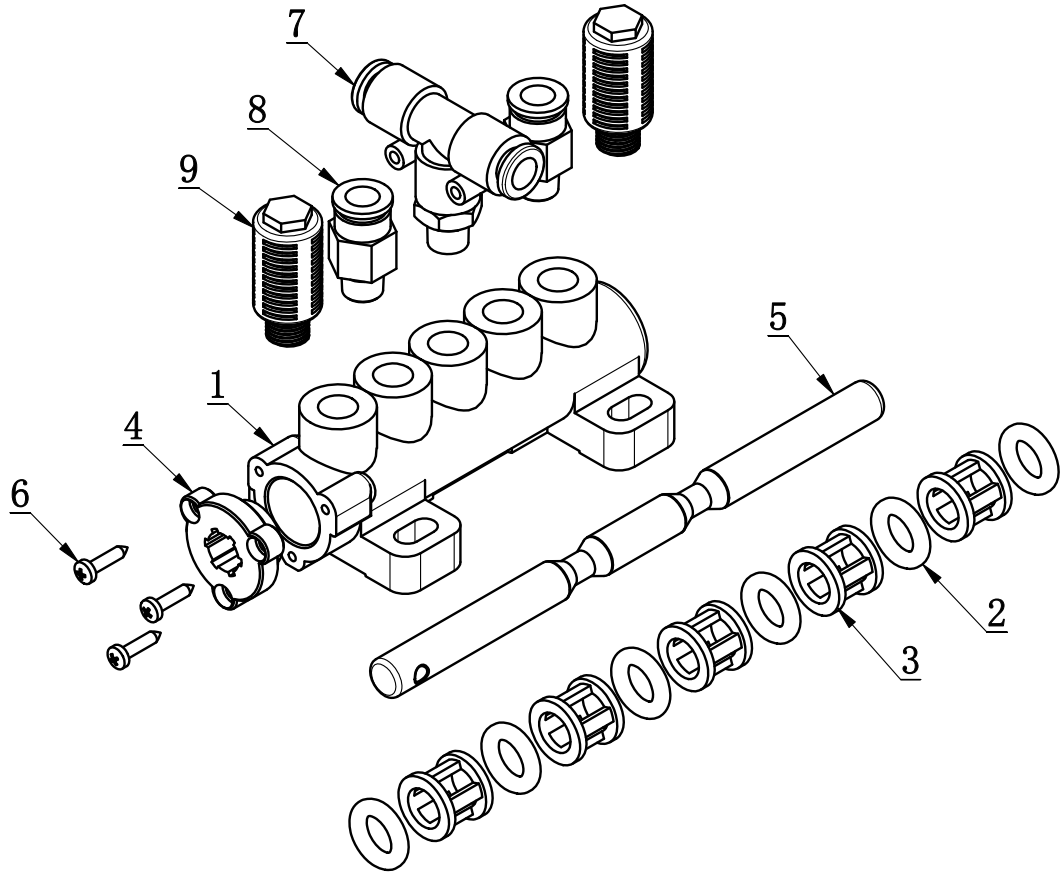


## CT-D-B300000

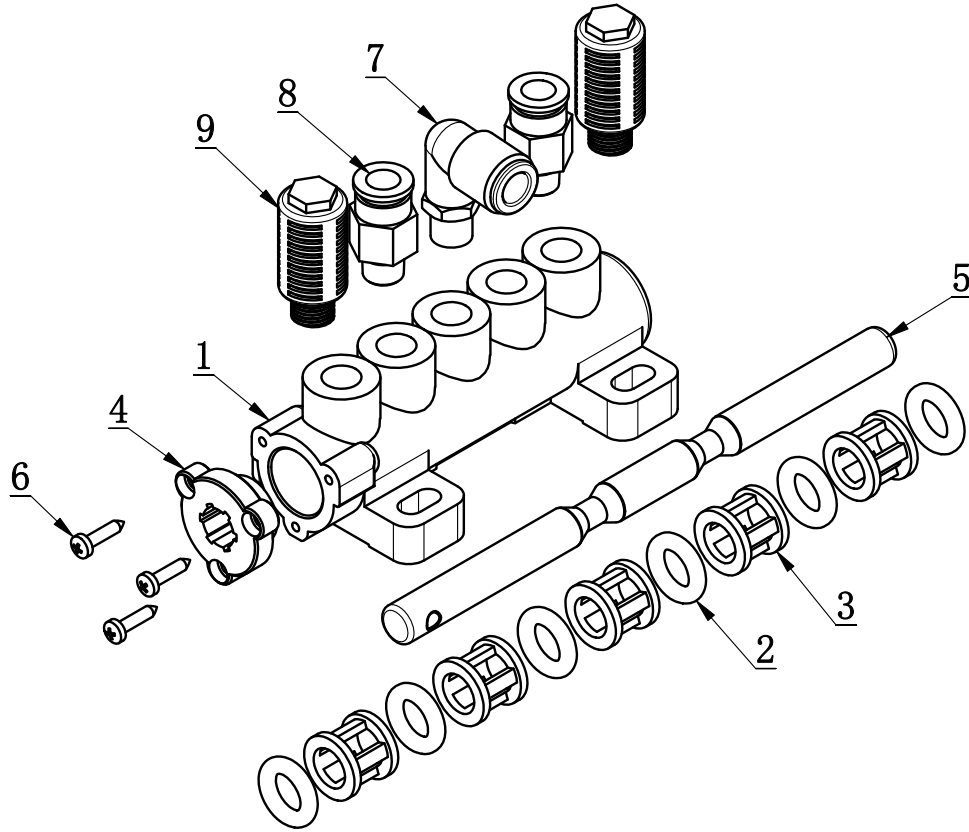
ITEM	PART. No	DESCRIPTION.	QT. Y
1	CT-D-6100001	PEDAL SUPPORT	1
2	CT-D-6100002	BOTTOM SHAFT	1
3	CT-D-9100002	PEDAL	3
4	CT-D-2100001	SPACER	2
5	CT-D-5100005	CONNECTION PART	3
6	CT-D-9100001	PEDAL	1
7	CT-D-0012000	VALVE	1
8	CT-D-0014000	VALVE	1
9	CT-D-0010000	VALVE	1
10	GB9074-M6×20	COMBINATION SCREW	16
11	CT-D-2100004	FORK SPRING PLATE	2
12	CT-D-1100009B	CAM	2
13	GB9074-M6×25	COMBINATION SCREW	4
14	CT-D-1100011A	CAM BAFFLE PLATE	2
15	GB845-ST2.9×9.5 H C	CROSS PANHEAD TAPPING SCREW	4
16	GB95-10	FLAT WASHER	6
17	GB882-4×22	PIN SHAFT	3
18	GB91-1.6×10	SLOTTED PIN	3
19	GB5783-M8×60	HEXANGULAR BOLT	3
20	GB889.1-M8	1-TYPE PREVAILING TORQUE TYPE HEXAGON LOCK NUT	8
21	CT-D-1100008	CAM CONNECTING ROD	2
22	GB70.1-M8×40	INNER HEXA CYLINDRICAL SCREW	3
23	GB41-M8	HEXANGULAR NUT	4
24	CT-D-5100007	SPRING	3
25	CT-D-2100010	TORSION SPRING BRACKET	1
26	GB41-M6	HEXANGULAR NUT	6
27	CT-D-2100014	WASHER	1
28	CT-D-8100001	SWITCH BARCKET	1
29	CT-D-7100001	TORSION SPRING	1
30	CT-D-7100002	SWITCH CONNECTING PLATE	1
31	CT-D-7100004H	BRACKET PLATE	1
32	CT-D-7100005	SAPCER PLATE	1
33	CT-D-7100006	SWITCH COVER	1
34	CT-D-7100007	SWITCH	1
35	CT-D-7100008	REVERSE LEVER	1
36	GB5783-M8×35	HEXANGULAR BOLT	1
37	GB5783-M8×70	HEXANGULAR BOLT	1
38	GB70.1-M6×30	INNER HEXA CYLINDRICAL SCREW	1
39	GB9074.4-M5×25	COMBINATION SCREW	2
40	GB889.1-M6	1-TYPE PREVAILING TORQUE TYPE HEXAGON LOCK NUT	1
41	GB894.1-14	SHAFT ELATIC BIG RETAINING RING A-TYPE	2
42	GB9074.13-M4×16	COMBINATION SCREW	1
43	GB5783-M6×30	HEXANGULAR BOLT	1



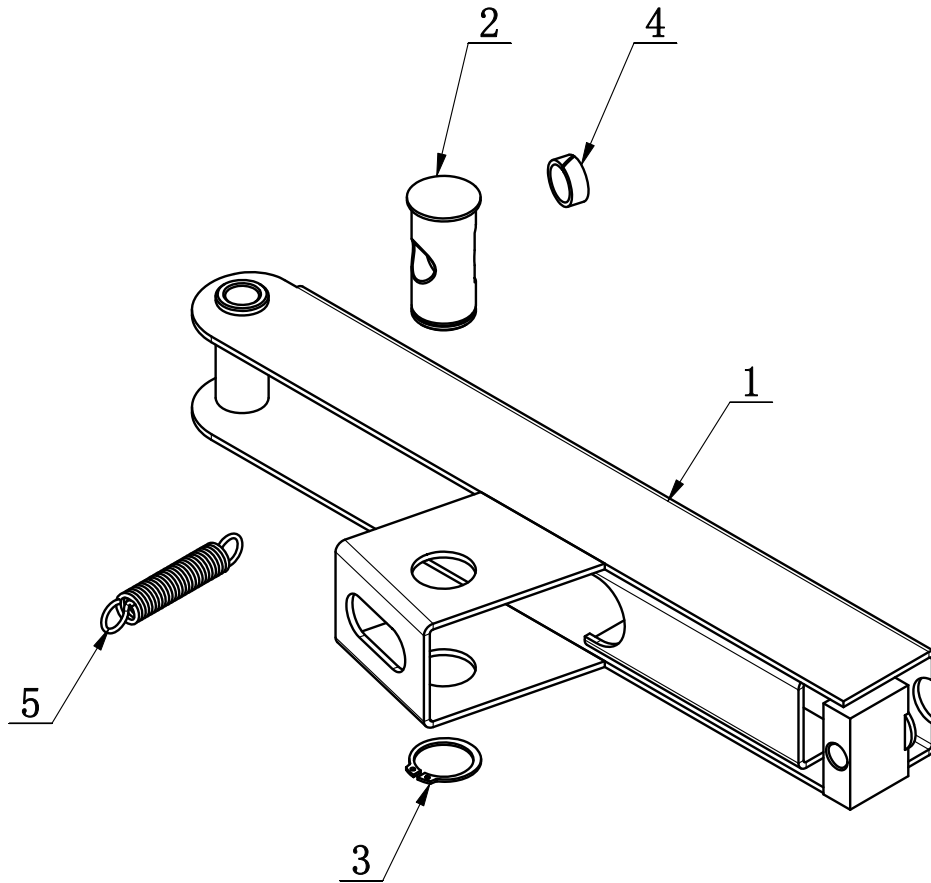
ITEM	PART. No	DESCRIPTION.	QT. Y
1	CT-D-1110001	VALVE BODY	1
2	CT-D-1110003	O-RING	6
3	CT-D-1110004	SPACER	5
4	CT-D-1110005	VALVE CAP	1
5	CT-D-2600001	VALVE ROD	1
6	GB879. 1-4×20	ELASTIC CYLINDRICAL PIN, HEAVY	1
7	GB95-10	FLAT WASHER	1
8	GB845-ST2. 9×13 H C	CROSS PANHEAD TAPPING SCREW	3
9	FPD 8-01	MALE RUN TEE	1
10	FPC 8-01	MALE STRAIGHT	2
11	FSK 01	PLASTIC PARTICLE SILENCER	2



ITEM	PART. No	DESCRIPTION.	QT. Y
1	CT-D-1110001	VALVE BODY	1
2	CT-D-1110003	O-RING	6
3	CT-D-1110004	SPACER	5
4	CT-D-1110005	VALVE CAP	1
5	CT-D-2600003	VALVE ROD	1
6	GB845-ST2.9×13 H C	CROSS PANHEAD TAPPING SCREW	3
7	FPB 8-01	INSERT TEE, Φ8 , R1/8	1
8	FPC 8-01	MALE STRAIGHT	2
9	FSK 01	PLASTIC PARTICLE SILENCER	2

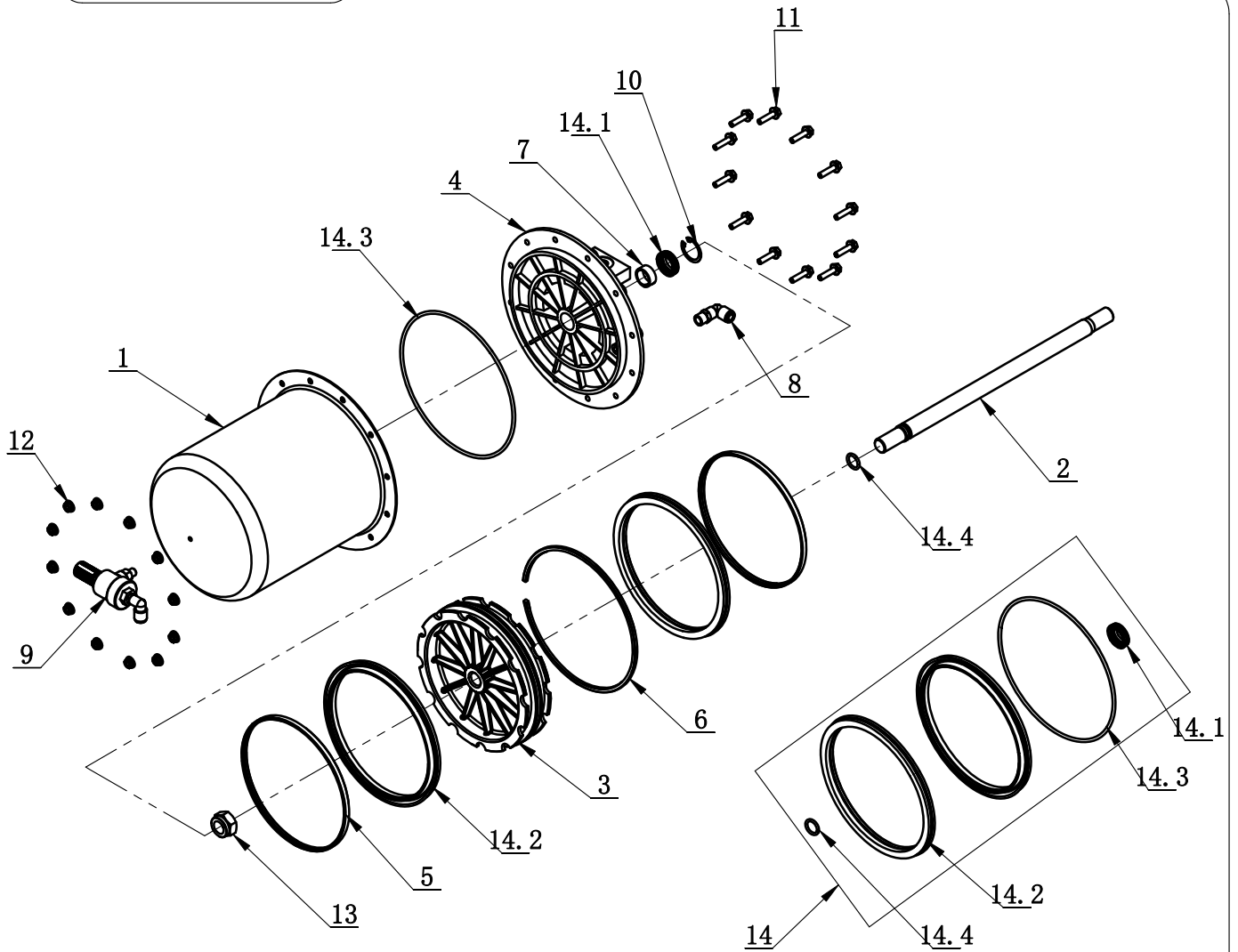


ITEM	PART. No	DESCRIPTION.	QT. Y
1	CT-D-1110001	VALVE BODY	1
2	CT-D-1110003	O-RING	6
3	CT-D-1110004	SPACER	5
4	CT-D-1110005	VALVE CAP	1
5	CT-D-2600003	VALVE ROD	1
6	GB845-ST2.9×13 H C	CROSS PANHEAD TAPPING SCREW	3
7	FPL 8-01	INSERT ELBOW Φ8, R1/8	1
8	FPC 8-01	MALE STRAIGHT	2
9	FSK 01	PLASTIC PARTICLE SILENCER	2

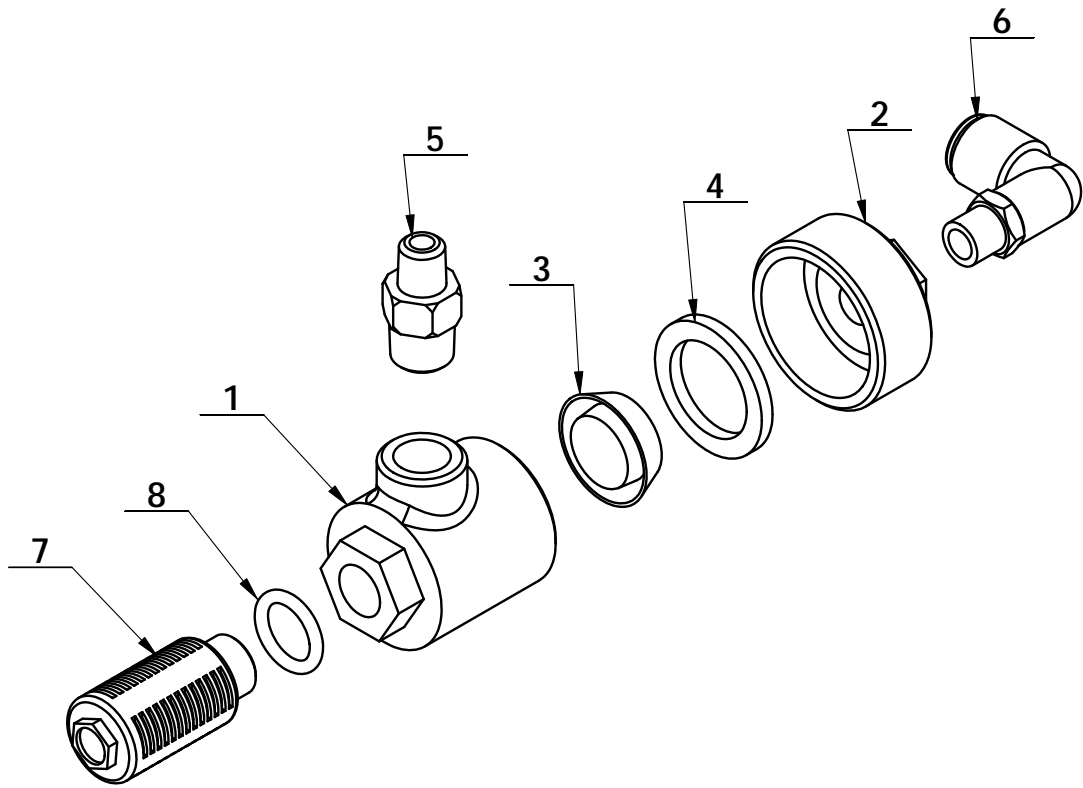


ITEM	PART. No	DESCRIPTION.	QT. Y
1	CT-B-4100000	BEAD BREAKING ARM ASSEMBLY	1
2	CT-B-4000001	BEAD BREAKING ARM SLIDE BUSHING	1
3	GB894. 1-34	SHAFT ELATIC BIG RETAINING RING A-TYPE	1
4	CT-B-2000001	SLIDE SPACER	1
5	CT-B-4000003	SPRING	1

CT-LS-1600000

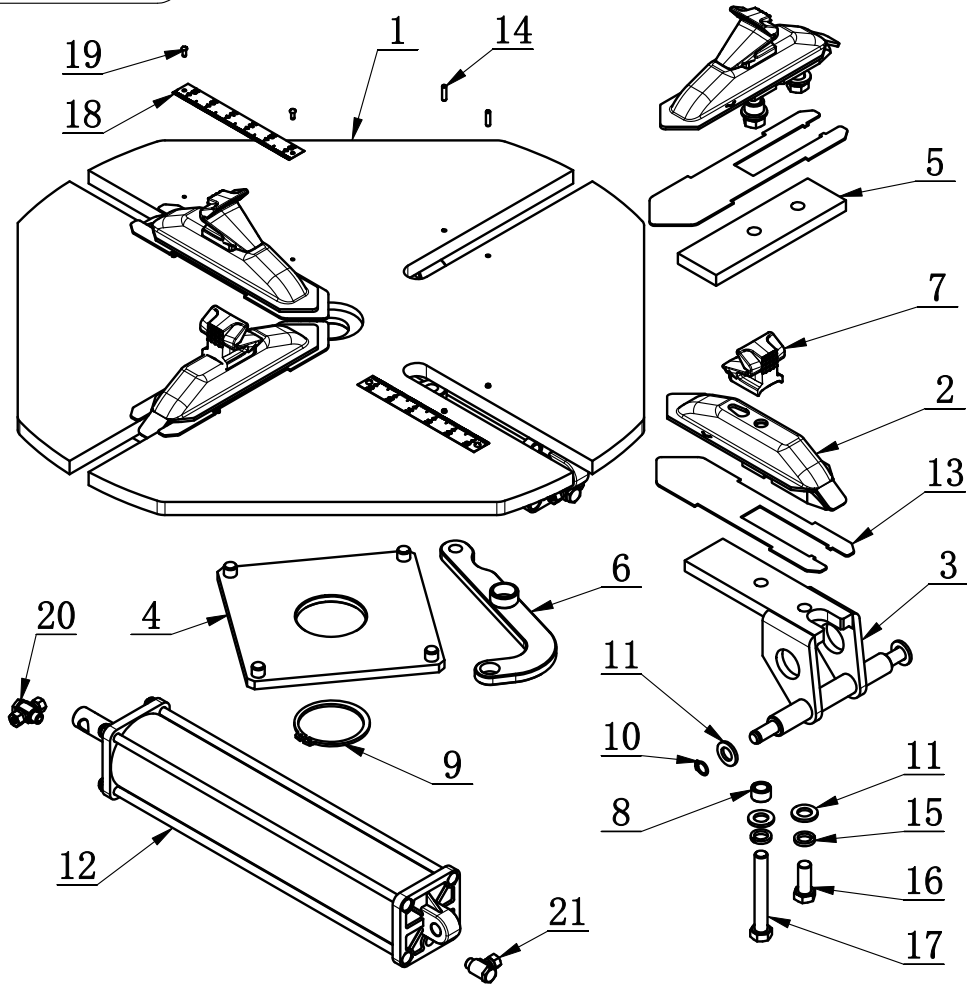


ITEM	PART. No	DESCRIPTION.	QT. Y
1	CT-LS-1100002	CYLINDER BODY	1
2	CT-LS-1100001	CYLINDER PISTON ROD	1
3	CT-LS-1100003	PISTON	1
4	CT-LS-1100004	CYLINDER COVER	1
5	CT-LS-1100006	CLAMP RING	2
6	CT-LS-1100007	PISTION SUPPORT RING	1
7	CT-LS-1100008	GUIDER SPACER	1
8	FPL 8-02	INSERT ELBOW $\Phi 8, R1/4$	1
9	CT-LS-1320000	QUICK DEFLATE VALVE ON BODY	1
10	GB893. 2-30	ELASTIC RETAINING RING B-TYPE	1
11	GB5789-AM6×25	HEXA FLANGE BOLT	12
12	GB6177. 1-M6	HEXA FLANGE NUT	12
13	GB889. 2-M18×1. 5	NUT M18×1. 5	1
14	CT-LS-1110000	CYLINDER SEALING PARTS ASSEMBLY	1
14. 1	CT-Y-0160007	SEAL-ROD, CYLNDR	1
14. 2	CT-LS-1100009	Y-RING	2
14. 3	GB3452. 1-185×3. 55-G	O-RING G TYPE	1
14. 4	GB3452. 1-15. 5×2. 65-G	HYDRAULIC-PNEUMATIC RUBBER O-RING G TYPE	1



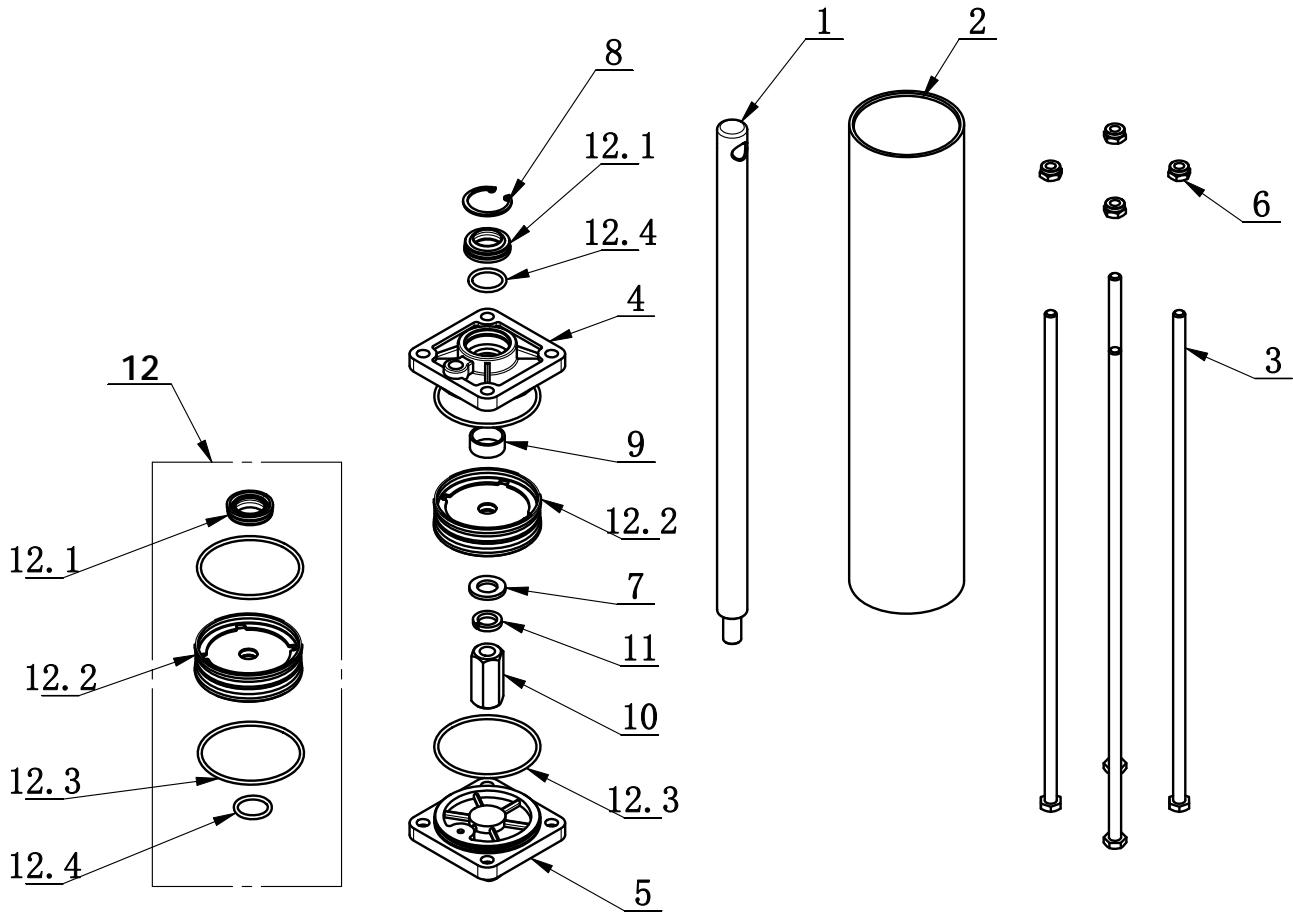
ITEM	PART. No	DESCRIPTION.	QT. Y
1	CT-LS-1310001	LOWER COVER OF QUICK DEFLATE VALVE	1
2	CT-LS-1310002	COVER OF QUICK DEFLATE VALVE	1
3	CT-LS-1310003	PISTON	1
4	CT-LS-1310004	RUBBER WASHER	1
5	CT-K-1100007	FITTING	1
6	FPL 8-01	INSERT ELBOW $\Phi 8$ , R1/8	1
7	FSK 02	PLASTIC PARTICLE SILENCER	1
8	GB3452. 1-12. 8 $\times$ 2. 65-G	HYDRAULIC-PNEUMATIC RUBBER O-RING G TYPE	1

CT-Y-1600000

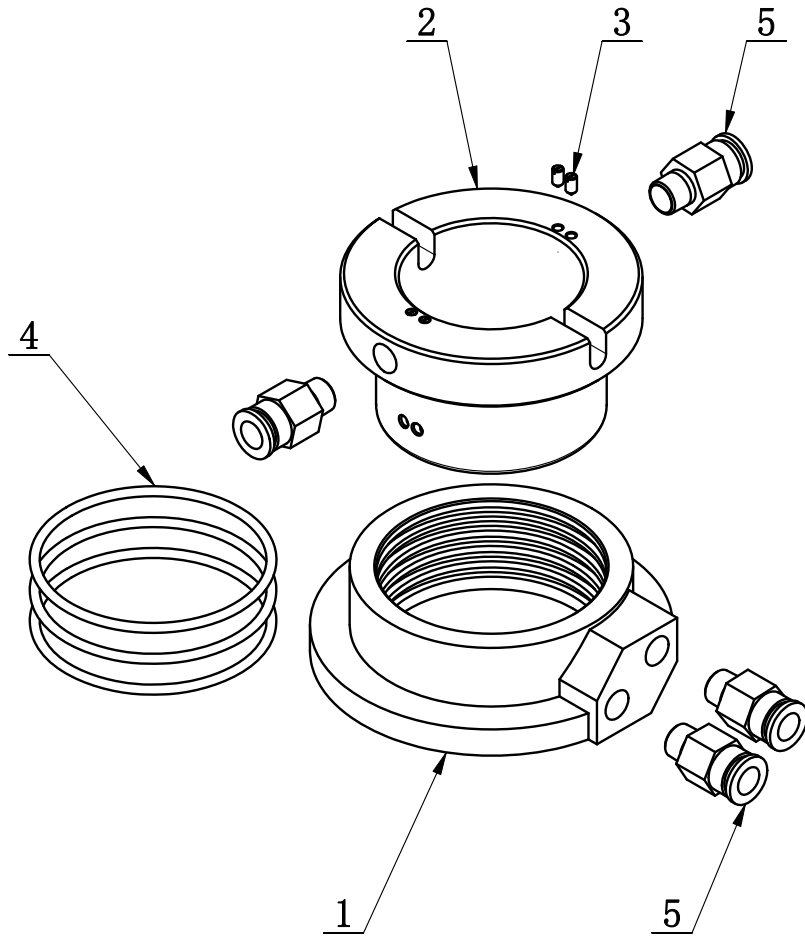


ITEM	PART. No	DESCRIPTION.	QT. Y
1	CT-Y-1610000	TURNTABLE	1
2	CT-Y-0710000	SLIDE COVER	4
3	CT-Y-1140000	BRACKET-CYLINDER	2
4	CT-Y-0150000	SQUARE TURNTABLE	1
5	CT-Y-1100001	PRESS BOARD	2
6	CT-Y-1150000	CONNECTION PLATE	4
7	CT-Y-0100002	CLAMP	4
8	CT-Y-0100003	SPACER	4
9	GB894. 1-65	SHAFT ELATIC BIG RETAINING RING A-TYPE	1
10	GB894. 1-12	SHAFT ELATIC BIG RETAINING RING A-TYPE	4
11	GB95-12	FLAT WASHER	12
12	CT-Y-1430000	CYLINDER ASSEMBLY	2
13	CT-Y-1400001	WEARABLE WASHER	4
14	GB879. 1-4×16	ELASTIC CYLINDRICAL PIN, HEAVY	8
15	GB93-12	STANDARD SPRING WASHER	8
16	GB5783-M12×30	HEXANGULAR BOLT	4
17	GB5782-M12×85	HEXANGULAR BOLT	4
18	CT-Y-1600001	SCALE	2
19	GB827-3×8	LABEL RIVET	4
20	CT-Y-0100008	HINGE ELBOW Φ8 G1/8	2
21	CT-Y-0100006	HINGE ELBOW Φ8 G1/8	2

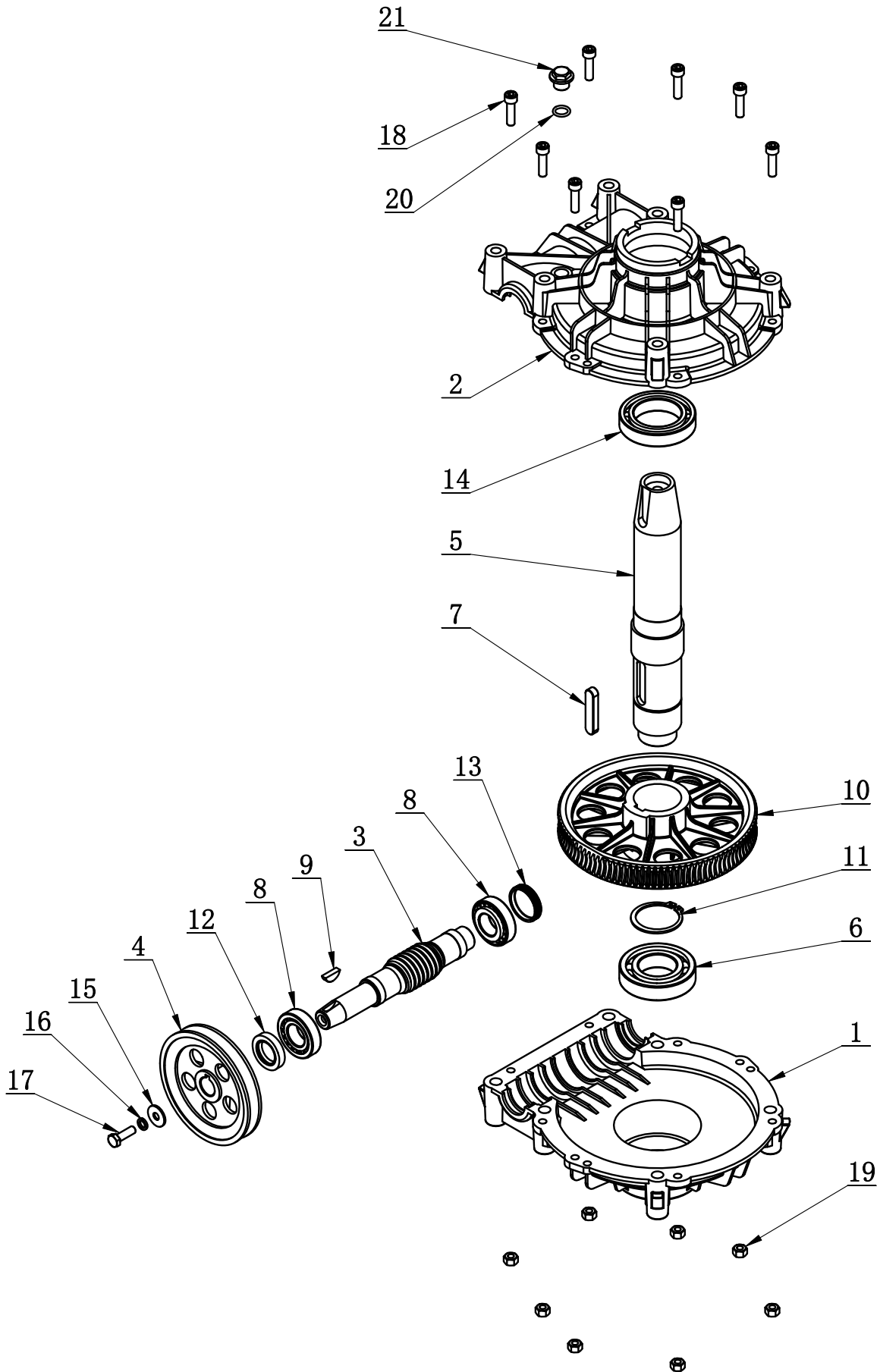
CT-Y-1430000



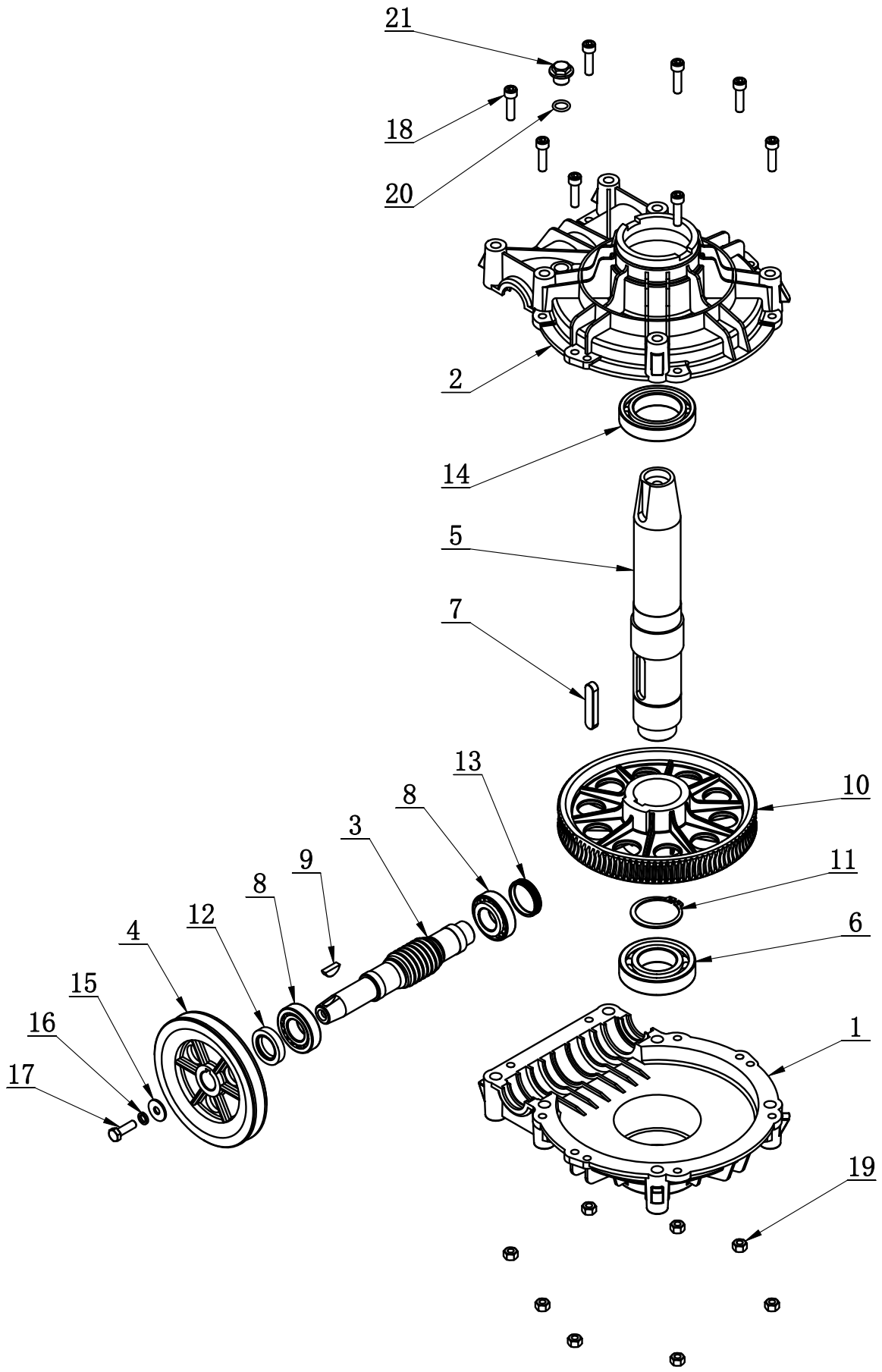
ITEM	PART. No	DESCRIPTION.	QT. Y
1	CT-Y-1120001	SHAFT-CYLNDR	1
2	CT-Y-1120002	SLEEVE-CYLNDR 70	1
3	CT-Y-1120003	BOLT	4
4	CT-Y-0160002	FRONT COVER	1
5	CT-Y-0160003	REAR COVER	1
6	GB889. 1-M8	1-TYPE PREVAILING TORQUE TYPE HEXAGON LOCK NUT	4
7	GB95-12	FLAT WASHER	1
8	GB893. 1-30	ELASTIC RETAINING RING A-TYPE	1
9	GB12613-23×20×10	BEARING-SLIDE	1
10	CT-Y-1430001	AN ELONGATED NUT	1
11	GB93-12	STANDARD SPRING WASHER	1
12	CT-Y-1121000	CYLINDER SEALING PARTS ASSEMBLY	1
12.1	CT-Y-0160007	SEAL-ROD, CYLNDR	1
12.2	CT-Y-0161000	PISTON	1
12.3	GB3452. 1-65×2. 65-G	HYDRAULIC-PNEUMATIC RUBBER O-RING G TYPE	2
12.4	GB3452. 1-20×2. 65-G	HYDRAULIC-PNEUMATIC RUBBER O-RING G TYPE	1



ITEM	PART. No	DESCRIPTION.	QT. Y
1	CT-Q-1000001	AIR GUIDE EXTERNAL BUSHING	1
2	CT-Q-1000002	AIR GUIDE ROTATION BUSHING	1
3	GB71-M3×6	SLOTTED CONIC HEAD SET SCREW	4
4	GB3452. 1-60×2. 65-G	HYDRAULIC-PNEUMATIC RUBBER O-RING G TYPE	3
5	FPC 8-01	MALE STRAIGHT	4

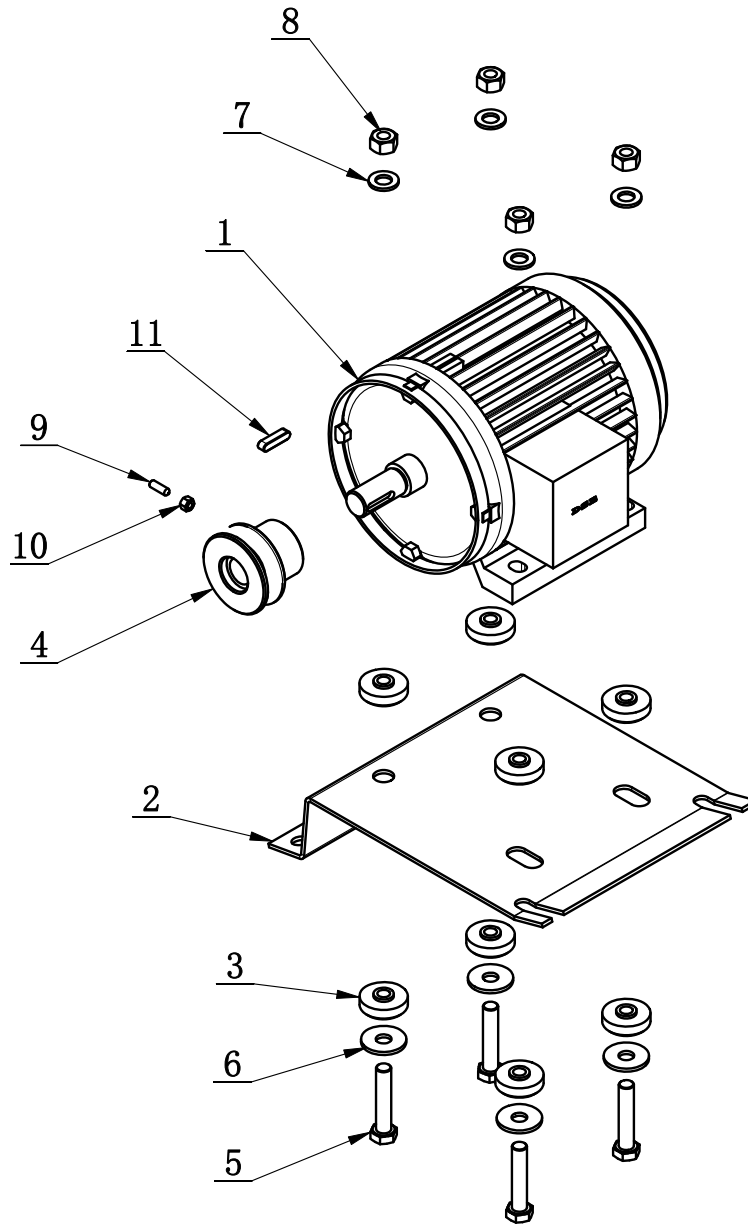


ITEM	PART. No	DESCRIPTION.	QT. Y
1	CT-J-0000005	GEARBOX	1
2	CT-J-0000006	GEARBOX TOP	1
3	CT-J-0000004	WORM ROD	1
4	CT-J-0000008	BELT PULLEY	1
5	CT-J-0000001	WORM SHAFT	1
6	GB276-6208	BEARING	1
7	GB1096-12×8×56	COMMON FLAT KEY	1
8	GB297-30205	BEARING	2
9	GB1099. 1-6×9×22	COMMON SEMI-CIRCULAR KEY	1
10	CT-J-0000003	WORM	1
11	GB894. 1-50	RETAINING RING A-TYPE	1
12	FB25-40 GB13871. 92	SEALED RING	1
13	CT-J-0100000	CAP	1
14	GB276-6010	DEEP GROOVE BALL BEARINGS	1
15	GB96. 2-8	LARGE WASHER C GRADE	1
16	GB93-8	STANDARD SPRING WASHER	1
17	GB5783-M8×25	HEXANGULAR BOLT	1
18	GB70. 1-M8×30	INNER HEXA CYLINDRICAL SCREW	8
19	GB41-M8	HEXANGULAR NUT	8
20	GB3452. 1-13. 2×2. 65-G	HYDRAULIC-PNEUMATIC RUBBER O-RING G TYPE	1
21	TC-10-1400013	BOLT	1



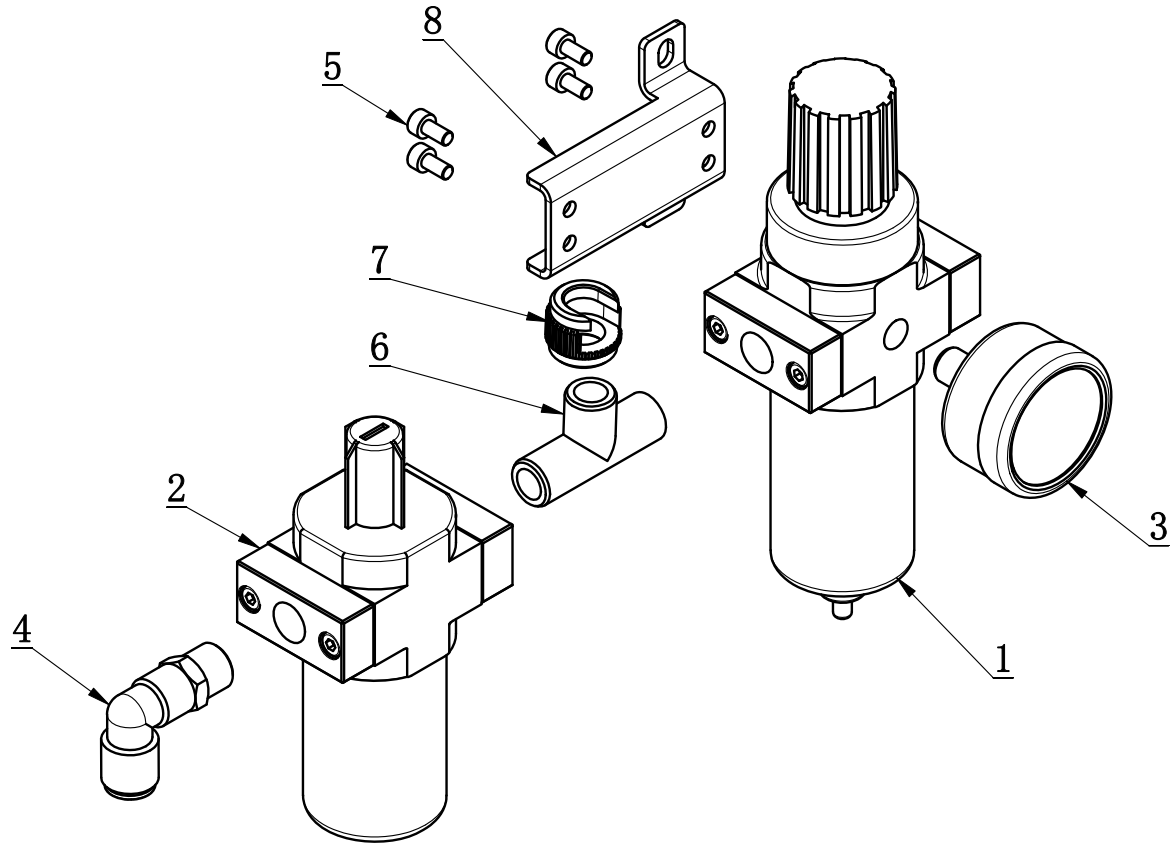
ITEM	PART. No	DESCRIPTION.	QT. Y
1	CT-J-0000005	GEARBOX	1
2	CT-J-0000006	GEARBOX TOP	1
3	CT-J-0000004	WORM ROD	1
4	CT-J-0000007	BELT PULLEY	1
5	CT-J-0000001	WORM SHAFT	1
6	GB276-6208	BEARING	1
7	GB1096-12×8×56	COMMON FLAT KEY	1
8	GB297-30205	BEARING	2
9	GB1099. 1-6×9×22	COMMON SEMI-CIRCULAR KEY	1
10	CT-J-0000003	WORM	1
11	GB894. 1-50	RETAINING RING A-TYPE	1
12	FB25-40 GB13871. 92	SEALED RING	1
13	CT-J-0100000	CAP	1
14	GB276-6010	DEEP GROOVE BALL BEARINGS	1
15	GB96. 2-8	LARGE WASHER C GRADE	1
16	GB93-8	STANDARD SPRING WASHER	1
17	GB5783-M8×25	HEXANGULAR BOLT	1
18	GB70. 1-M8×30	INNER HEXA CYLINDRICAL SCREW	8
19	GB41-M8	HEXANGULAR NUT	8
20	GB3452. 1-13. 2×2. 65-G	HYDRAULIC-PNEUMATIC RUBBER O-RING G TYPE	1
21	TC-10-1400013	BOLT	1

CT-DJ-0334122

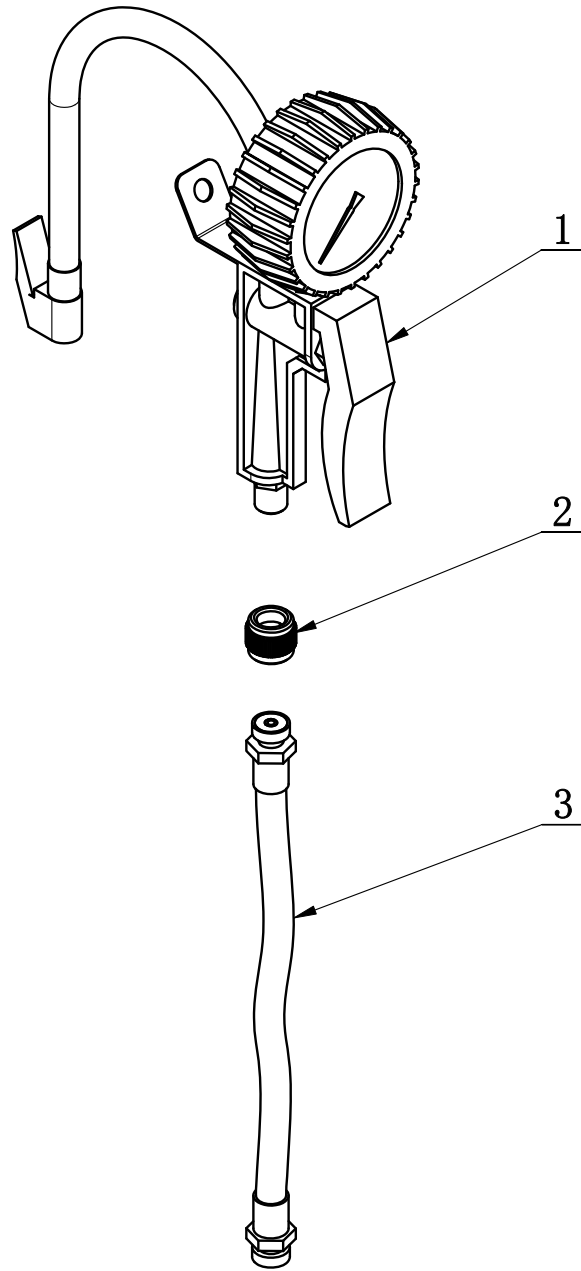


ITEM	PART. No	DESCRIPTION.	QT. Y
1	CT-DJ-0034122	MOTOR (380V, 50Hz, 3P, 0.75Kw)	1
2	CT-DJ-0000001	MOTOR SUPPORT	1
3	CT-DJ-0000002	RUBBER WASHER	8
4	CT-DJ-0000004	PULLEY	1
5	GB5783-M10×50	HEXANGULAR BOLT	4
6	GB96. 1-10	LARGE WASHER A GRADE	4
7	GB95-10	FLAT WASHER	4
8	GB41-M10	HEXANGULAR NUT	4
9	GB78-M5×16	INNER HEXA CONIC TERMINUS SET SCREW	1
10	GB41-M5	HEXANGULAR NUT	1
11	GB1096-6×6×25	COMMON FLAT KEY	1

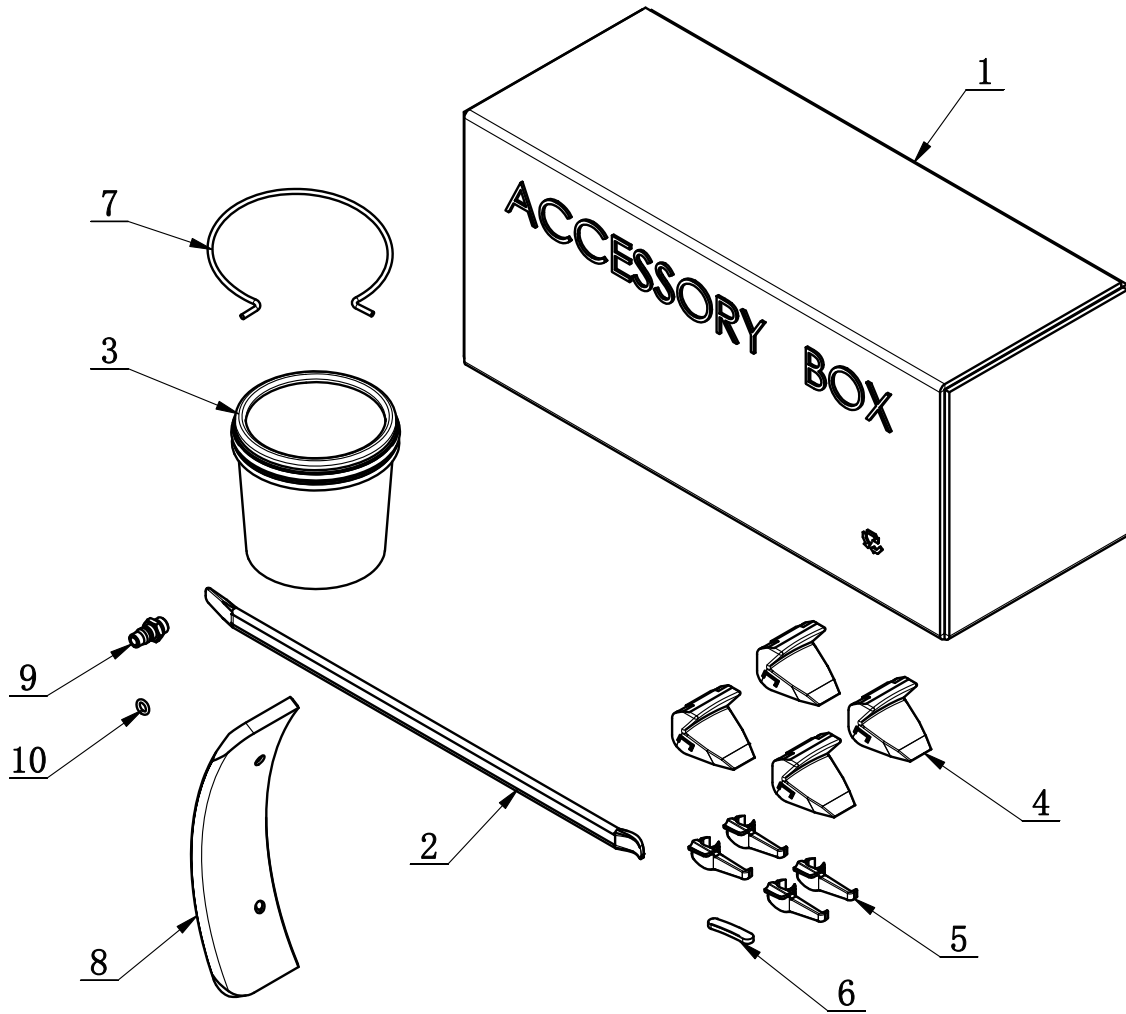
CT-F-3111100



ITEM	PART. No	DESCRIPTION.	QT. Y
1	CT-F-3000010	WATER CPU	1
2	CT-F-3000020	OIL CPU	1
3	CT-F-2000003	PRESSURE GAUGE	1
4	FPL 8-02	INSERT ELBOW $\Phi 8$ , R1/4	1
5	GB70. 1-M4 $\times$ 8	INNER HEXA CYLINDRICAL SCREW	4
6	PEH 02-02	FAMALE UNION TEE	1
7	C-01-1500004	OPEN NUT	1
8	CT-F-2000009	AIR REGULATOR BRACKET	1



ITEM	PART. No	DESCRIPTION.	QT. Y
1	CT-P-6000001	INFLATING GUN	1
2	C-01-1500004	OPEN NUT	1
3	CT-P-1000002	INFLATION HOSE	1



ITEM	PART. No	DESCRIPTION.	QT. Y
1	C-54-8000002	ACCESSORY BOX	1
2	C-54-8000003	20INCH CROWBAR	1
3	C-54-8100000	GREASE CONTAINER	1
4	C-54-8000005	CLAMP PROTECTION COVER	4
5	C-54-1300014	SHEATH	4
6	C-54-8000007	TOOL HEAF TAIL WASHER	1
7	C-54-8000004	BRACKET	1
8	C-90-1000013	BEAD BREAKER BLADE COVER	1
9	C-54-8000011	AIR SUPPLY CONNECTOR	1
10	GB3452. 1-8×2. 65-A	HYDRAULIC-PNEUMATIC RUBBER O-RING A TYPE	1