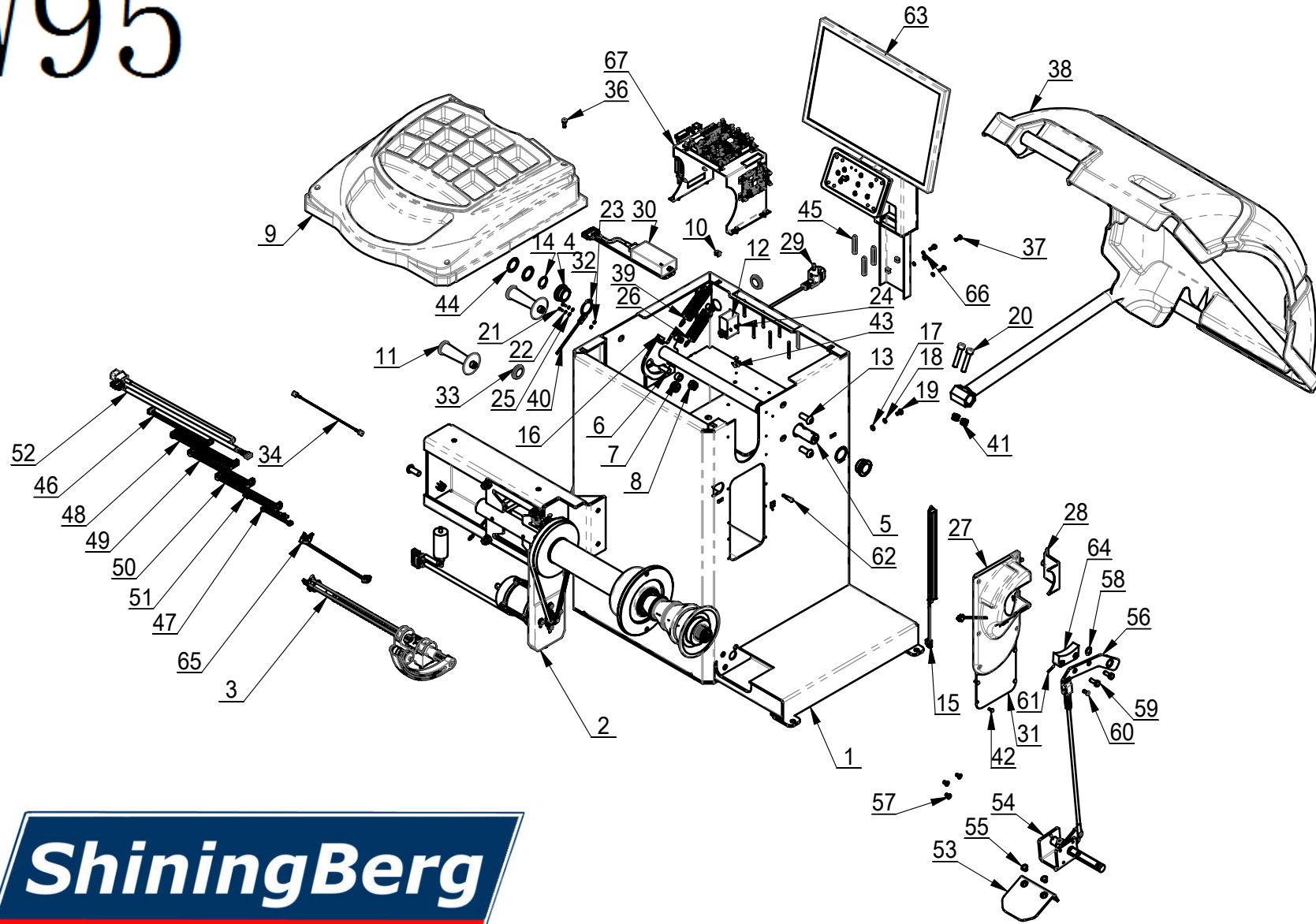
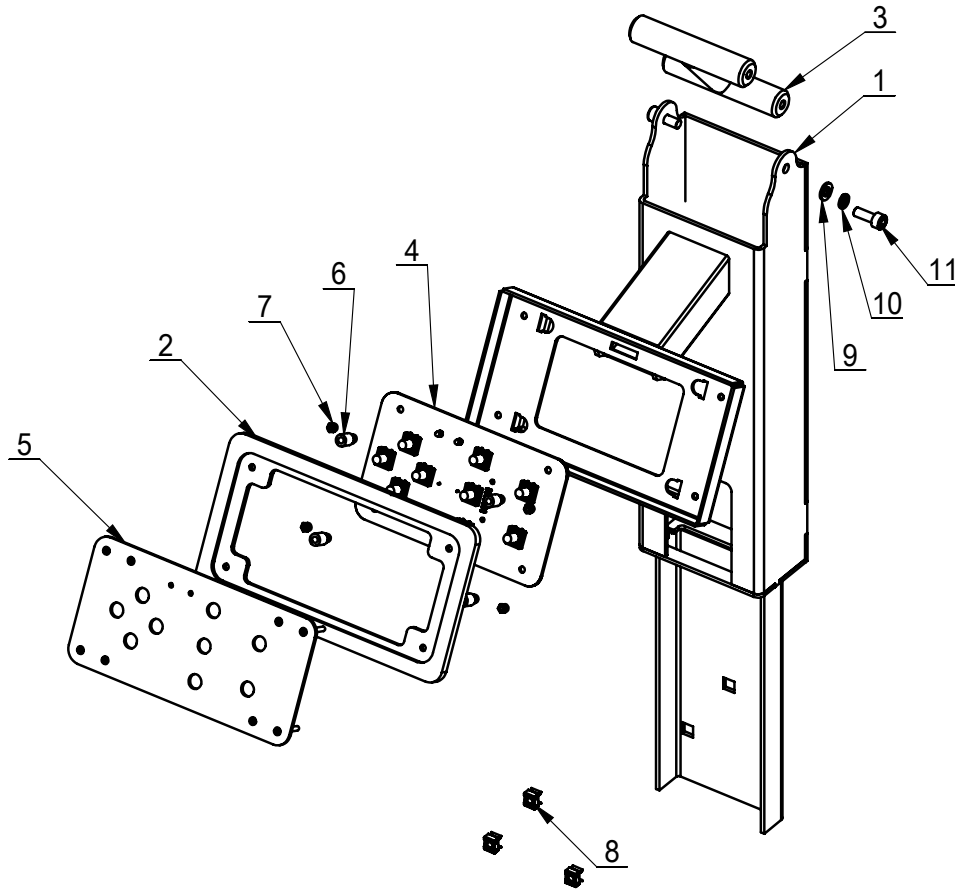


# W95

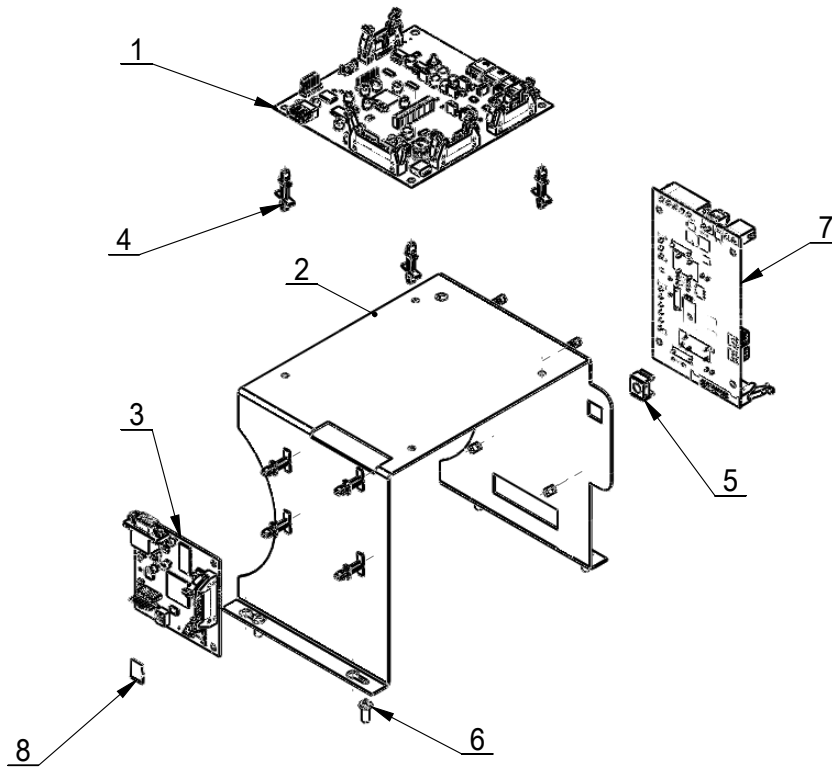


ITEM	PART.No	DESCRIPTION.	QT.Y
1	B-72-1100000	BODY WELDING ASSEMBLY	1
2	B-72-1300000	BALANCER SHAFT ASSEMBLY	1
3	B-73-1300000	AUTOMATIC MEASUREMENT SCALE ASSEMBLY FOR A,D VALUE	1
4	B-73-1000009	SUPPORT BUSHING	2
5	B-73-1510000	PROTECTIVE COVER ROTATION SHAFT WELD	1
6	GB70.2-M12×40	INNER HEXA CYLINDRICAL ROUND HEAD SCREW	1
7	CT-Y-0100003	SPACER	1
8	GB889.1-M12	1-TYPE PREVAILING TORQUE TYPE HEXAGON LOCK NUT	5
9	B-73-1000001CB	WEIGHT TRAY	1
10	B-61-1000014	CLIP NUT	4
11	TB-S-0100009	CONE HANG HANDLE	4
12	B-73-1000005	power swich	1
13	GB70.2-M12×30	INNER HEXA CYLINDRICAL ROUND HEAD SCREW	4
14	GB894.1-26	SHAFT ELATIC BIG RETAINING RING A-TYPE	1
15	B-73-1000200	LAMP ASSEMBLY	1
16	B-73-1500002	PROTECTIVE COVER SWITCH B	1
17	GB95-6	FLAT WASHER	1
18	GB93-6	STANDARD SPRING WASHER	1
19	GB818-M6×12-H	CROSS PANHEAD SCREW	1
20	GB70.1-M10×50	INNER HEXA CYLINDRICAL SCREW	2
21	GB818-M3×10-H	CROSS PANHEAD SCREW	2
22	GB93-3	STANDARD SPRING WASHER	6
23	GB6170-M3	HEXANGULAR NUT 1-TYPE	6
24	GB819.1-M3×14-H	CROSS COUNTERSUNK SCREW STEEL 4.8 GRADE	4
25	GB95-3	FLAT WASHER	6
26	B-73-1500004	SUPPORT PIPE EXTENSION SPRING	1
27	B-73-1700000	LASER LAMP ASSEMBLY	1
28	B-73-1000012	ORNAMENT COVER B	1
29	TB-E-1002300	POWER CABLE	1
30	B-73-1000100	POWER SUPPLY ADAPTER ASSEMBLY	1
31	B-73-1000006	SIDE PANEL	1
32	GB894.1-35	SHAFT ELATIC BIG RETAINING RING A-TYPE	2
33	B-73-1000007	ORNAMENT STOP-UP	2
34	B-73-1000010	GROUND WIRE	1
35	GB95-5	FLAT WASHER	3
36	GB70.1-M6×16	INNER HEXA CYLINDRICAL SCREW	4
37	GB818-M5×16-H	CROSS PANHEAD SCREW	3
38	B-73-1520000	PROTECTIVE COVER ASSEMBLY	1
39	B-73-1500003	SUPPORT PIPE EXTENSION SPRING	1
40	B-73-1500001	PROTECTIVE COVER SWITCH A	1

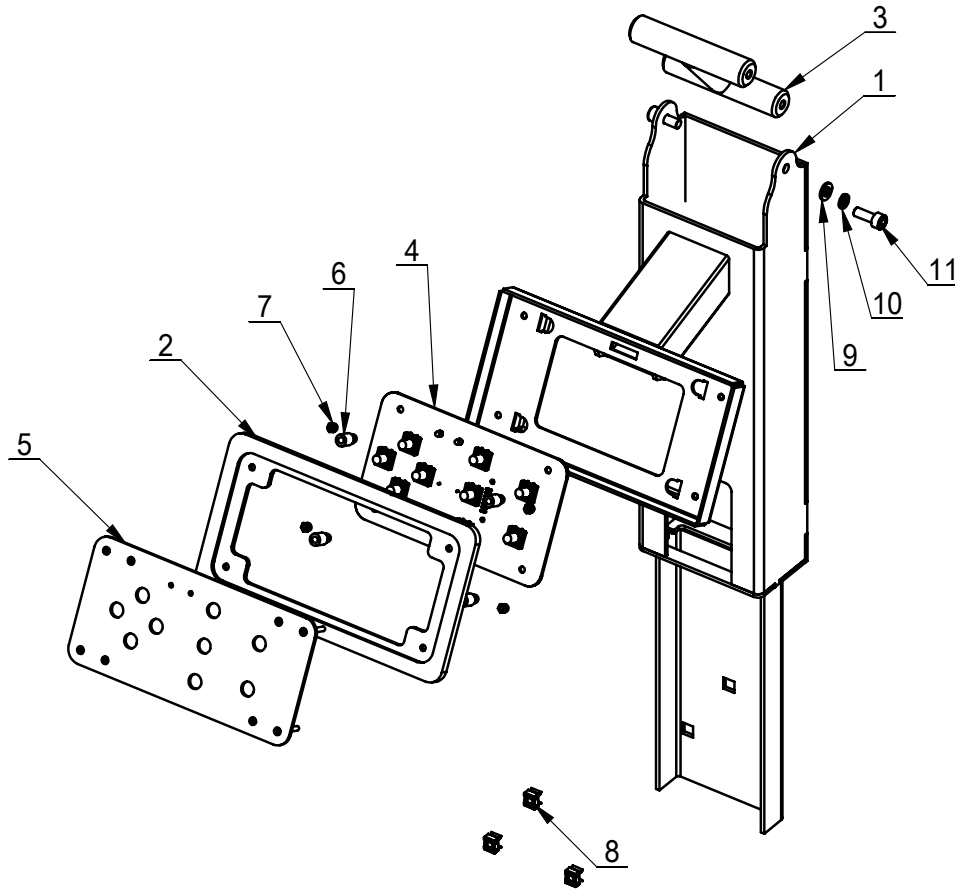
ITEM	PART.No	DESCRIPTION.	QT.Y
41	GB889.1-M10	1-TYPE PREVAILING TORQUE TYPE HEXAGON LOCK NUT	2
42	GB818-M4×10-H	CROSS PANHEAD SCREW	14
43	B-73-1000019	e-rings	1
44	B-73-1000020	FLAT WASHER	2
45	B-73-1000021	stopper	4
46	B-76-1000004	ENCODER BOARD CONNECTION WIRE	1
47	B-76-1000005	WIRE	1
48	B-76-1000006	POWER BOARD CABLE	1
49	B-76-1000008	DISPLAY PANEL CABLE	1
50	B-76-1000009	DISPLAY PANEL CABLE	1
51	B-76-1000007	WIRE	1
52	B-76-1000012	SWITCH WIRE	1
53	B-72-1200004	PEDAL	1
54	B-72-1200000	BRAKE ASSEMBLY	1
55	GB820-M8×12-H	CROSS COUNTERSUNK SCREW STEEL 4.8 GRADE	2
56	B-72-1001000	CONNECT BOARD WELD	1
57	GB70.3-M6×12	INNER COUNTERSUNK SCREW	3
58	GB894.1-16	SHAFT ELATIC BIG RETAINING RING A-TYPE	1
59	GB5781-M8×20	HEXANGULAR BOLT	2
60	GB882-6×14	PIN SHAFT	1
61	GB91-2×16	SLOTTED PIN	1
62	TB-L-0600006	HANDLE	1
63	B-75-1400000CB	DISPLAY COVER ASSEMBLY	1
64	B-72-1002000	CIRCULAR BLOCK	1
65	B-76-1000011	DISPLAY PANEL CABLE	1
66	GB93-5	STANDARD SPRING WASHER	3
67	B-76-1400000SD	CONTROL ASSEMBLY	1



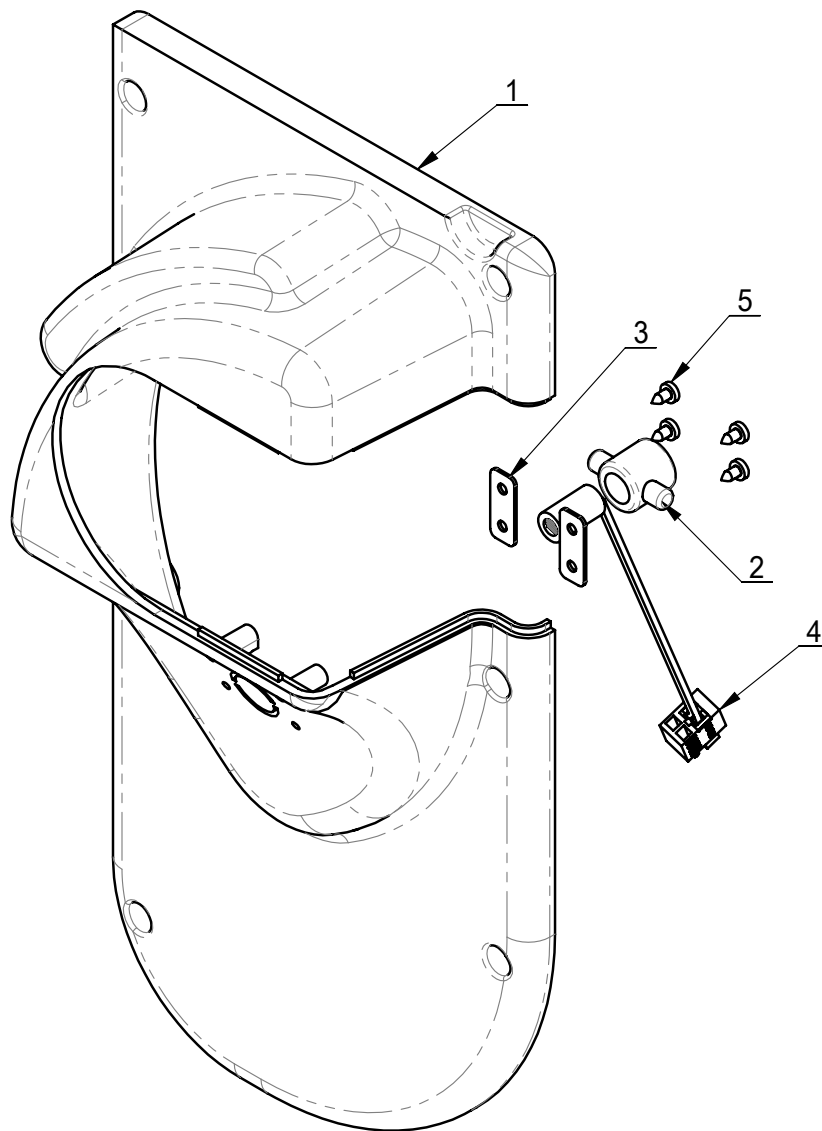
ITEM	PART.No	DESCRIPTION.	QT.Y
1	B-75-1410100CB	SUPPORT	1
2	B-76-1320001	THE KEY BOARD	1
3	B-75-1410200CB	SHAFT	1
4	B-76-1320002	THE KEY BOARD	1
5	B-76-1320003	THE KEY BOARD FILM	1
6	B-73-1400003	BASE ROD	4
7	GB889.1-M3	1-TYPE PREVAILING TORQUE TYPE HEXAGON LOCK NUT	8
8	B-73-1000004	CLIP NUT	3
9	GB95-6	FLAT WASHER	2
10	GB93-6	STANDARD SPRING WASHER	2
11	GB70.1-M6×16	INNER HEXA CYLINDRICAL SCREW	2



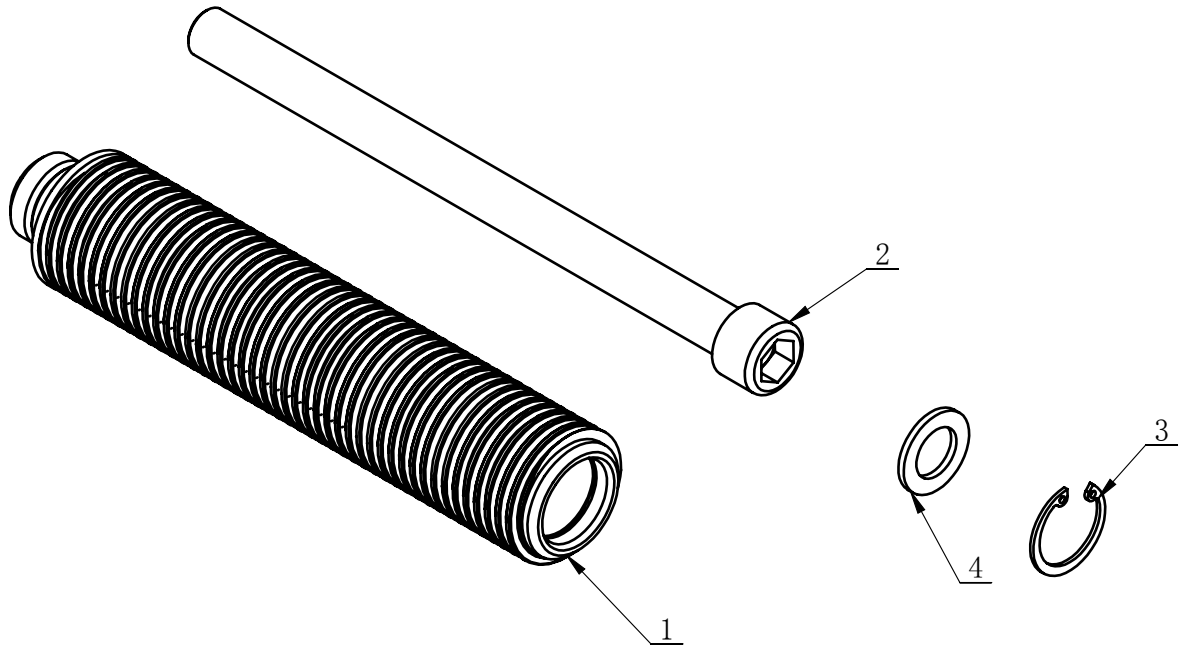
ITEM	PART.No	DESCRIPTION.	QT.Y
1	B-76-1400001	CPU BOARD	1
2	B-76-1400003	SUPPOT BROAD	1
3	B-76-1400002	GRAPHICS CARD	1
4	TB-E-1211002	PLASTIC CLIPPER	12
5	B-76-1400004	CLIP NUT	1
6	GB818-M4×12-H	CROSS PANHEAD SCREW	4
7	B-76-1400005	POWER BOARD	1
8	B-76-1400006	SD	1



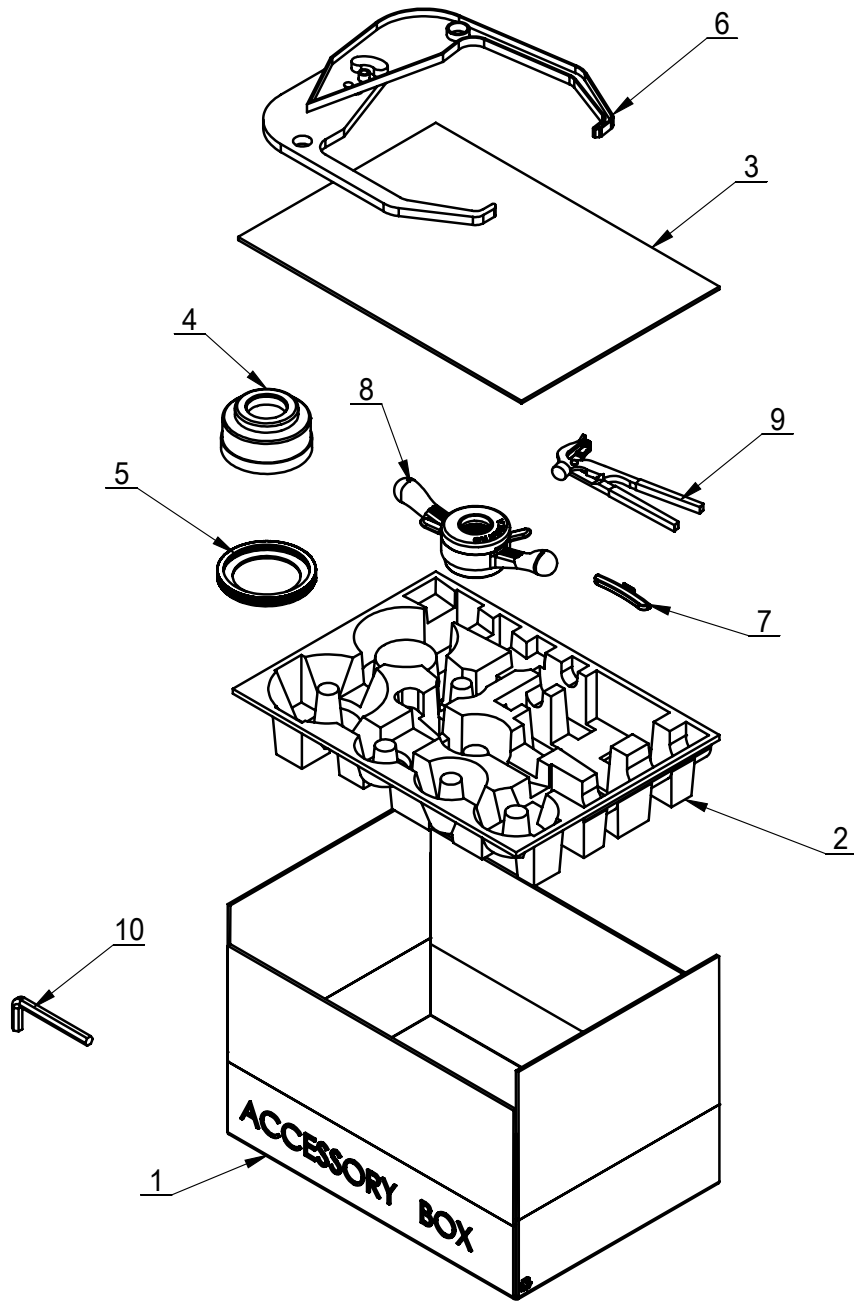
ITEM	PART.No	DESCRIPTION.	QT.Y
1	B-75-1410100CB	SUPPORT	1
2	B-76-1320001	THE KEY BOARD	1
3	B-75-1410200CB	SHAFT	1
4	B-76-1320002	THE KEY BOARD	1
5	B-76-1320003	THE KEY BOARD FILM	1
6	B-73-1400003	BASE ROD	4
7	GB889.1-M3	1-TYPE PREVAILING TORQUE TYPE HEXAGON LOCK NUT	8
8	B-73-1000004	CLIP NUT	3
9	GB95-6	FLAT WASHER	2
10	GB93-6	STANDARD SPRING WASHER	2
11	GB70.1-M6×16	INNER HEXA CYLINDRICAL SCREW	2



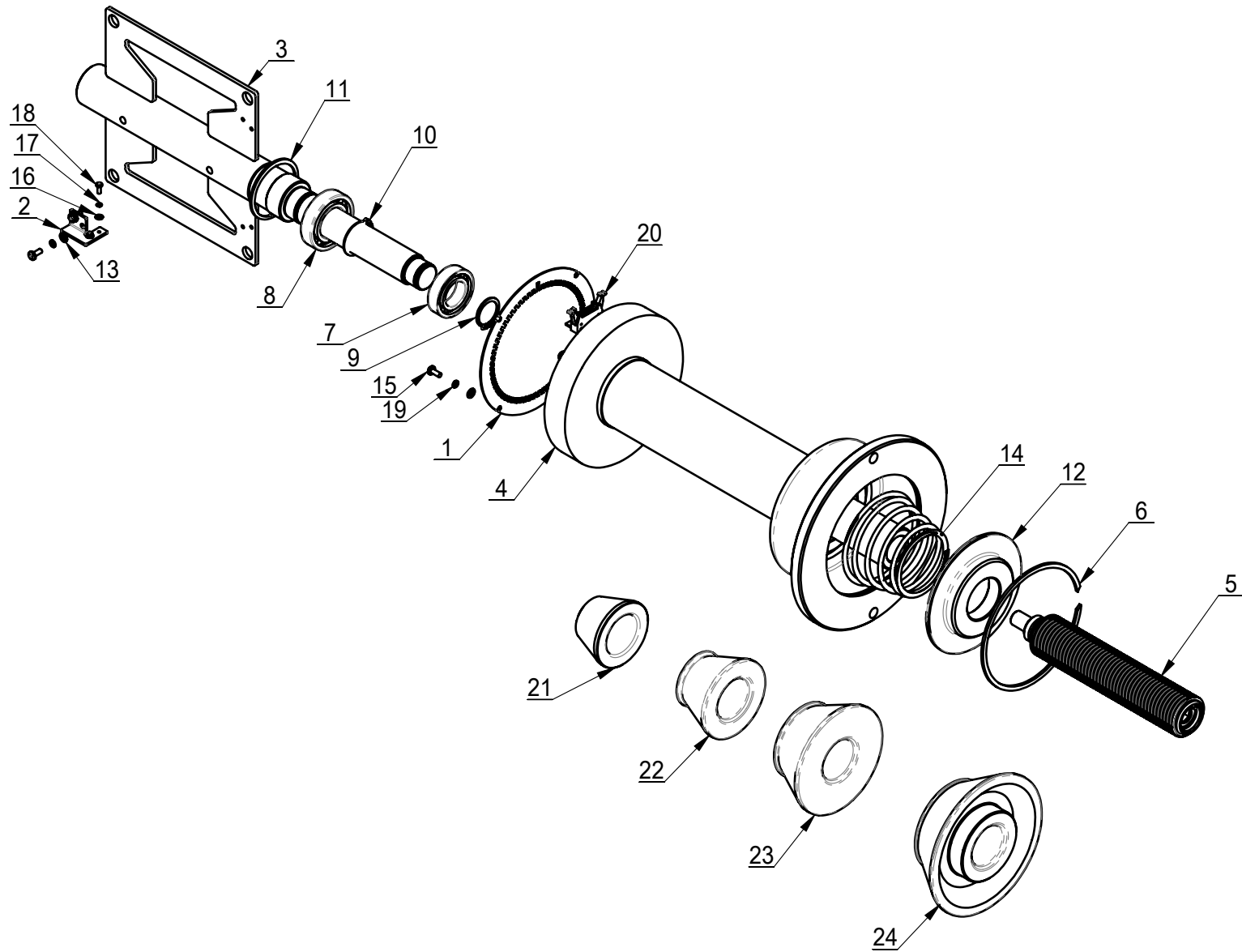
ITEM	PART.No	DESCRIPTION.	QT.Y
1	B-73-1000011A	ORNAMENT COVER A	1
2	BT-X-1000008	LASER SUPPORT	1
3	BT-X-1000005	PLYWOOD	2
4	B-73-1700100	LINE LASER HEAD ASSY	1
5	GB845-ST2.9×6 H C	CROSS PANHEAD TAPPING SCREW	4



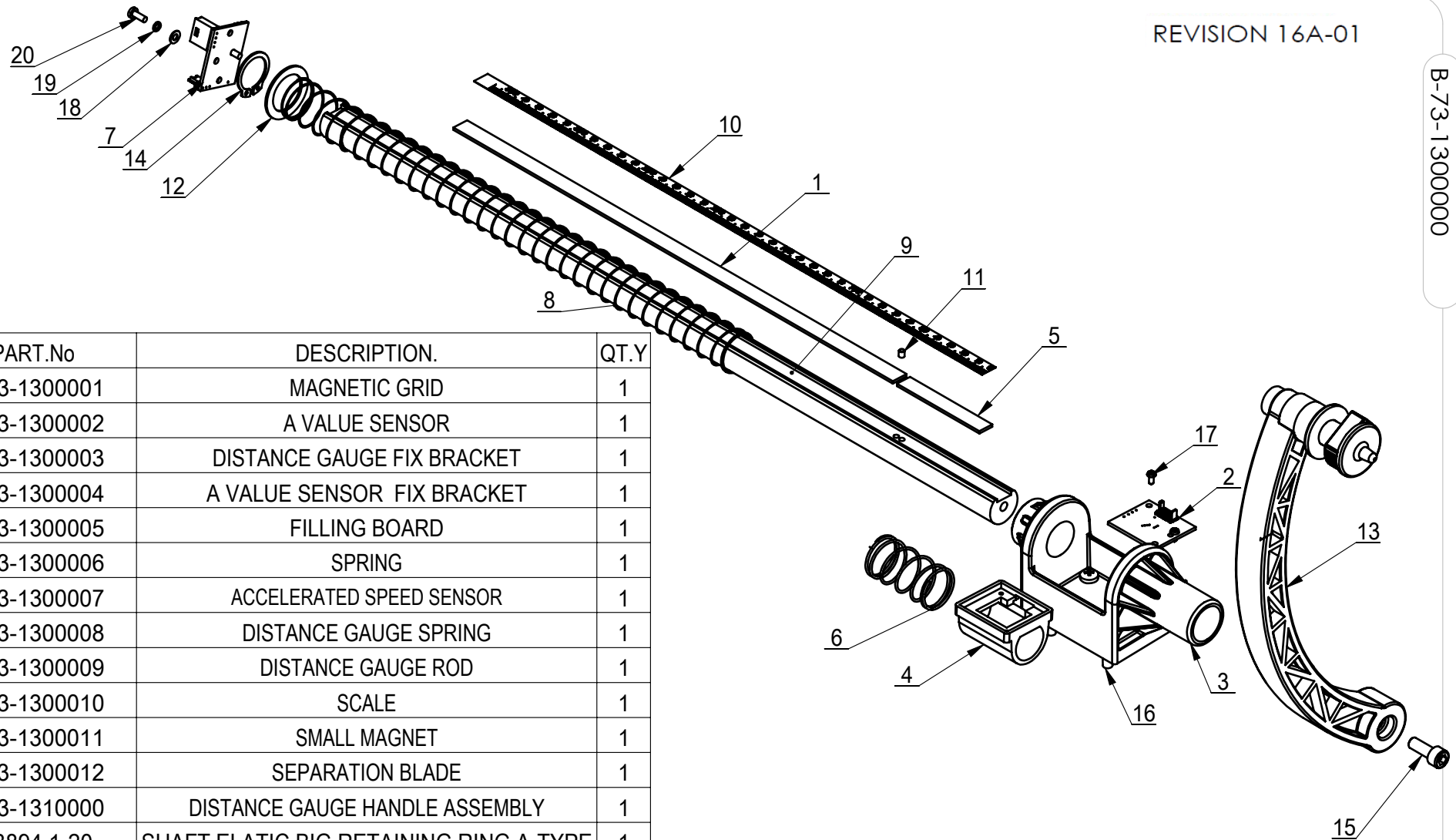
ITEM	PART. No	DESCRIPTION.	QT. Y
1	TB-P-0300035	LEAD SCREW	1
2	GB70. 1-M14×200	INNER HEXA CYLINDRICAL SCREW	1
3	GB893. 1-25	ELASTIC RETAINING RING A-TYPE	1
4	B-73-1213001	WASHER	1



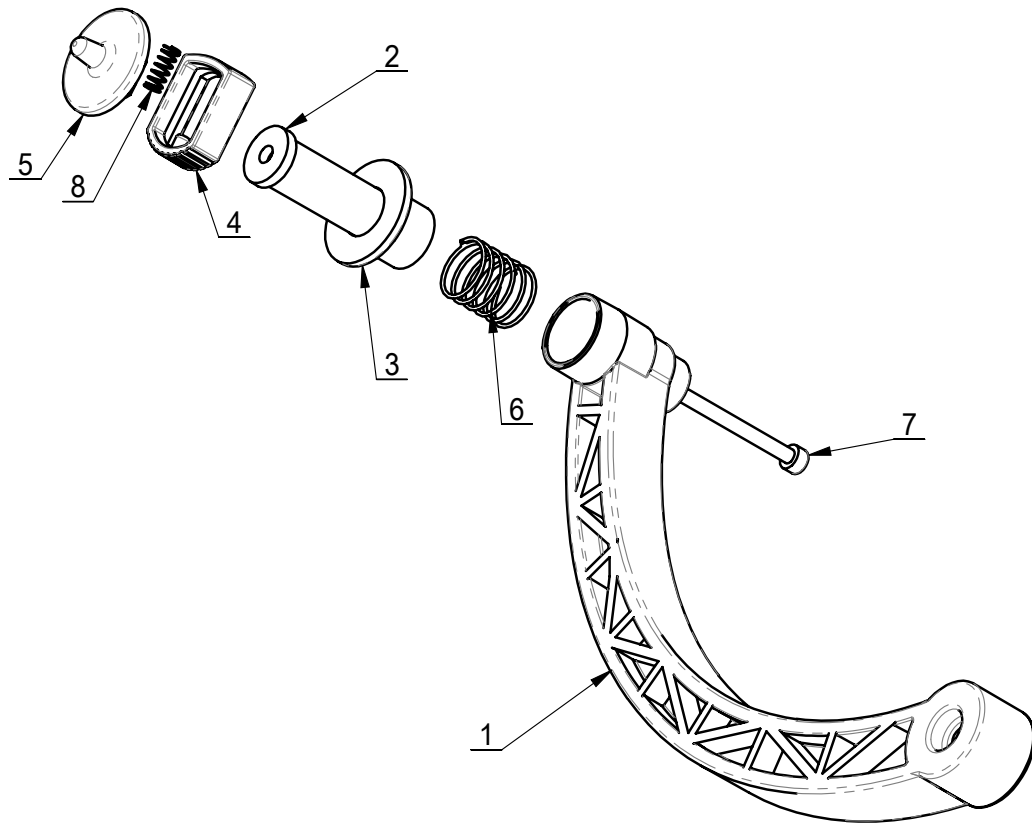
ITEM	PART.No	DESCRIPTION.	QT.Y
1	TB-S-0100006	ACCESSORY BOX	1
2	TB-S-0100007	TRAY	1
3	TB-S-0100008	ACCESSORY SPACE	1
4	TB-S-0100001	BOWL	1
5	TB-S-0100002	BOWL EDGE	1
6	TB-S-0100100	CALIPER ASSEMBLY	1
7	TB-S-0500001	WEIGHT(50g)	1
8	TB-K-0200000HWK	40mm QUICK NUT	1
9	TB-S-0100005	BALANCE HAMMAR	1
10	TB-S-0500002	SPANNER 12mm	1



ITEM	PART.No	DESCRIPTION.	QT.Y
1	B-73-1210002	RASTER	1
2	B-73-1210003	ENCODER BOARD BRACKET	1
3	B-73-1211000	FIXING SHAFT WELDING	1
4	B-73-1214000	BALANCE SHAFT PART	1
5	B-73-1215000	BALANCER SPINDLE	1
6	TB-P-0300009	CLAMP RING	1
7	GB276-6005	DEEP GROOVE BALL BEARINGS	1
8	GB276-6006	DEEP GROOVE BALL BEARINGS	1
9	GB894.2-25	SHAFT ELATIC RETAINING RING B-TYPE	1
10	GB894.2-30	SHAFT ELATIC RETAINING RING B-TYPE	1
11	GB893.1-55	ELASTIC RETAINING RING A-TYPE	1
12	TB-P-0300008	SPRING PRESS COVER	1
13	GB95-4	FLAT WASHER	6
14	TB-P-0100009	SPRING	1
15	GB818-M4×10-H	CROSS PANHEAD SCREW	6
16	GB95-3	FLAT WASHER	2
17	GB93-3	STANDARD SPRING WASHER	2
18	GB818-M3×8-H	CROSS PANHEAD SCREW	2
19	GB93-4	STANDARD SPRING WASHER	6
20	B-73-1210001	ENCODER BOARD	1
21	TB-P-0300031	40CONE 42-65	1
22	TB-P-0300032	40CONE 54-78	1
23	TB-P-0300033	40CONE 74-108	1
24	TB-P-0300034	40CONE 89-140	1



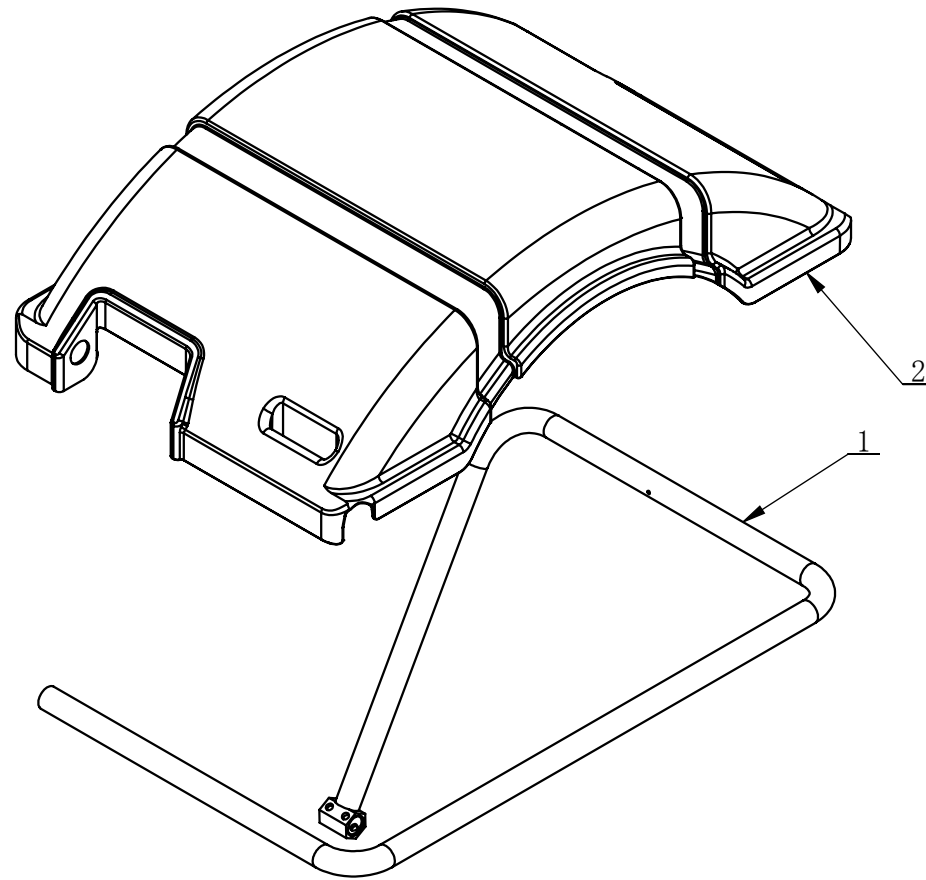
ITEM	PART.No	DESCRIPTION.	QT.Y
1	B-73-1300001	MAGNETIC GRID	1
2	B-73-1300002	A VALUE SENSOR	1
3	B-73-1300003	DISTANCE GAUGE FIX BRACKET	1
4	B-73-1300004	A VALUE SENSOR FIX BRACKET	1
5	B-73-1300005	FILLING BOARD	1
6	B-73-1300006	SPRING	1
7	B-73-1300007	ACCELERATED SPEED SENSOR	1
8	B-73-1300008	DISTANCE GAUGE SPRING	1
9	B-73-1300009	DISTANCE GAUGE ROD	1
10	B-73-1300010	SCALE	1
11	B-73-1300011	SMALL MAGNET	1
12	B-73-1300012	SEPARATION BLADE	1
13	B-73-1310000	DISTANCE GAUGE HANDLE ASSEMBLY	1
14	GB894.1-20	SHAFT ELATIC BIG RETAINING RING A-TYPE	1
15	GB70.1-M6×16	INNER HEXA CYLINDRICAL SCREW	1
16	GB818-M5×20-H	CROSS PANHEAD SCREW	4
17	GB950-M2.5×6	CROSS ROUND HEAD WOOD SCREW	2
18	GB95-3	FLAT WASHER	2
19	GB93-3	STANDARD SPRING WASHER	2
20	GB818-M3×8-H	CROSS PANHEAD SCREW	2



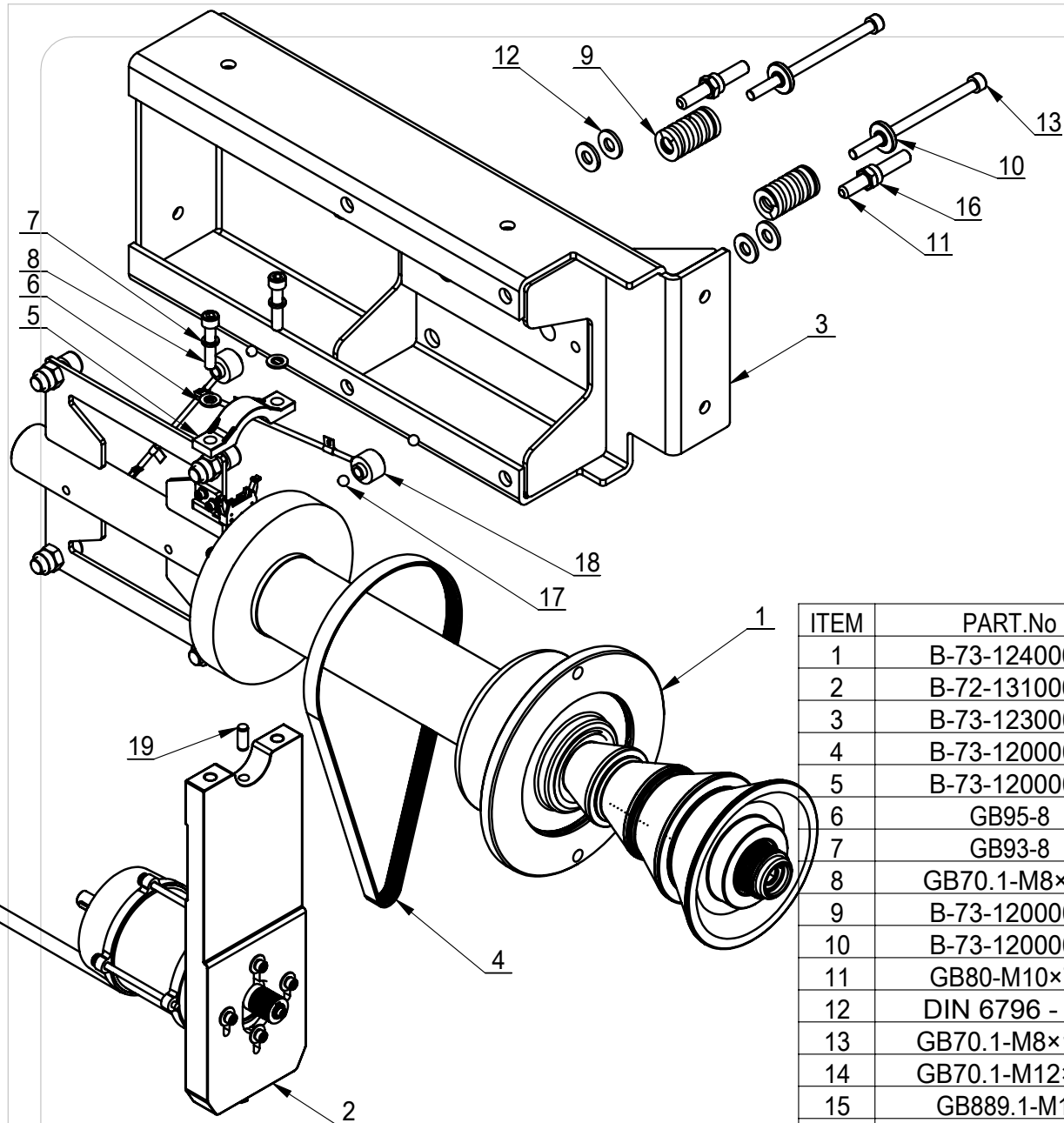
ITEM	PART.No	DESCRIPTION.	QT.Y
1	B-73-1310001	SCALE HANDLE	1
2	B-73-1310002	LONG CONNECT BUSHING	1
3	B-73-1310003	CONNECT BUSHING	1
4	B-73-1310004	TOP BLOCK	1
5	B-73-1310005	SCALE HEAD	1
6	B-73-1310006	SPRING	1
7	GB70.1-M4×55	INNER HEXA CYLINDRICAL SCREW	1
8	B-73-1310007	SREEN FIXTURE SPRING	1

REVISION 16A-01

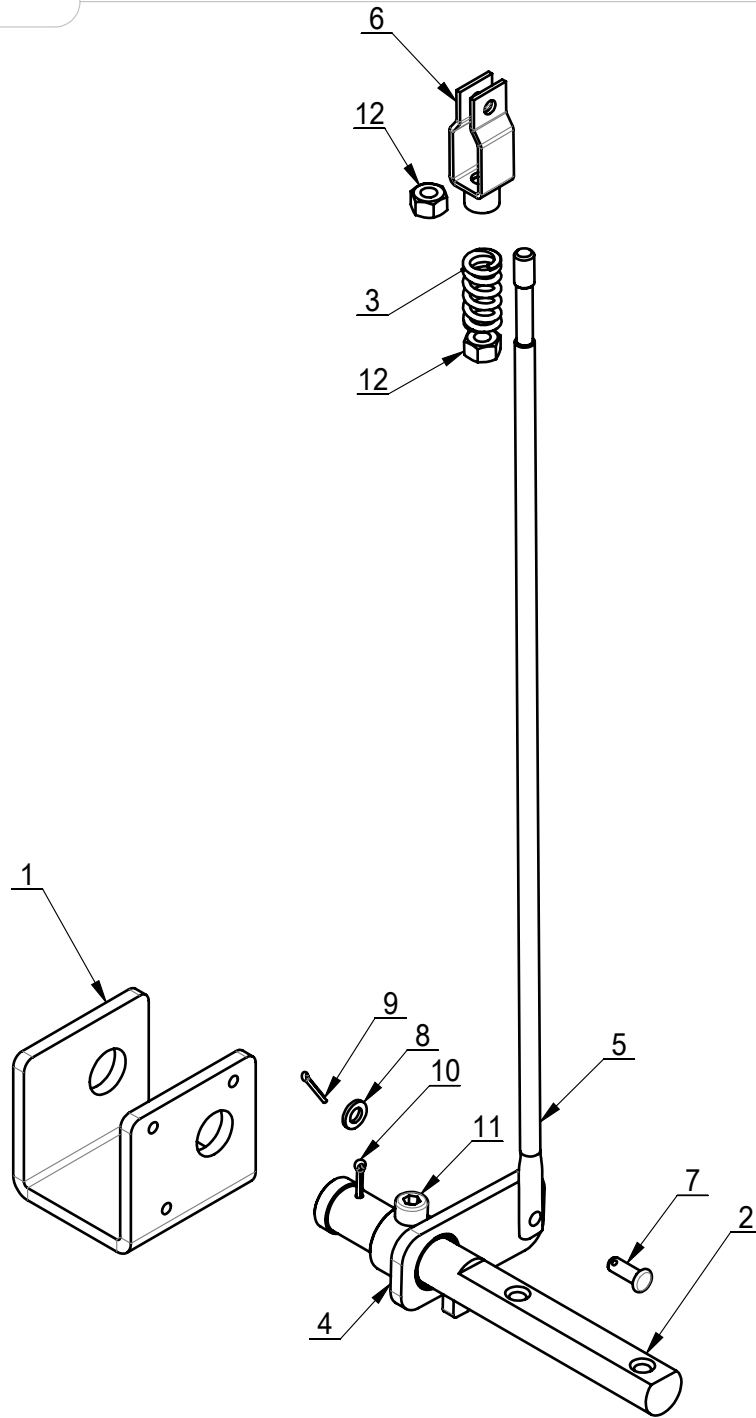
B-73-1520000



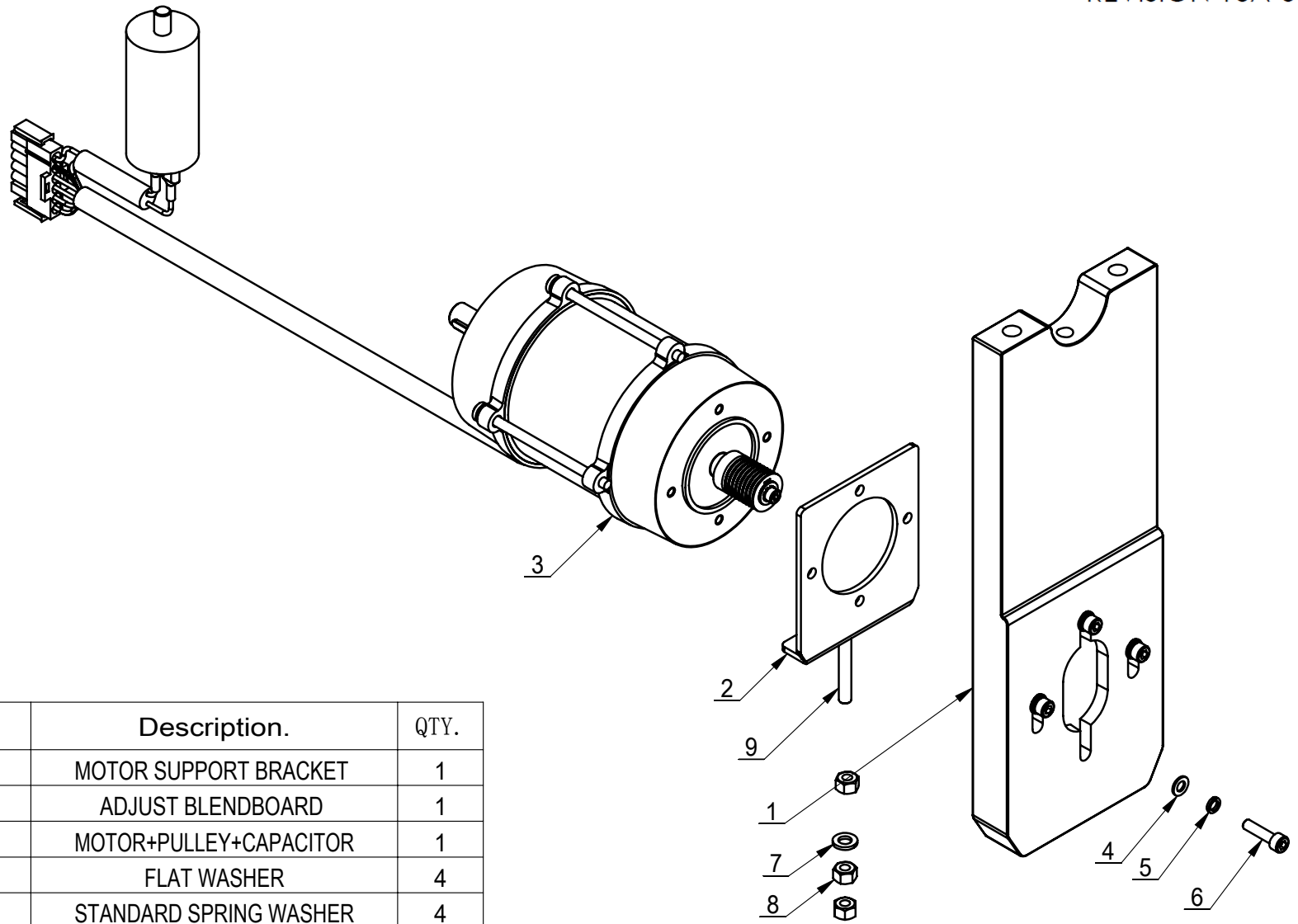
ITEM	PART. No	DESCRIPTION.	QT. Y
1	B-73-1521000	PROTECTIVE COVER BEND PIPE	1
2	TB-F-0100003	NEW STYLE HOOD	1



ITEM	PART.No	DESCRIPTION.	QT.Y
1	B-73-1240000	BALANCE SHAFT	1
2	B-72-1310000		1
3	B-73-1230000	FIXED BRACKET WELD	1
4	B-73-1200001	BELT	1
5	B-73-1200008	LOCK PLATE	1
6	GB95-8	FLAT WASHER	2
7	GB93-8	STANDARD SPRING WASHER	2
8	GB70.1-M8×40	INNER HEXA CYLINDRICAL SCREW	2
9	B-73-1200007	PRESS SPRING	2
10	B-73-1200006	PRESS WASHER	2
11	GB80-M10×70	INNER HEXA RECESSED TERMINUS SET SCREW	2
12	DIN 6796 - 10	SPRING PIEZO WAHSER	4
13	GB70.1-M8×130	INNER HEXA CYLINDRICAL SCREW	2
14	GB70.1-M12×30	INNER HEXA CYLINDRICAL SCREW	4
15	GB889.1-M12	1-TYPE PREVAILING TORQUE TYPE HEXAGON LOCK NUT	4
16	GB889.1-M10	1-TYPE PREVAILING TORQUE TYPE HEXAGON LOCK NUT	2
17	B-73-1200009	STAINLESS BEAD	4
18	B-73-1200003	SENSOR ASSEMBLY	2
19	GB119.2-8×20	CYLINDRICAL PIN	1



ITEM	PART.No	DESCRIPTION.	QT.Y
1	B-72-1200001	BRACKET	1
2	B-72-1200002	BRAKE ROTATION SPINDLE	1
3	B-72-1200003	PRESS SPRING	1
4	B-72-1210000	BRAKE ROTATION PLATE	1
5	B-72-1200005	BRAKE CONNECT ROD	1
6	B-72-1220000	BRACKET WELD	1
7	GB882-6×16	PIN SHAFT	1
8	GB95-6	FLAT WASHER	1
9	GB91-2×16	SLOTTED PIN	1
10	GB91-2.5×32	SLOTTED PIN	1
11	GB70.1-M8×30	INNER HEXA CYLINDRICAL SCREW	1
12	GB41-M8	HEXANGULAR NUT	2



ITEM	PART NO.	Description.	QTY.
1	B-73-1220001	MOTOR SUPPORT BRACKET	1
2	B-73-1220002	ADJUST BLENDBOARD	1
3	B-73-1221200	MOTOR+PULLEY+CAPACITOR	1
4	GB95-5	FLAT WASHER	4
5	GB93-5	STANDARD SPRING WASHER	4
6	GB70.1-M5×20	INNER HEXA CYLINDRICAL SCREW	4
7	GB95-6	FLAT WASHER	1
8	GB41-M6	HEXANGULAR NUT	3
9	GB5781-M6×45	HEXANGULAR BOLT	1