

EXPLODED VIEW

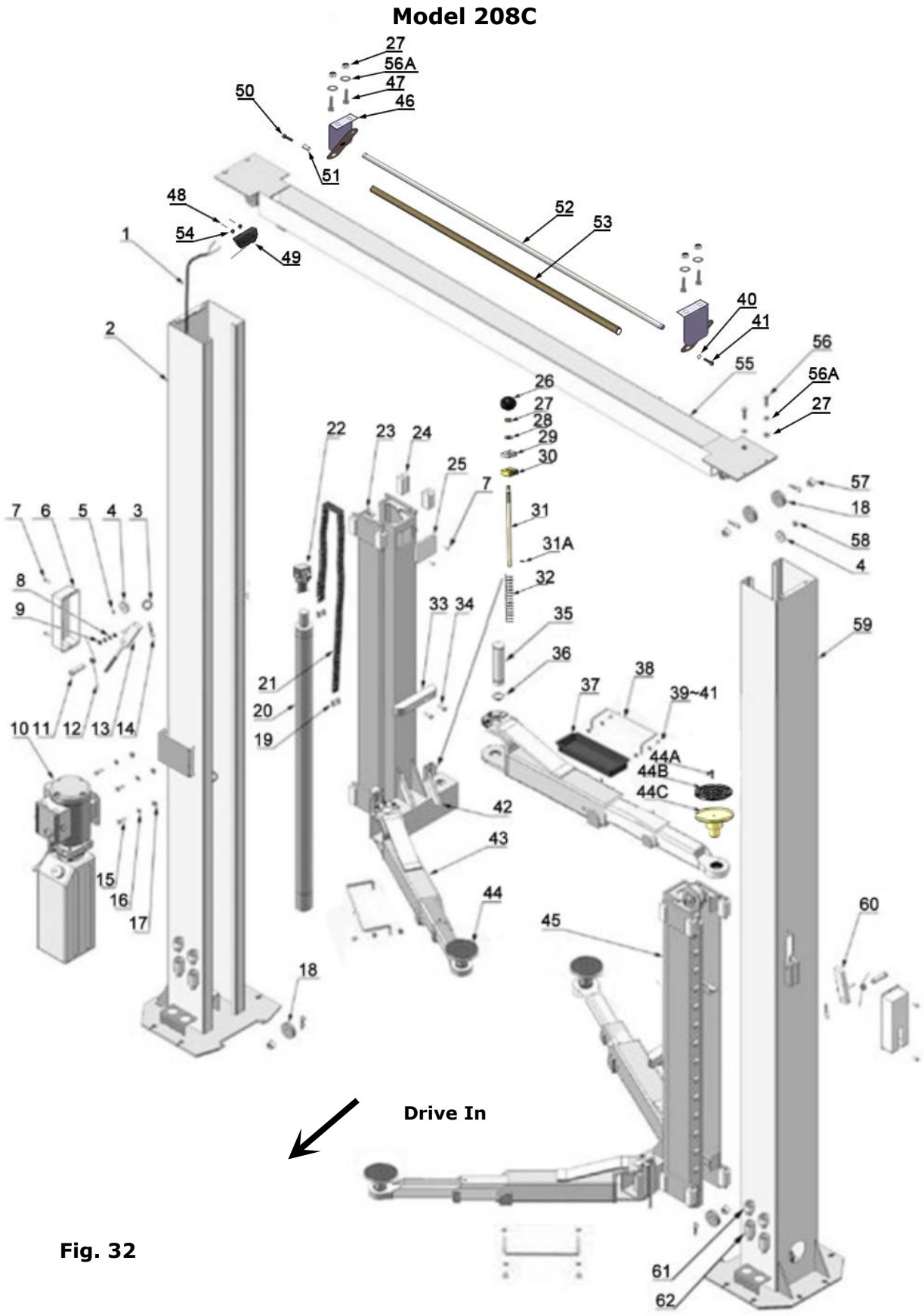


Fig. 32

PARTS LIST FOR MODEL 208C

Item	Part#	Description	Qty.	Note
1	10202050-01	Wire 3*12*3455mm	1	
2	11202001B	Power-side Column	1	
3	10620059	Protective Ring φ12	1	
4	10209049	Plastic Pulley	3	
5	10209010	Snap Ring φ10	1	
6	10209008	Safety Cover	2	
7	10209009	Cup Head Bolt M6*8	8	
8	10206006	Washer φ12	2	
9	10206023A	Hex Nut M12	2	
10	81513001	Manual Power Unit 220V	1	
	81513002	Manual Power Unit 380V		
11	11206002	Safety Pin	2	
12	10209007	Safety Spring	2	
13	11209013	Power-side Safety Lock	1	
14	10209012	Hair Pin φ3.2	8	
15	10209003	Hex Bolt M8*25	4	
16	10209004	Rubber Ring φ8*20*3	4	
17	10209005	Self locking Nut M8	4	
18	1102011001	Small Pulley φ80*φ22*15	6	
19	10201010	Chain Connector	4	
20	11201008B	Hydraulic Cylinder	2	
21	10201009A	Chain	2	
22	11201704	Chain Pulley Seat assy.	2	
23	11202002	Power-side Carriage	1	
24	10206044	Slider	16	
25	11201038	Carriage Plastic Cover	2	
26	10209020	Plastic Ball for arm lock bar	4	
27	10209021	Hex Nut M10	8	
28	10209022	Washer φ10	14	
29	10209023A	Arm Lock	4	
30	11201041	Limit Ring	4	
31	11209024	Arm Lock Bar	4	
31A	10209025	Hair Pin	4	
32	11209026	Spring	4	
33	10206045	Protective Rubber	2	
34	10206046	Bolt M4.5*50	4	
35	11209030A	Arm Pin	4	
36	10520023	Snap Ring φ38	4	
37	10206190	Tool tray(Short)	2	
38	11206191	Short toe guard	4	
39	10209033	Washer φ8	8	
40	10209034	Lock Washer φ8	9	
41	10201002	Hex Bolt M8*16	9	
42	10209027	Protective Rubber Set	4	

Item	Part#	Description	Qty.	Note
43	10201043A	Lifting Arm-Front	4	
44	10201046A	Rubber Pad Assy.	4	
44A	10420138	Socket bolt M6*16	4	
44B	1002014001	Rubber Pad ϕ 120*15	4	
44C	11680030C	Rubber Pad Frame	4	
45	11202003	Offside Carriage	1	
46	1103072003A-01	Control Bar fix bracket	1	
47	10206017	Hex Bolt M10*20	4	
48	10420164	Cup Head Bolt M4*30	2	
49	1002022001	Limit Switch CZ-7120 10A	1	
50	10201122	Socket Bolt M8*35	1	
51	110207007	Connecting Bush ϕ 14*20	1	
52	1102072001-01	Control Bar ϕ 22*2400	1	
53	10206025A	Foam Cushion	1	
54	10620095	Hex Bolt M4	2	
55	11202005A-01	Top Beam W/Bracket	1	
56	10201002	Hex Bolt M8*16	4	
56A	10209039	Lock Washer ϕ 10	8	
57	1002011001	Bronze Bush ϕ 22* ϕ 19*14	6	
58	10209056	Self locking Nut M10	2	
59	11202006B	Off-side Column	1	
60	11211013	Off-side Safety Lock	1	
61	11209052B	Adaptor (2.5")	4	
62	11209051B	Adaptor (1.5")	4	
63	10202500A	Parts Box	1	
64	10201090	Shim (1mm)	10	
	10620065	Shim (2mm)	10	
65	10209059	Anchor Bolt 3/4*5-1/2	12	
66	10202009A	Cable ϕ 8*8895mm	2	
67	10209066	Hex Nut M16	4	
68	10202007A-01	Oil Hose 1/4"*4015mm	1	
69	10202008A-02	Oil Hose 1/4"*4835mm	2	
70	10211016	T-Fitting	1	
71	10201020	90° Fitting	2	
72	10202010A	Safety Cable ϕ 2.5*6960mm	1	
73	10209060	90° Fitting for Hydraulic Power Unit	1	

1. Chain Pulley Base Assy. (11201704) exploded view:

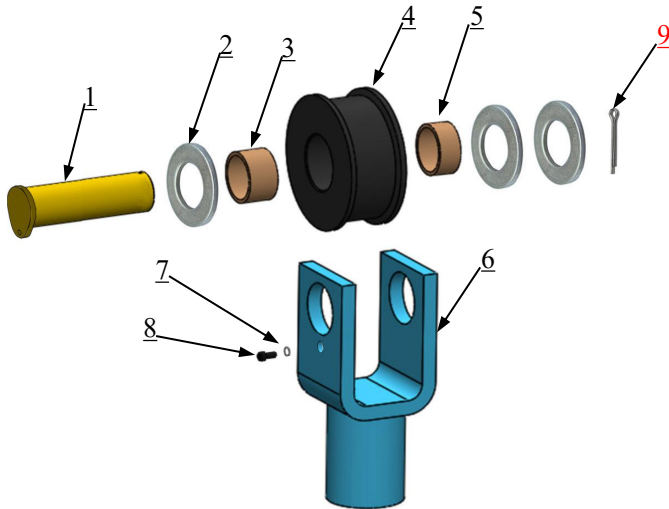


Fig.33

Item	Part#	Description	QTY
1	1102015001A	Pin for chain pulley	1
2	10203004A	Bronze bush $\phi 31 * \phi 25.1 * 21$	1
3	10640109	Washer $\phi 44 * \phi 25.2 * 2$	3
4	1102023002	Chain Pulley $\phi 105 * 41$	1
5	10217020	Bronze bush $\phi 31 * \phi 25.1 * 16$	1
6	1102023001A	Pulley supports seat	1
7	10209034	Lock wash $\phi 8$	1
8	10680003	Socket Bolt M8*12	1
9	10201005	Split pin $\phi 4 * 50$	1

2. Lifting arm Assy. (10201043A) exploded view:

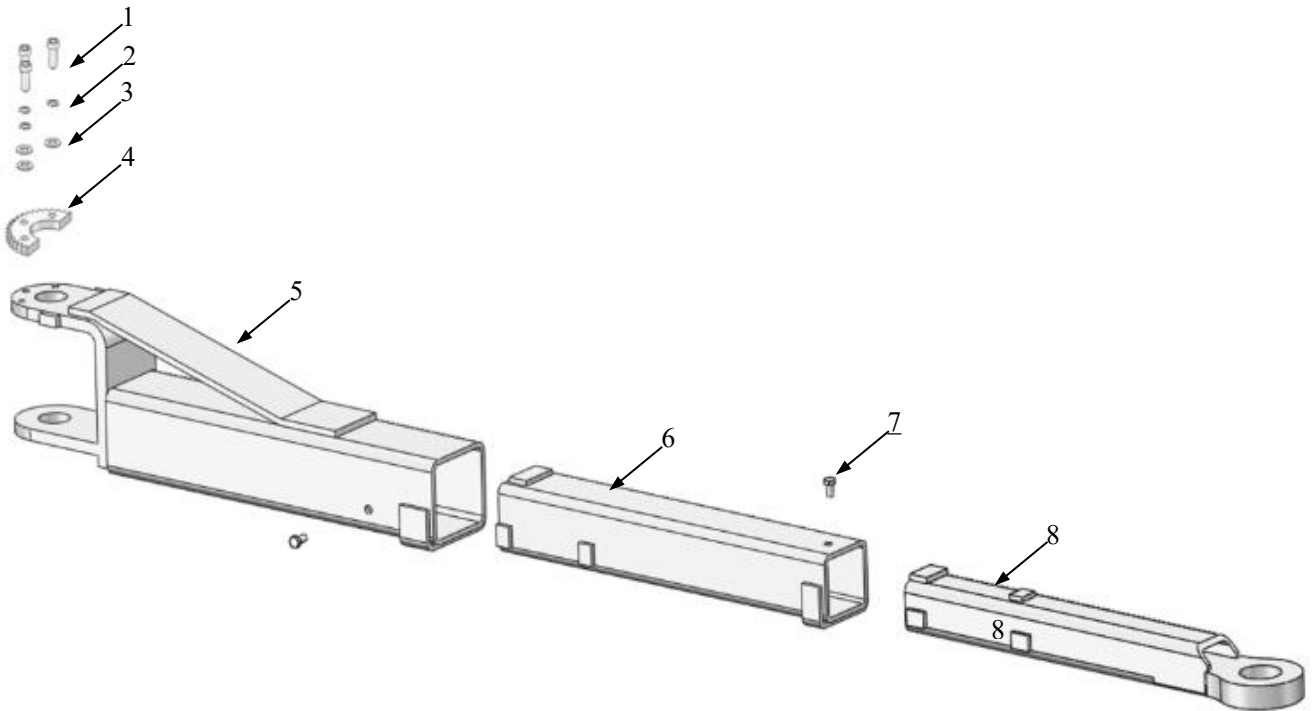


Fig.34

Item	Part#	Description	Qty.
1	10209032	Socket Bolt M8*25	12
2	10209034	Lock washerφ8	12
3	10209033	Washer φ8	12
4	11209035	Moon Gear	4
5	11201047	Outer arm	4
6	11201048	Middle arm	4
7	10201149	Cut Head Bolt M8*12	8
8	11201049A	Inner arm	4

3. Cylinder (10201008B) exploded view:

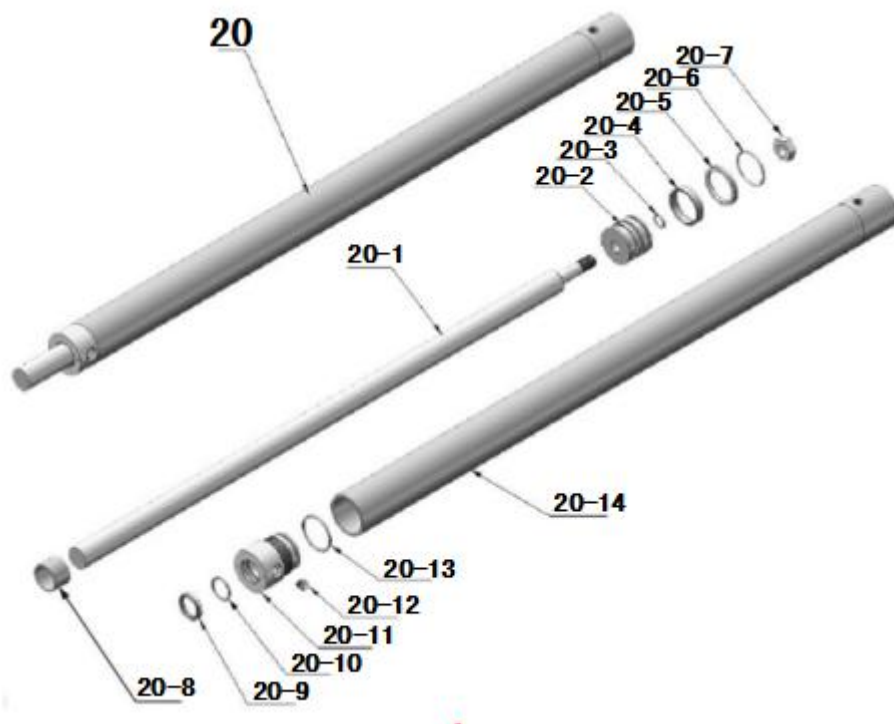


Fig. 35

Parts for hydraulic cylinder

Item	Part#	Description	Qty.
20-1	1102016013	Piston Rod	2
20-2	1102016015	Piston	2
20-3	10206069	O ring $\Phi 21 \times 3.1$	2
20-4	10217071	Support	2
20-5	1002016003	Y ring OSI $\Phi 45 \times \Phi 55 \times 6$	2
20-6	10217073	O ring $\Phi 49 \times 3.1$	2
20-7	10206071	Hex Nut	2
20-8	1102016011	Piston Rod Sleeve.	2
20-9	10209078	Dust Ring $\Phi 43 \times \Phi 35 \times 5$	2
20-10	10217300	O ring $\Phi 35 \times 3.5$	2
20-11	1102016016	Head Cap	2
20-12	10201034	Silencer	2
20-13	10580070	O Ring $\Phi 50 \times 3.55$	2
20-14	11201036B-01	Bore Weldment	2

4. Manual Power Unit (81513001/81513002) exploded view:

220V/50Hz/1Phase/manual

380V/50Hz/3Phase/manual

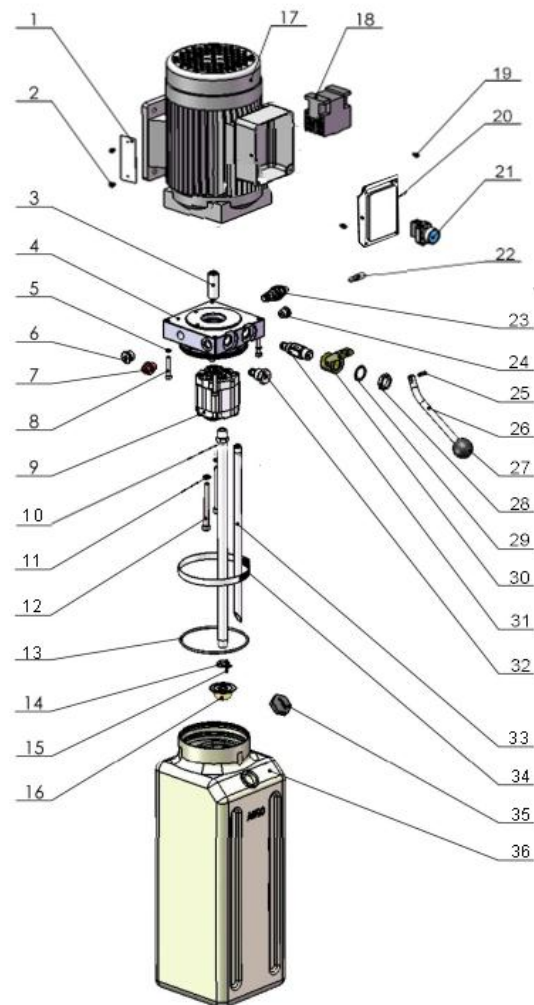
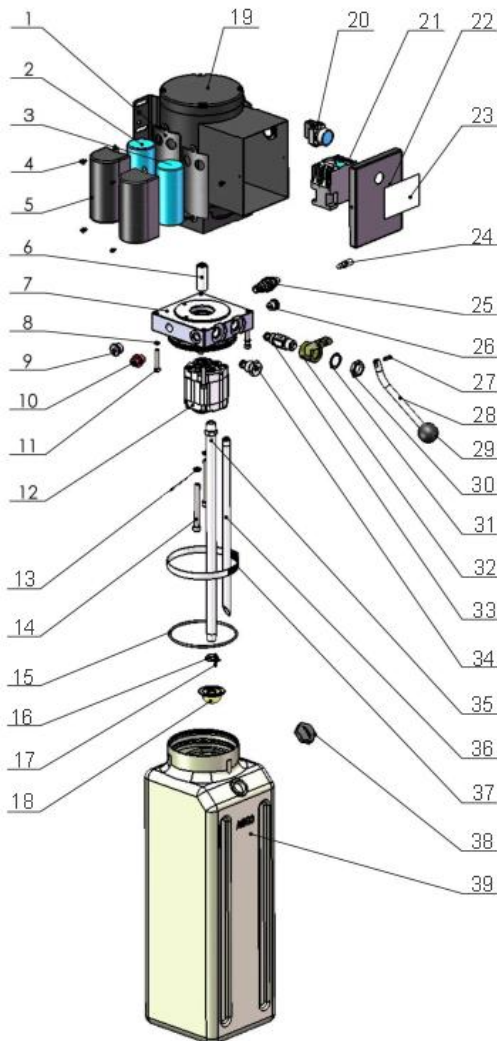


Fig. 36

Part list for 220V/50HZ/1phase			
Item	Part#	Description	Qty.
1	81400180	Rubber Pad	2
2	81400250	Start Capacitor	1
3	81400200	Running Capacitor	1
4	10420148	Cup head bolt with wahser	6
5	81400066	Capacitor Cover	2
6	81400363	Motor Connecting Shaft	1
7	80101013	Manifold Block	1
8	10209149	Spring Washer	4
9	81400276	Iron plug	1
10	81400259	Red Plastic plug	1
11	85090142	Socket Bolt	4
12	81400280	Gear Pump	1
13	10209034	Spring Washer	2
14	81400295	Socket Bolt	2
15	81400365	O Ring	1
16	10209152	Tie	1
17	85090167	Magnet	1
18	81400290	Filter	1
19	81400413	Motor	1
20	10420078	Push Button	1
21	41030055	AC Contactor	1
22	81400528	Motor terminal box cover	1
23	71111170	AMGO Name Plate	1
24	81400560	Throttle valve	1
25	81400266	Relief Valve	1
26	81400284	Socket Plug	1
27	10720118	Spring Pin	1
28	81400451	Release Valve Handle	1
29	10209020	Plastic Ball	1
30	81400421	Release Valve Nut	1
31	81400422	Self Locking washer	1
32	81400449	Vavle Seat	1
33	81400567	Release Vavle	1
34	80203001	Check Valve	1
35	81400288	Oil suction hose	1
36	81400289	Oil return hose	1
37	81400364	clamp	1
38	81400263	Oil tank cover	1
39	81400275	Oil tank	1

Part list for 380V/50HZ/3phase			
Item	Part#	Description	Qty.
1	71150055	AMGO Name plate	1
2	81400300	Cuphead Bolt	2
3	81400363	Motor Connecting Shaft	1
4	81400362	Manifold Block	1
5	10209149	Spring Washer	4
6	81400276	Iron Plug	1
7	81400259	Red Plastic Plug	1
8	85090142	Socket Bolt	4
9	81400292	Gear Pump	1
10	81400288	Oil suction hose	1
11	10209034	Spring Washer	2
12	81400295	Socket Bolt	2
13	81400365	O Ring	1
14	10209152	Tie	1
15	85090167	Magnet	1
16	81400290	Filter	1
17	81400439	Motor	1
18	81400348	AC Contactor	1
19	10420148	Cup Head Bolt	2
20	80101022	Terminal Box For Motor	1
21	10420078	Push Button	1
22	81400560	Throttle valve	1
23	81400266	Relief Valve	1
24	81400284	Plug	1
25	81400452	Pin	1
26	81400451	Release Valve Handle	1
27	10209020	Plastic Ball	1
28	81400421	Release Valve Nut	1
29	81400422	Self Locked washer	1
30	81400449	Valve Seat	1
31	81400567	Release Valve	1
32	80203001	Check Valve	1
33	81400289	Oil Return Hose	1
34	81400364	Clamp	1
35	81400263	Oil tank cover	1
36	81400275	Oil tank	1