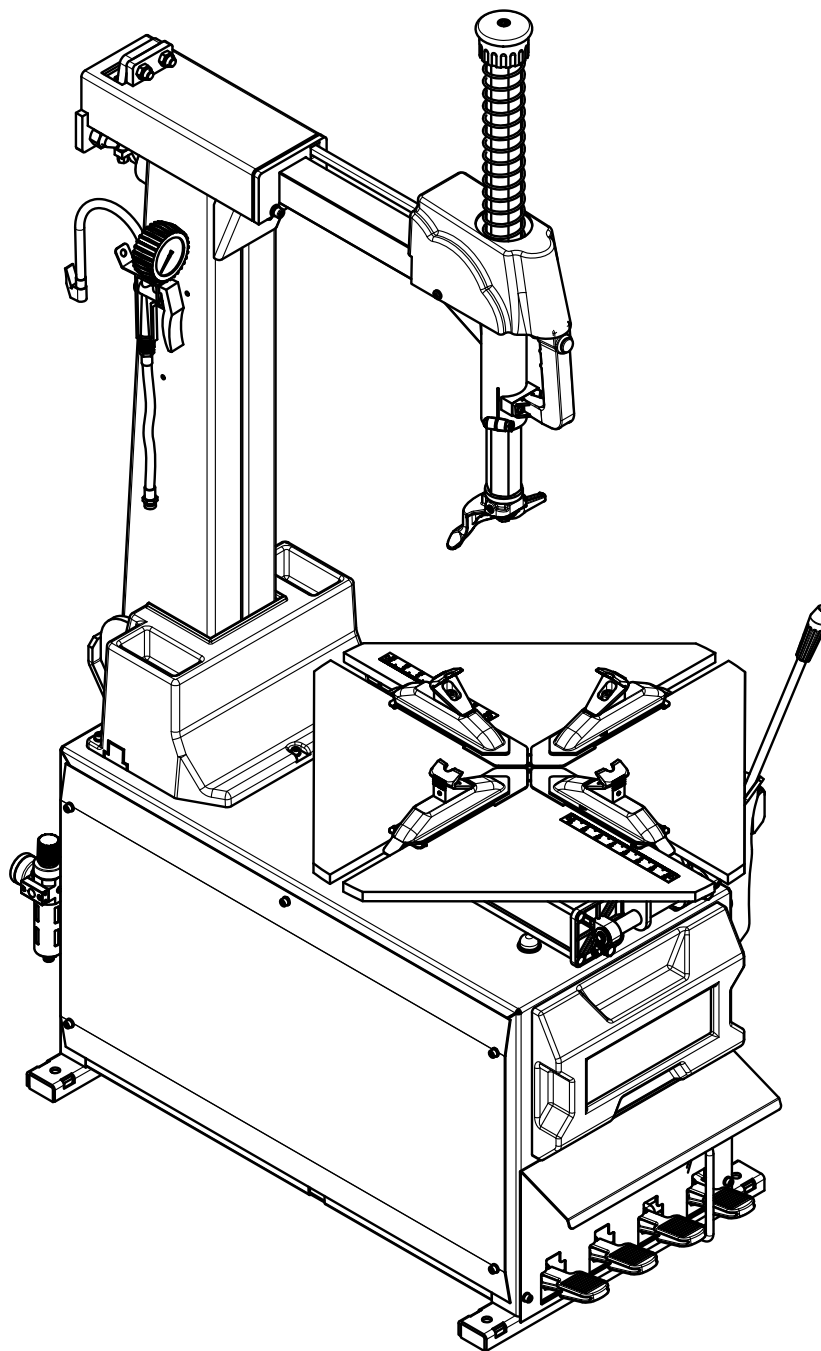
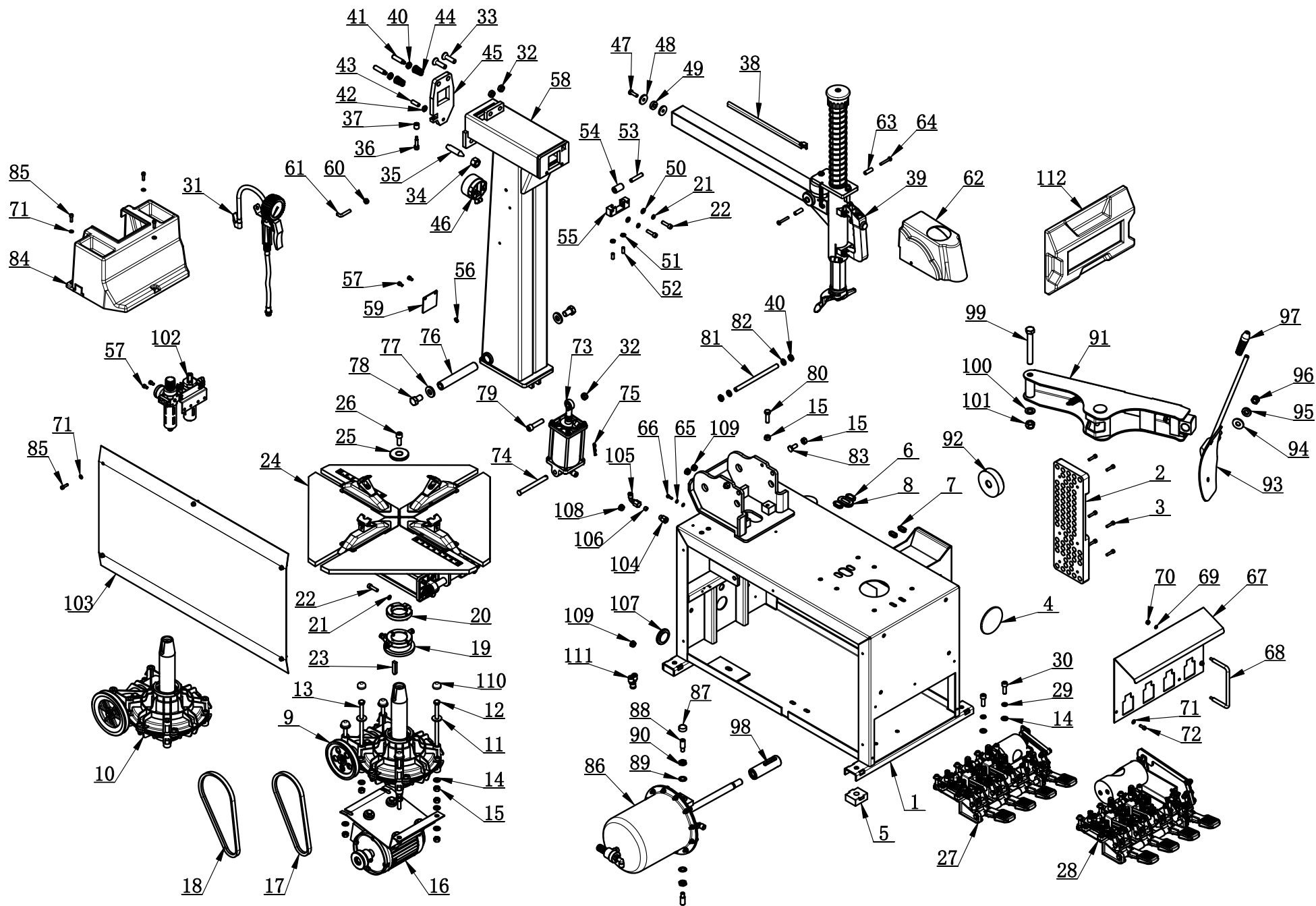




T626 Exploded Drawing

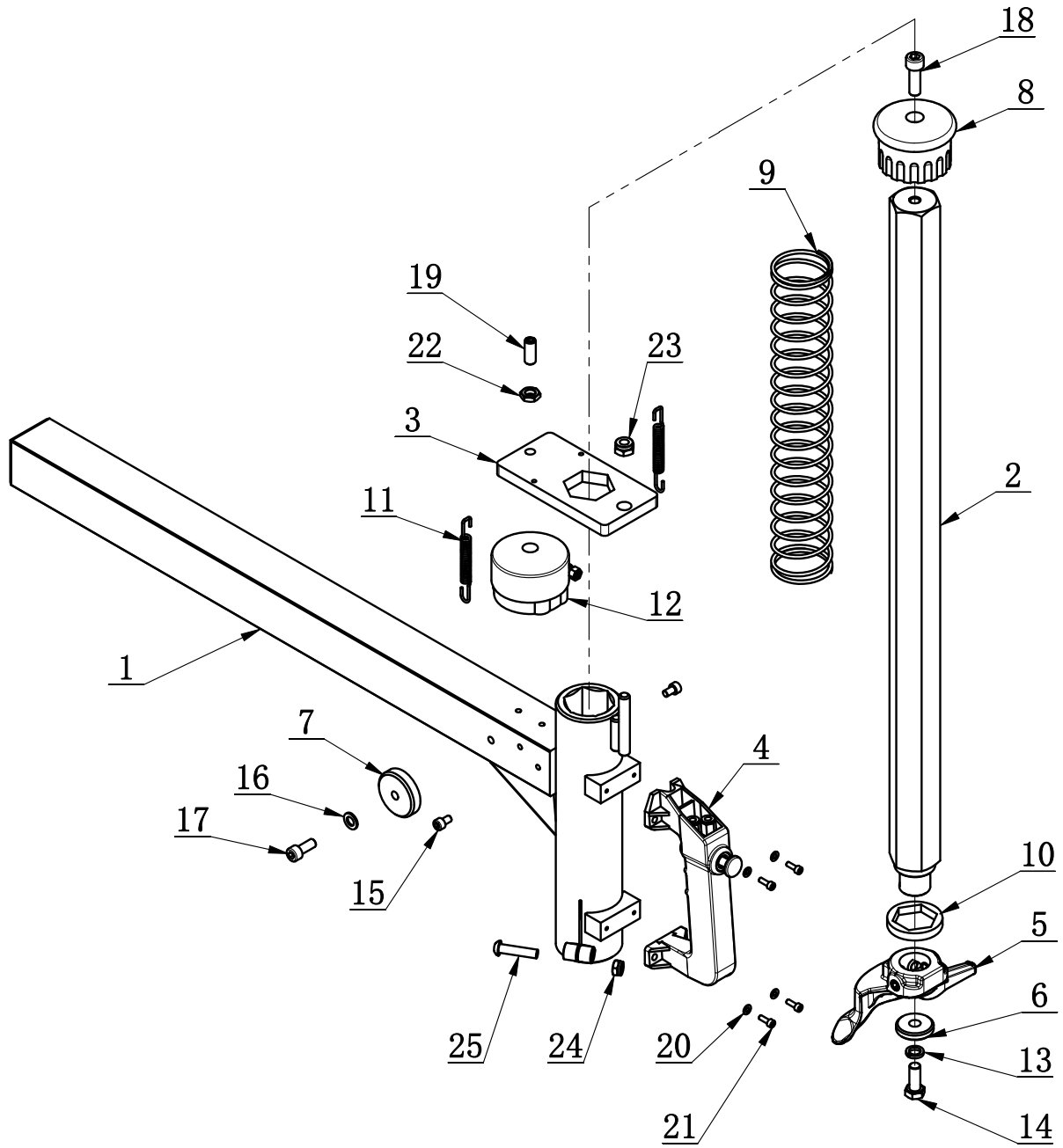




ITEM	PART. No	DESCRIPTION.	QT. Y
1	C-81-1100000	BODY	1
2	C-80-1000001	RUBBER PAD PLATE	1
3	GB70. 1-M6×25	INNER HEXA CYLINDRICAL SCREW	6
4	C-80-1000002	RUBBER PLUG	1
5	C-54-1000005	RUBBER FOOT	4
6	C-54-1000022	PLUG C	2
7	C-54-1000023	PLUG A	2
8	C-54-1000028	PLUG B	1
9	CT-J-4100000	GEARBOX ASSEMBLY (USED WITH 50HZ MOTOR)	1
10	CT-J-2100000	GEARBOX ASSEMBLY (USED WITH 60HZ MOTOR)	1
11	GB96. 1-10	LARGE WASHER A GRADE	6
12	GB5782-M10×200-8. 8	BOLT M10×200	4
13	GB5782-M10×160-8. 8	BOLT M10×160	2
14	GB95-10	FLAT WASHER	16
15	GB41-M10	HEXANGULAR NUT	18
16	CT-DJ-0334122	MOTOR (380V, 50Hz, 3P, 0. 75Kw)	1
17	CT-DJ-0000007	BELT (USED WITH 50HZ MOTOR)	1
18	CT-DJ-0000008	BELT (USED WITH 60HZ MOTOR)	1
19	CT-Q-5000000	ROTATING UNION	1
20	CT-Q-6000000	CLAMP RING	1
21	GB93-8	STANDARD SPRING WASHER	3
22	GB70. 1-M8×30	INNER HEXA CYLINDRICAL SCREW	3
23	GB1096-C12×8×45	COMMON FLAT KEY	1
24	CT-Y-5B00000	TURNTABLE ASSEMBLY	1
25	C-54-1000012	PRESS COVER	1
26	GB70. 1-M12×30	INNER HEXA CYLINDRICAL SCREW	1
27	CT-D-A100000	PEDAL ASSEMBLY	1
28	CT-D-B100000	PEDAL ASSEMBLY (DOUBLE SPEED)	1
29	GB93-10	STANDARD SPRING WASHER	2
30	GB70. 1-M10×30	INNER HEXA CYLINDRICAL SCREW	2
31	CT-P-6000000	INFLATING GUN ASSY	1
32	GB889. 1-M12	1- TYPE PREVAILING TORQUE TYPE HEXAGON LOCK NUT	3
33	GB70. 3-M12×45	INNER COUNTERSUNK SCREW	2
34	GB41-M16	HEXANGULAR NUT	1
35	C-A2-1500011	SCREW	1
36	C-A2-1500012	SCREW	1
37	C-A2-1500008	ROLLER	1
38	C-77-1000009	AIR HOSE CHUTE	1
39	C-80-1300000	HORIZONTAL ARM ASSEMBLY	1
40	GB6172. 1-M12	HEXANGULAR THIN NUT	4

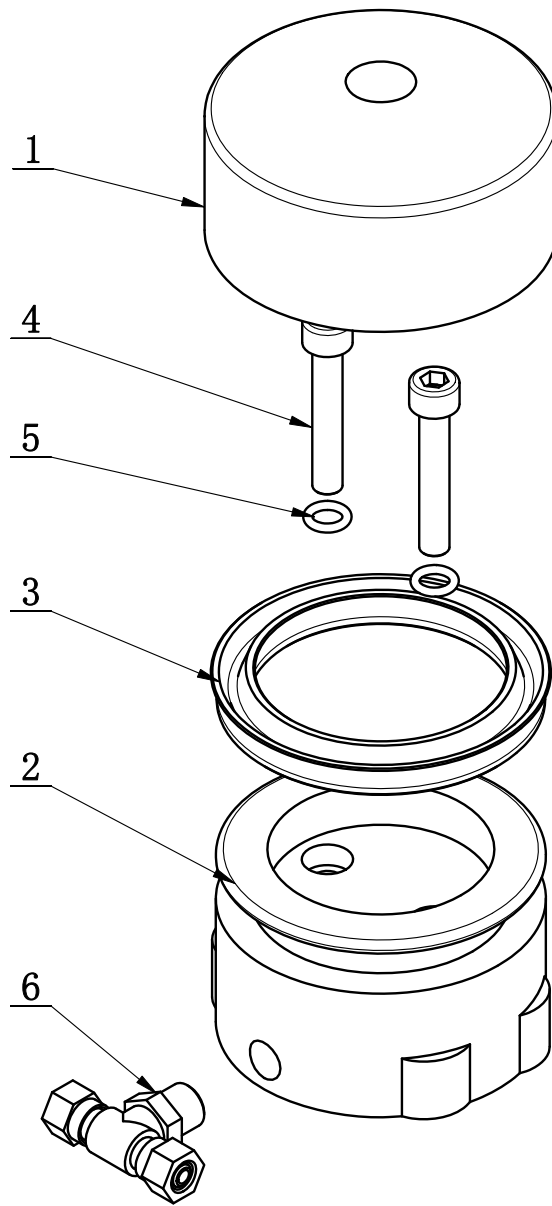
ITEM	PART. No	DESCRIPTION.	QT. Y
41	GB79-M12×50	INNER HEXA CYLINDRICAL TERMINUS SET SCREW	2
42	GB6172. 1-M10	HEXANGULAR THIN NUT	1
43	GB77-M10×30	INNER HEXA FLAT TERMINUS SET SCREW	1
44	C-80-1000009	PRESS SPRING	2
45	C-80-1000016	SQUARE LOCK PLATE	1
46	C-77-1500000	LOCKING CYLINDER ASSY	1
47	GB5783-M8×25	HEXANGULAR BOLT	1
48	C-77-1000003	CUSHION	2
49	C-77-1000004	RUBBER WASHER	1
50	GB95-8	FLAT WASHER	2
51	GB6172. 1-M8	HEXANGULAR THIN NUT	2
52	GB77-M8×20	INNER HEXA FLAT TERMINUS SET SCREW	2
53	GB119. 1-10×50	CYLINDRICAL PIN	1
54	C-7C-1000005	TELEFLEX	1
55	C-7C-1000004	PEDESTAL	1
56	TC-10-8400006	OIL BOTTLE	1
57	GB70. 1-M6×10	INNER HEXA CYLINDRICAL SCREW	4
58	C-80-1200000A	COLUMN WELDING DRAWING	1
59	C-80-1000010	BLOCK PLATE	1
60	GB41-M8	HEXANGULAR NUT	1
61	C-71-1000024	INFLATING GUN HOOK	1
62	C-77-1000010	PROTECTION COVER	1
63	C-77-1000006	PROTECTIVE HOOD LOCK BUSHING	2
64	GB818-M6×40-H	CROSS PANHEAD SCREW	2
65	GB95-5	FLAT WASHER	2
66	GB5783-M5×16	HEXANGULAR BOLT	1
67	C-7C-1000001	PROTECTIVE COVER	1
68	C-71-1000005	PROTECTIVE ROD	1
69	GB93-6	STANDARD SPRING WASHER	2
70	GB41-M6	HEXANGULAR NUT	2
71	GB95-6	FLAT WASHER	13
72	GB70. 1-M6×16	INNER HEXA CYLINDRICAL SCREW	5
73	CT-XD-1000000	PULL-OUT CYLINDER ASSEMBLY	1
74	GB882-12×120	PIN SHAFT	1
75	C-77-1000012	CIRCLIP	1
76	C-80-1000004	ROTATION SHAFT	1
77	C-71-1000010	WASHER	2
78	GB5783-M16×25-W8. 8	HEXANGULAR BOLT	2
79	GB70. 1-M12×50	INNER HEXA CYLINDRICAL SCREW	1
80	GB5783-M10×35	HEXANGULAR BOLT	2

ITEM	PART. No	DESCRIPTION.	QT. Y
81	C-80-1000003	ROTATION SHAFT	1
82	GB93-12	STANDARD SPRING WASHER	2
83	C-71-1000009	BOLT	2
84	C-80-1000008	PROTECTIVE COVER	1
85	GB70. 1-M6×20	INNER HEXA CYLINDRICAL SCREW	8
86	CT-LS-7400000	BEAD BREAKER CYLINDER ASSEMBLY	1
87	C-54-1000013	SEALED COVER	1
88	C-54-1000010	SCREWS M14X42	2
89	GB861. 1-14	INNER TOOTH LOCK WAHSER	2
90	GB6172. 1-M14	HEXANGULAR THIN NUT	2
91	CT-B-9000000	BEAD BREAKER ARM ASSEMBLY	1
92	C-5B-1000003	RUBBER WASHER	1
93	CT-C-2100000	BEAD BREAKER BLADE	1
94	C-54-1000002	WASHER	1
95	GB955-14	WAVE-FORM SPRING WASHER	1
96	GB889. 1-M14	1-TYPE PREVAILING TORQUE TYPE HEXAGON LOCK NUT	1
97	TC-40-1200022	RUBBER COVER	1
98	C-5B-1400000	LIMIT SET	1
99	GB5782-M16×120	HEXANGULAR BOLT	1
100	GB95-16	FLAT WASHER	1
101	GB889. 1-M16	1-TYPE PREVAILING TORQUE TYPE HEXAGON LOCK NUT	1
102	CT-F-2111200	AIR REGULATOR ASSEMBIY	1
103	C-82-1000001	SIDE PANEL	1
104	FPC 8-02	MALE STRAIGHT	1
105	FPLF 6-02	FEMALE ELBOW	1
106	C-54-1000027	JOINT SEALING GASKET	1
107	C-61-1000002	CUSHION BUSHING	1
108	C-61-1000003	HELPER RUBBE PLUG	1
109	C-71-1000027	HELPER RUBBE PLUG	3
110	C-01-1000006	COVER CAP	6
111	FPY-8	Y-SHAPE INSERT FITTINGΦ8	1
112	C-01-1000004	THE FACE	1



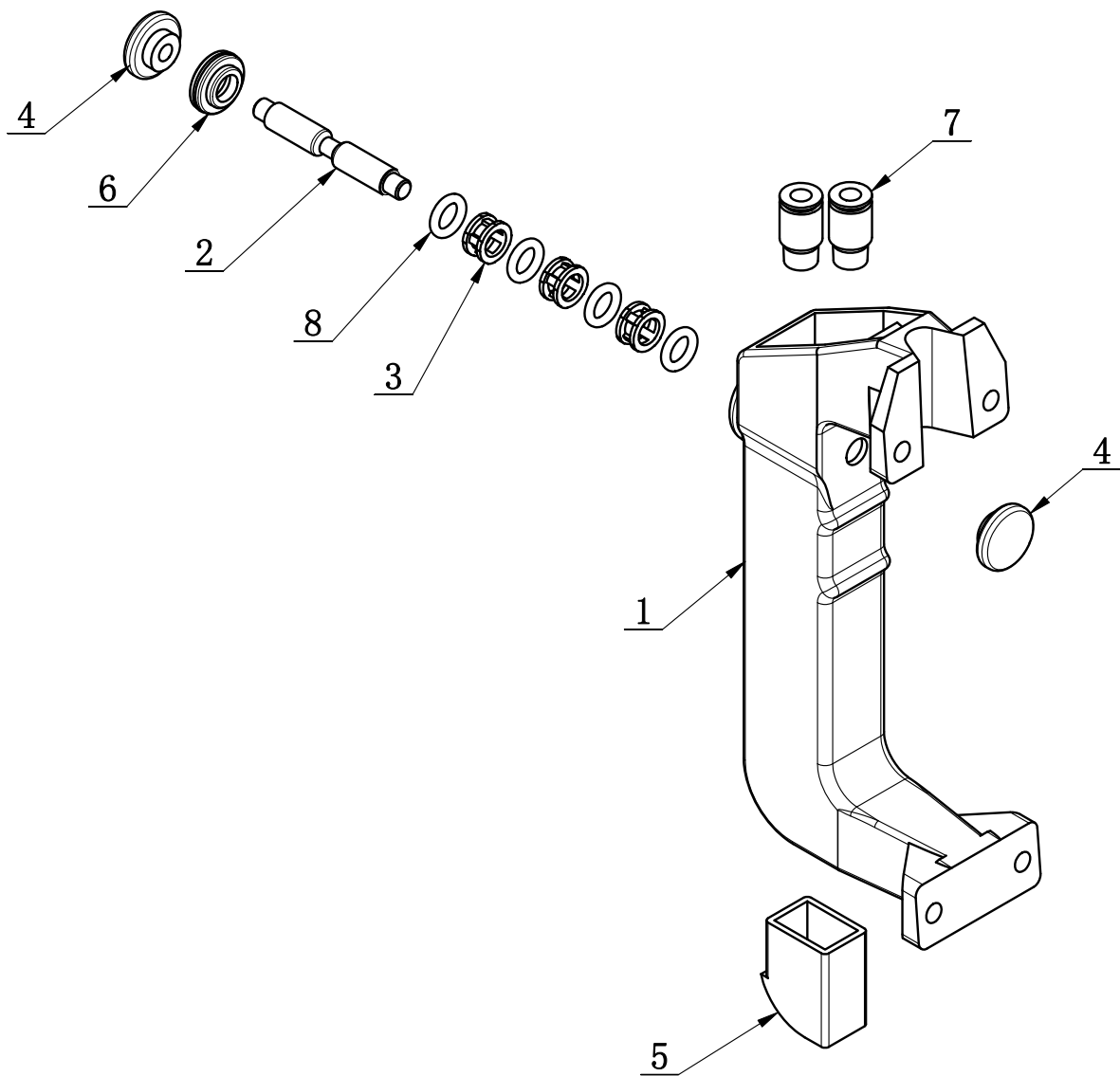
ITEM	PART. No	DESCRIPTION.	QT. Y
1	C-80-1310000	HORIZONTAL ARM WELDING	1
2	C-80-1300001	HEXAGON SHAFT	1
3	C-80-1300002	HEXANGULAR LOCK PLATE	1
4	C-71-1330000	HANDLE CONTROLING VALVE	1
5	C-54-0001000	DEMOUNTING HEAD ASSEMBLY	1
6	C-54-1300008	PRESS WASHER	1
7	C-71-1300005A	POSITIONING BLOCK	1
8	C-54-1300003	VERTICAL SHAFT COVER	1
9	C-54-1300010	VERTICAL SHAFT SPRING	1
10	C-54-1300007	SHOCK ABSORBER WASHER	1
11	C-71-1300004	SPRING	2
12	C-71-1320000	LOCKING CYLINDER ASSY	1
13	GB93-10	STANDARD SPRING WASHER	1
14	GB5783-M10×25-12.9	HEXANGULAR BOLT	1
15	GB70.1-M6×10	INNER HEXA CYLINDRICAL SCREW	2
16	GB95-8	FLAT WASHER	1
17	GB70.1-M8×20	INNER HEXA CYLINDRICAL SCREW	1
18	GB70.1-M10×30	INNER HEXA CYLINDRICAL SCREW	1
19	C-71-1000029	INNER HEXA FLAT TERMINUS SET SCREW	1
20	GB95-4	FLAT WASHER	4
21	GB70.1-M4×12	INNER HEXA CYLINDRICAL SCREW	4
22	GB6173-M10×1.0	HEXA THIN NUT	1
23	GB889.1-M10	1-TYPE PREVAILING TORQUE TYPE HEXAGON LOCK NUT	1
24	GB889.1-M8	1-TYPE PREVAILING TORQUE TYPE HEXAGON LOCK NUT	1
25	GB70.2-M8×35	INNER HEXA CYLINDRICAL ROUND HEAD SCREW	1

C-71-1320000



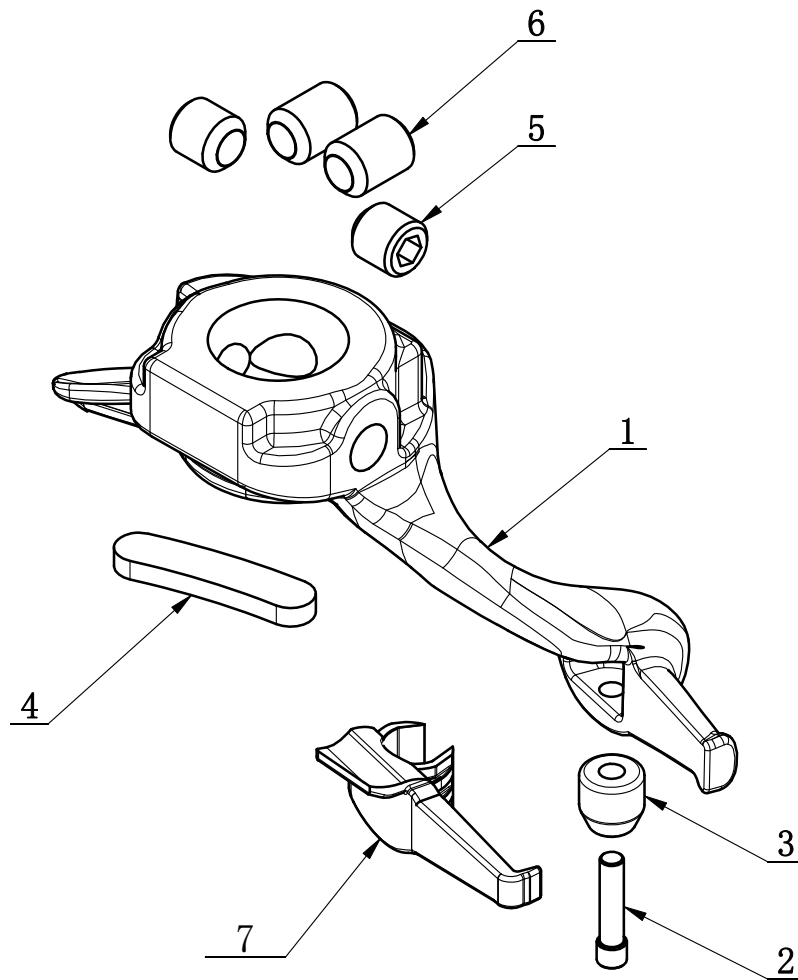
ITEM	PART. No	DESCRIPTION.	QT. Y
1	C-71-1320001	LOCK TURNTABLE CYLINDER HEAD	1
2	C-71-1320002	LOCK CYLINDER BODY	1
3	C-71-1320003	Y-RING	1
4	GB70. 1-M6×35	INNER HEXA CYLINDRICAL SCREW	2
5	GB3452. 1-6×1.8-G	HYDRAULIC-PNEUMATIC RUBBER O-RING G TYPE	2
6	PBS 6-01	MALE BRANCH TEE NUT	1

C-71-1330000



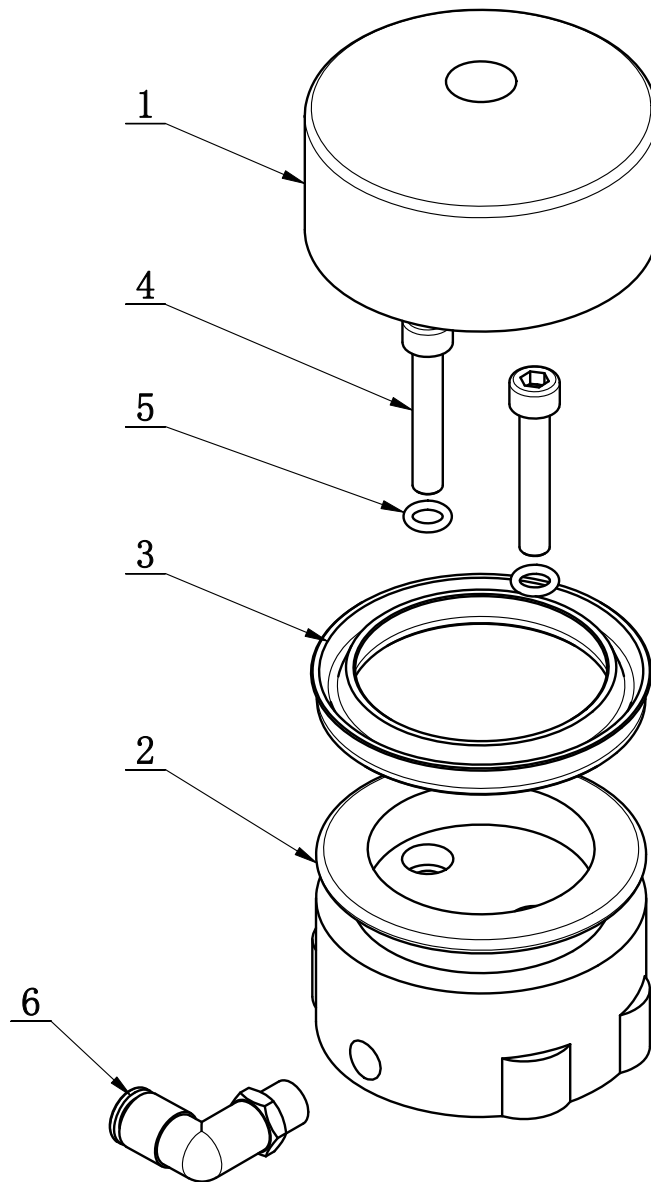
ITEM	PART. No	DESCRIPTION.	QT. Y
1	C-71-1330001	HANDLE CONTROL VALVE	1
2	C-71-1330002	VALVE ROD	1
3	C-71-1330003	VALVE SPACER	3
4	C-71-1330004	FRONT COVER	2
5	C-71-1330005	REAR COVER	1
6	C-71-1330006	FRONT SEALING COVER	1
7	MFPC 6-01	MALE STRAIGHT	2
8	GB3452. 1-8×2. 65-A	HYDRAULIC-PNEUMATIC RUBBER O-RING A TYPE	4

C-54-0001000

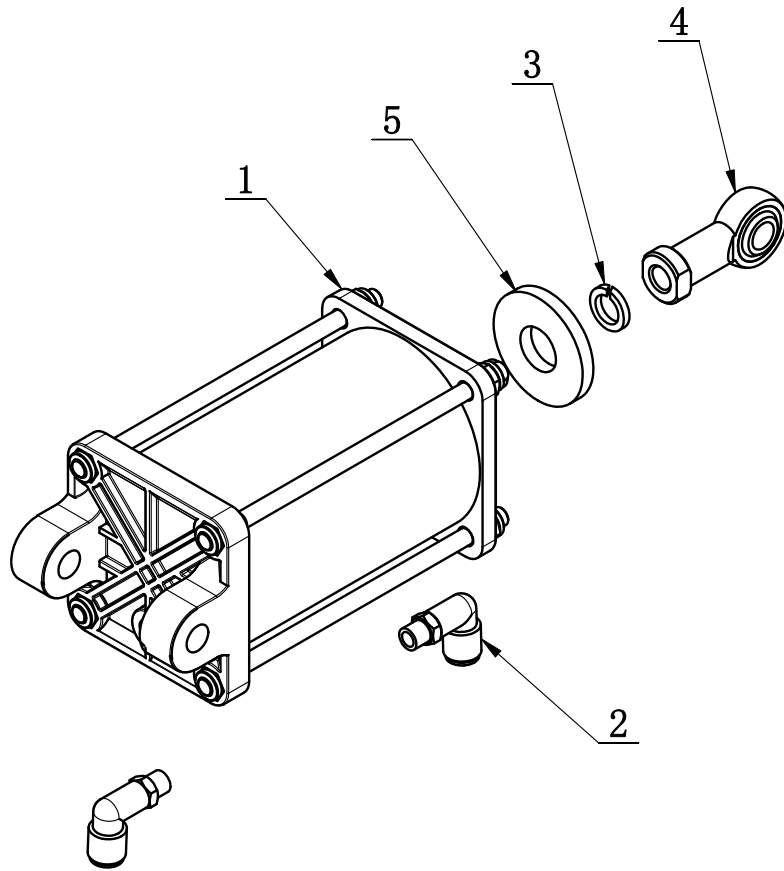


ITEM	PART. No	DESCRIPTION.	QT. Y
1	C-54-1300004	DEMOUNTING HEAD	1
2	C-54-1300006	ROLLER BOLT	1
3	C-54-1300009	ROLLER	1
4	C-54-8000007	TOOL HEAF TAIL WASHER	1
5	GB80-M12×12	INNER HEXA RECESSED TERMINUS SET SCREW	2
6	GB80-M12×16	INNER HEXA RECESSED TERMINUS SET SCREW	2
7	C-54-1300014	SHEATH	1

C-77-1500000

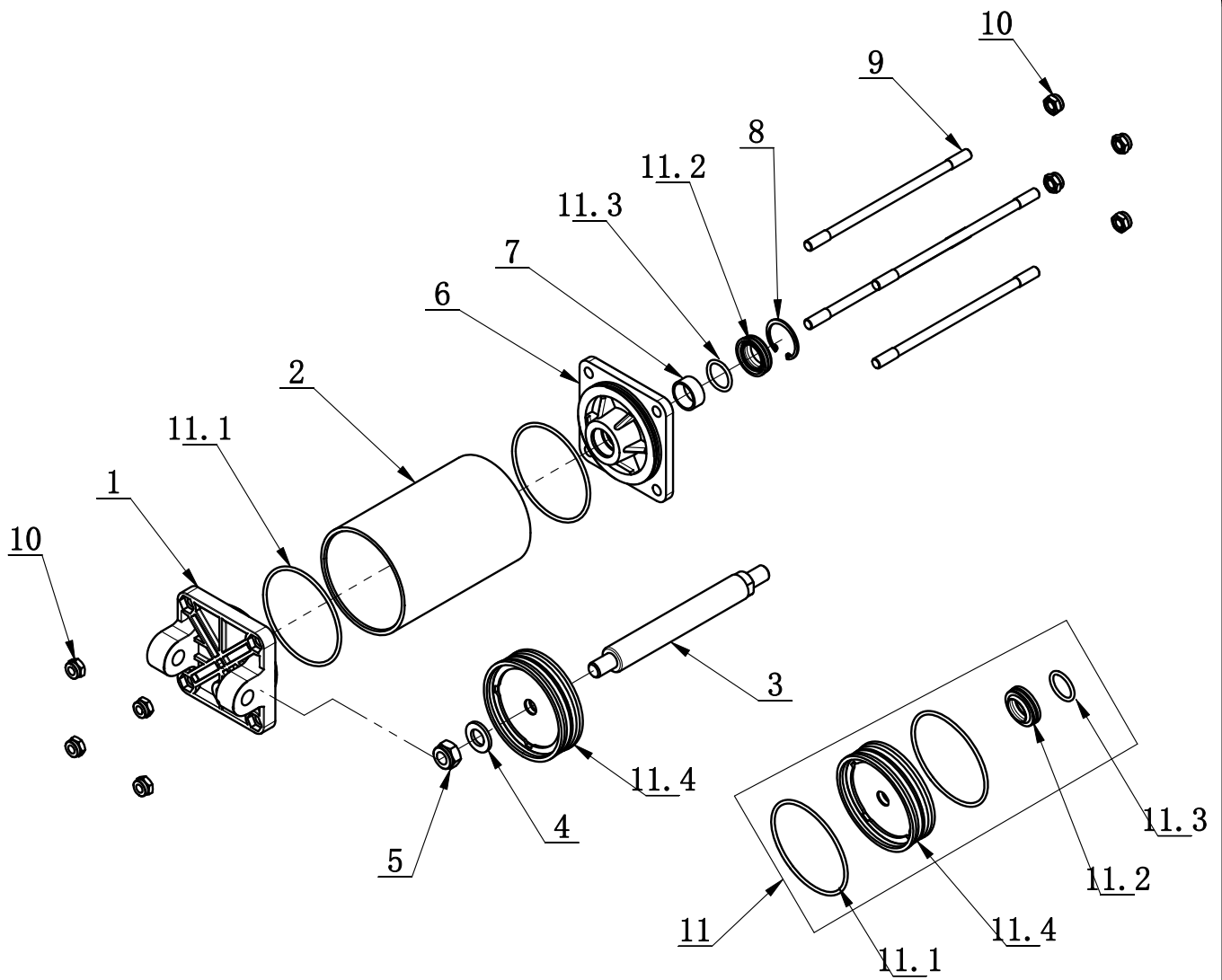


ITEM	PART. No	DESCRIPTION.	QT. Y
1	C-71-1320001	LOCK TURNTABLE CYLINDER HEAD	1
2	C-71-1320002	LOCK CYLINDER BODY	1
3	C-71-1320003	Y-RING	1
4	GB70. 1-M6×35	INNER HEXA CYLINDRICAL SCREW	2
5	GB3452. 1-6×1.8-G	HYDRAULIC-PNEUMATIC RUBBER O-RING G TYPE	2
6	FPL 6-01	MALE ELBOW	1

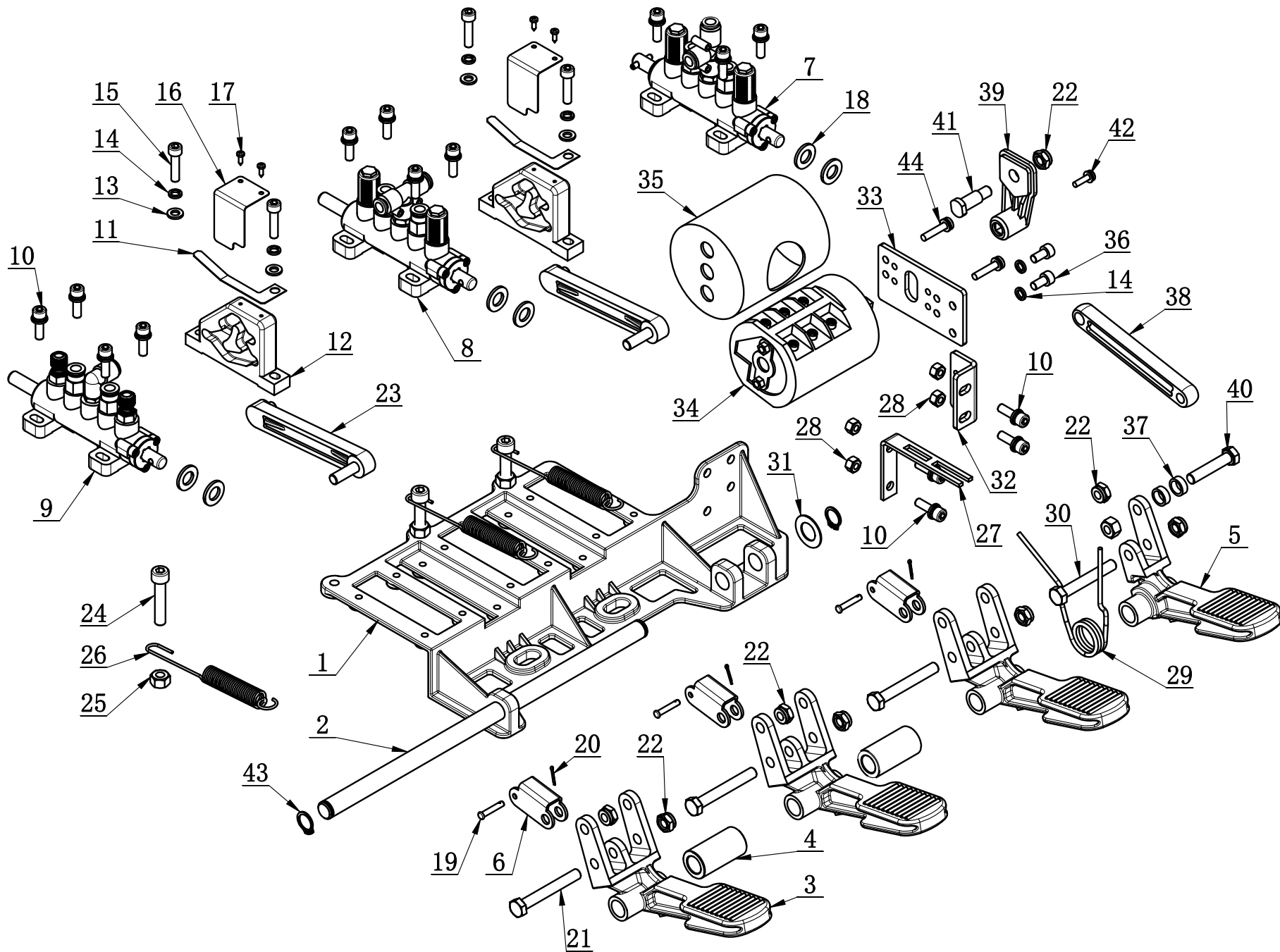


ITEM	PART. No	DESCRIPTION.	QT. Y
1	CT-XD-1100000	PULL-OUT CYLINDER	1
2	FPL 8-01	INSERT ELBOW $\Phi 8$, R1/8	2
3	GB93-12	STANDARD SPRING WASHER	1
4	CT-XD-1000007	BEARING JOINTS	1
5	H-12-1000001	FELT WASHER	1

CT-XD-1100000

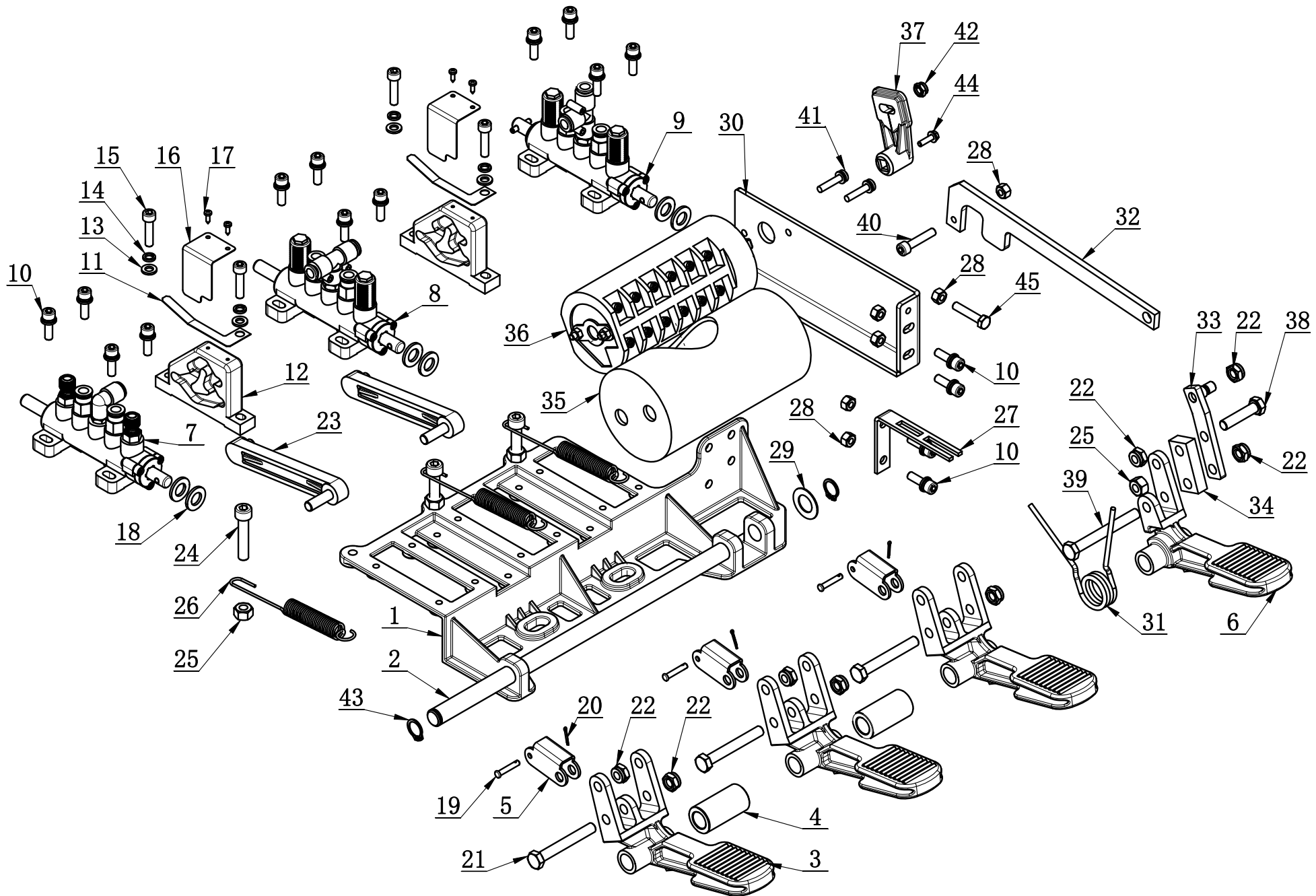


ITEM	PART. No	DESCRIPTION.	QT. Y
1	CT-XD-1000005	CYLINDER REAR COVER	1
2	CT-XD-1000001	CYLINDER BODY	1
3	CT-XD-1000006	SHAFT-CYLINDER	1
4	GB95-12	FLAT WASHER	1
5	GB889. 1-M12	1- TYPE PREVAILING TORQUE TYPE HEXAGON LOCK NUT	1
6	CT-Y-4120004	CYLINDER FRONT COVER	1
7	GB12613-23×20×10	BEARING-SLIDE	1
8	GB893. 1-30	ELASTIC RETAINING RING A-TYPE	1
9	CT-XD-1000003	BARS	4
10	GB889. 1-M8	1-TYPE PREVAILING TORQUE TYPE HEXAGON LOCK NUT	8
11	CT-Y-4121000	CYLINDER SEALING PARTS ASSEMBLY	1
11.1	GB3452. 1-75×2. 65-G	HYDRAULIC-PNEUMATIC RUBBER O-RING G TYPE	2
11.2	CT-Y-0160007	SEAL-ROD, CYLINDER	1
11.3	GB3452. 1-20×2. 65-G	HYDRAULIC-PNEUMATIC RUBBER O-RING G TYPE	1
11.4	CT-Y-4120006	PISTON	1



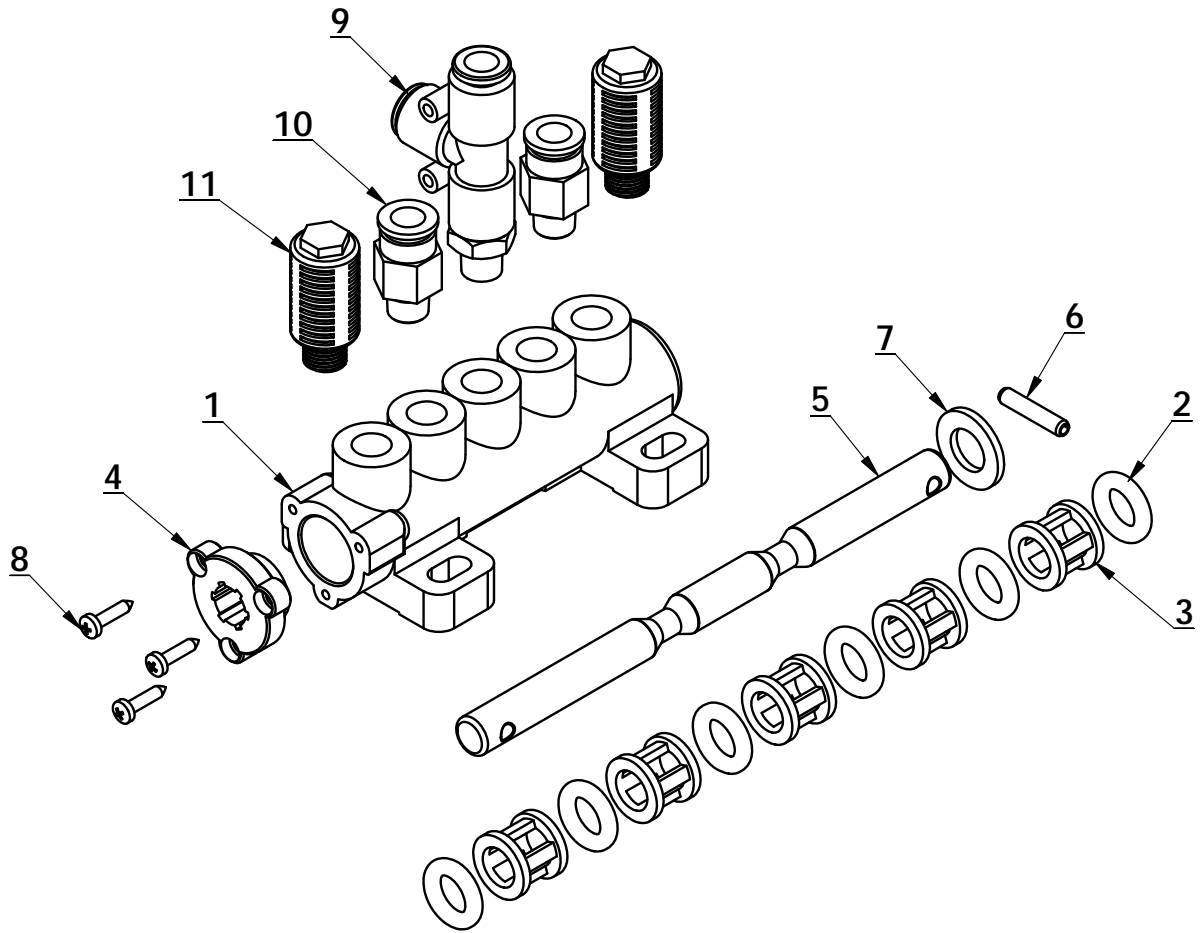
CT-D-A100000

ITEM	PART. No	DESCRIPTION.	QT. Y
1	CT-D-6100001	PEDAL SUPPORT	1
2	CT-D-6100002	BOTTOM SHAFT	1
3	CT-D-9100002	PEDAL	3
4	CT-D-2100001	SPACER	2
5	CT-D-9100001	PEDAL	1
6	CT-D-5100005	CONNECTION PART	3
7	CT-D-0010000	VALVE	1
8	CT-D-0014000	VALVE	1
9	CT-D-0015000	VALVE	1
10	GB9074-M6×20	COMBINATION SCREW	15
11	CT-D-2100004	FORK SPRING PLATE	2
12	CT-D-1100009B	CAM	2
13	GB95-6	FLAT WASHER	4
14	GB93-6	STANDARD SPRING WASHER	6
15	GB70. 1-M6×25	INNER HEXA CYLINDRICAL SCREW	4
16	CT-D-1100011A	CAM BAFFLE PLATE	2
17	GB845-ST2.9×9.5 H C	CROSS PANHEAD TAPPING SCREW	4
18	GB95-10	FLAT WASHER	6
19	GB882-4×22	PIN SHAFT	3
20	GB91-1.6×10	SLOTTED PIN	3
21	GB5783-M8×60	HEXANGULAR BOLT	3
22	GB889. 1-M8	1-TYPE PREVAILING TORQUE TYPE HEXAGON LOCK NUT	8
23	CT-D-1100008	CAM CONNECTING ROD	2
24	GB70. 1-M8×40	INNER HEXA CYLINDRICAL SCREW	3
25	GB41-M8	HEXANGULAR NUT	4
26	CT-D-5100007	SPRING	3
27	CT-D-2100010	TORSION SPRING BRACKET	1
28	GB41-M6	HEXANGULAR NUT	4
29	CT-D-2100002	TORSION SPRING	1
30	GB5782-M8×55	HEXANGULAR BOLT	1
31	CT-D-2100014	WASHER	1
32	CT-D-5100008	SWITCH SUPPORT	1
33	CT-D-5100009A	SWITCH SUPPORT	1
34	CT-D-1100018	SWITCH	1
35	CT-D-1100014	SWITCH COVER	1
36	GB70. 1-M6×12	INNER HEXA CYLINDRICAL SCREW	2
37	CT-D-2100005	SPACER	2
38	CT-D-2100011	CONNECTION ROD	1
39	CT-D-1100010	REVERSE LEVER	1
40	GB5783-M8×40	HEXANGULAR BOLT	1
41	CT-D-2100012	ROTATION SHAFT	1
42	GB9074. 4-M4×16	COMBINATION SCREW	1
43	GB894. 1-14	SHAFT ELATIC BIG RETAINING RING A-TYPE	2
44	GB9074. 4-M5×25	COMBINATION SCREW	2

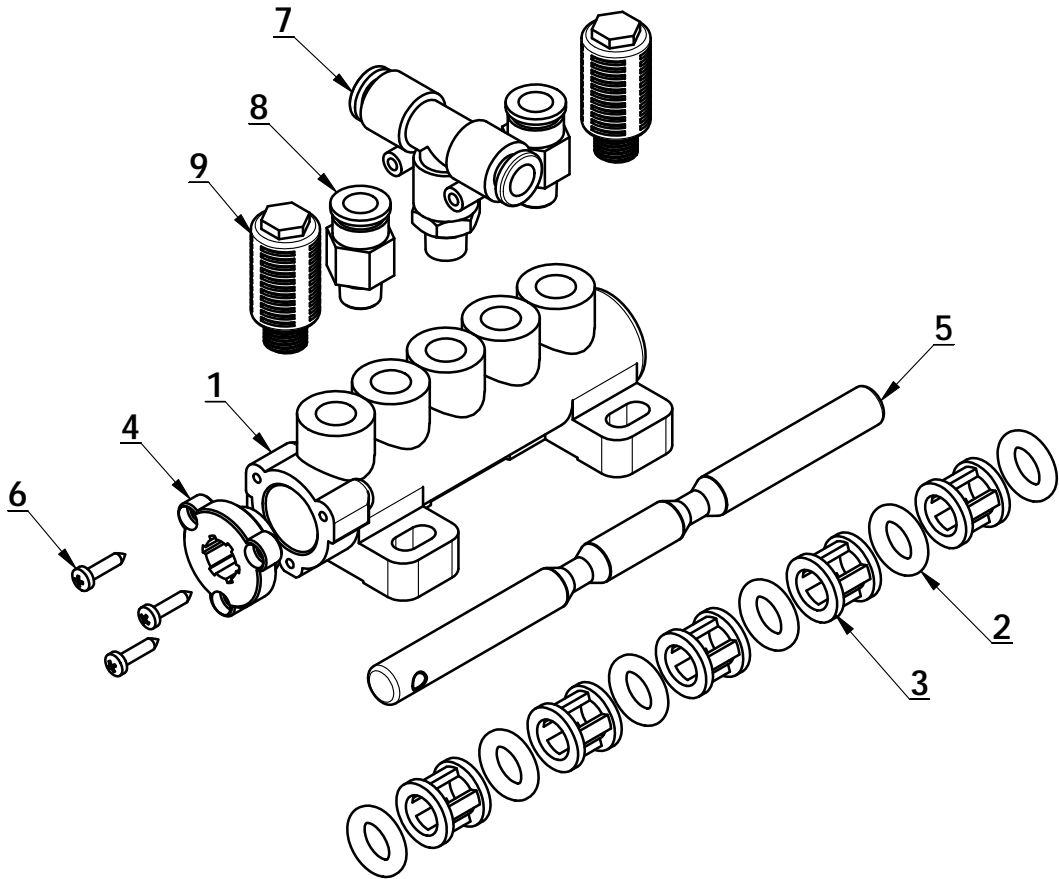


CT-D-B100000

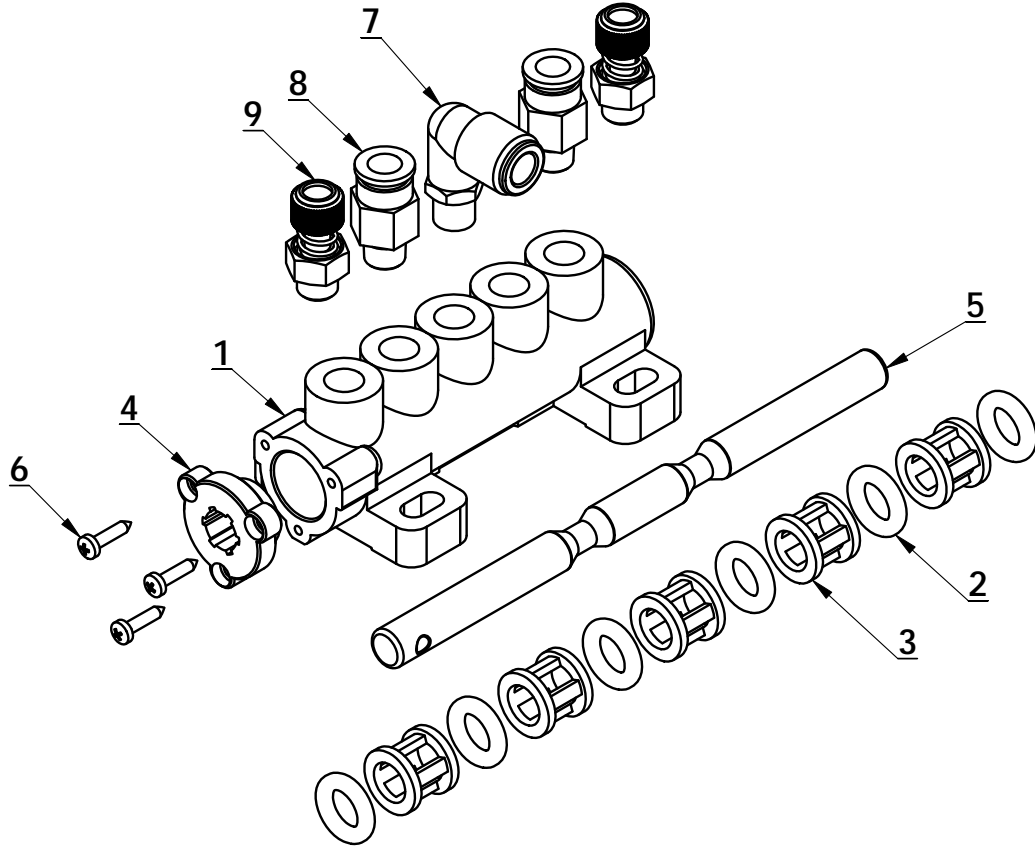
ITEM	PART. No	DESCRIPTION.	QT. Y
1	CT-D-6100001	PEDAL SUPPORT	1
2	CT-D-6100002	BOTTOM SHAFT	1
3	CT-D-9100002	PEDAL	3
4	CT-D-2100001	SPACER	2
5	CT-D-5100005	CONNECTION PART	3
6	CT-D-9100001	PEDAL	1
7	CT-D-0015000	VALVE	1
8	CT-D-0014000	VALVE	1
9	CT-D-0010000	VALVE	1
10	GB9074-M6×20	COMBINATION SCREW	16
11	CT-D-2100004	FORK SPRING PLATE	2
12	CT-D-1100009B	CAM	2
13	GB95-6	FLAT WASHER	4
14	GB93-6	STANDARD SPRING WASHER	4
15	GB70. 1-M6×25	INNER HEXA CYLINDRICAL SCREW	4
16	CT-D-1100011A	CAM BAFFLE PLATE	2
17	GB845-ST2. 9×9. 5 H C	CROSS PANHEAD TAPPING SCREW	4
18	GB95-10	FLAT WASHER	6
19	GB882-4×22	PIN SHAFT	3
20	GB91-1. 6×10	SLOTTED PIN	3
21	GB5783-M8×60	HEXANGULAR BOLT	3
22	GB889. 1-M8	1-TYPE PREVAILING TORQUE TYPE HEXAGON LOCK NUT	8
23	CT-D-1100008	CAM CONNECTING ROD	2
24	GB70. 1-M8×40	INNER HEXA CYLINDRICAL SCREW	3
25	GB41-M8	HEXANGULAR NUT	4
26	CT-D-5100007	SPRING	3
27	CT-D-2100010	TORSION SPRING BRACKET	1
28	GB41-M6	HEXANGULAR NUT	6
29	CT-D-2100014	WASHER	1
30	CT-D-8100001	SWITCH BARCKET	1
31	CT-D-7100001	TORSION SPRING	1
32	CT-D-7100002	SWITCH CONNECTING PLATE	1
33	CT-D-7100004H	BRACKET PLATE	1
34	CT-D-7100005	SAPCER PLATE	1
35	CT-D-7100006	SWITCH COVER	1
36	CT-D-7100007	SWITCH	1
37	CT-D-7100008	REVERSE LEVER	1
38	GB5783-M8×35	HEXANGULAR BOLT	1
39	GB5783-M8×70	HEXANGULAR BOLT	1
40	GB70. 1-M6×30	INNER HEXA CYLINDRICAL SCREW	1
41	GB9074. 4-M5×25	COMBINATION SCREW	2
42	GB889. 1-M6	1-TYPE PREVAILING TORQUE TYPE HEXAGON LOCK NUT	1
43	GB894. 1-14	SHAFT ELATIC BIG RETAINING RING A-TYPE	2
44	GB9074. 13-M4×16	COMBINATION SCREW	1
45	GB5783-M6×30	HEXANGULAR BOLT	1



ITEM	PART. No	DESCRIPTION.	QT. Y
1	CT-D-1110001	VALVE BODY	1
2	CT-D-1110003	O-RING	6
3	CT-D-1110004	SPACER	5
4	CT-D-1110005	VALVE CAP	1
5	CT-D-2600001	VALVE ROD	1
6	GB879. 1-4×20	PIN	1
7	GB95-10	FLAT WASHER	1
8	GB845-ST2. 9×13 H C	SCREW	3
9	FPD 8-01	MALE RUN TEE	1
10	FPC 8-01	MALE STRAIGHT	2
11	FSK 01	PLASTIC PARTICLE SILENCER	2

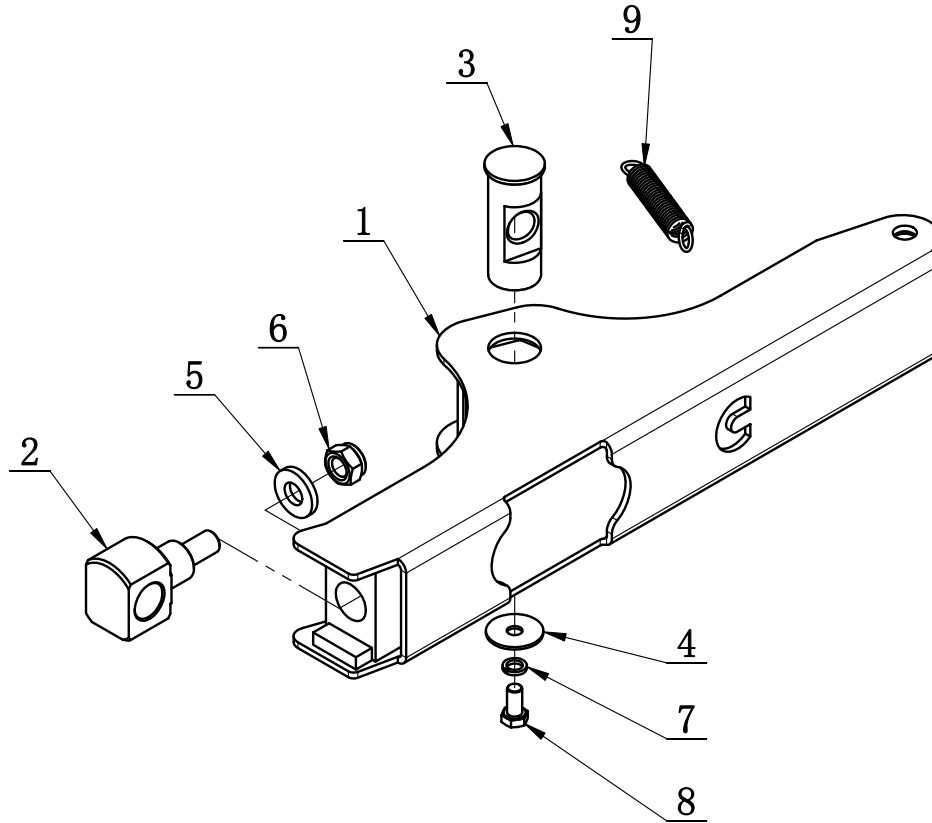


ITEM	PART. No	DESCRIPTION.	QT. Y
1	CT-D-1110001	VALVE BODY	1
2	CT-D-1110003	O-RING	6
3	CT-D-1110004	SPACER	5
4	CT-D-1110005	VALVE CAP	1
5	CT-D-2600003	VALVE ROD	1
6	GB845-ST2.9×13 H C	CROSS PANHEAD TAPPING SCREW	3
7	FPB 8-01	INSERT TEE, Φ8 , R1/8	1
8	FPC 8-01	MALE STRAIGHT	2
9	FSK 01	PLASTIC PARTICLE SILENCER	2



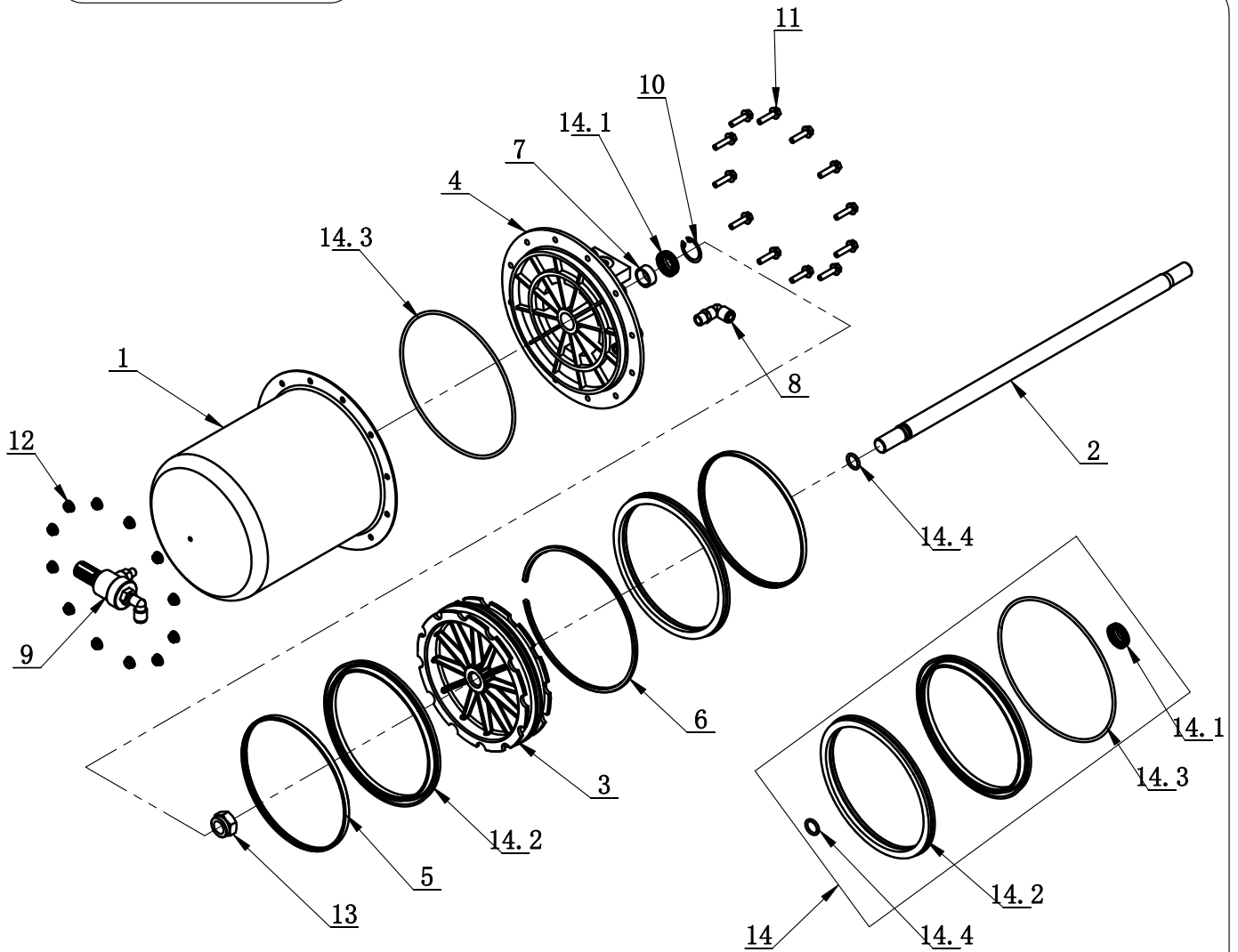
ITEM	PART. No	DESCRIPTION.	QT. Y
1	CT-D-1110001	VALVE BODY	1
2	CT-D-1110003	O-RING	6
3	CT-D-1110004	SPACER	5
4	CT-D-1110005	VALVE CAP	1
5	CT-D-2600003	VALVE ROD	1
6	GB845-ST2. 9×13 H C	SCREW	3
7	FPL 8-01	INSERT ELBOW Φ8, R1/8	1
8	FPC 8-01	MALE STRAIGHT	2
9	FJSR 01	BRASS REGULATOR SILENCER	2

CT-B-9000000

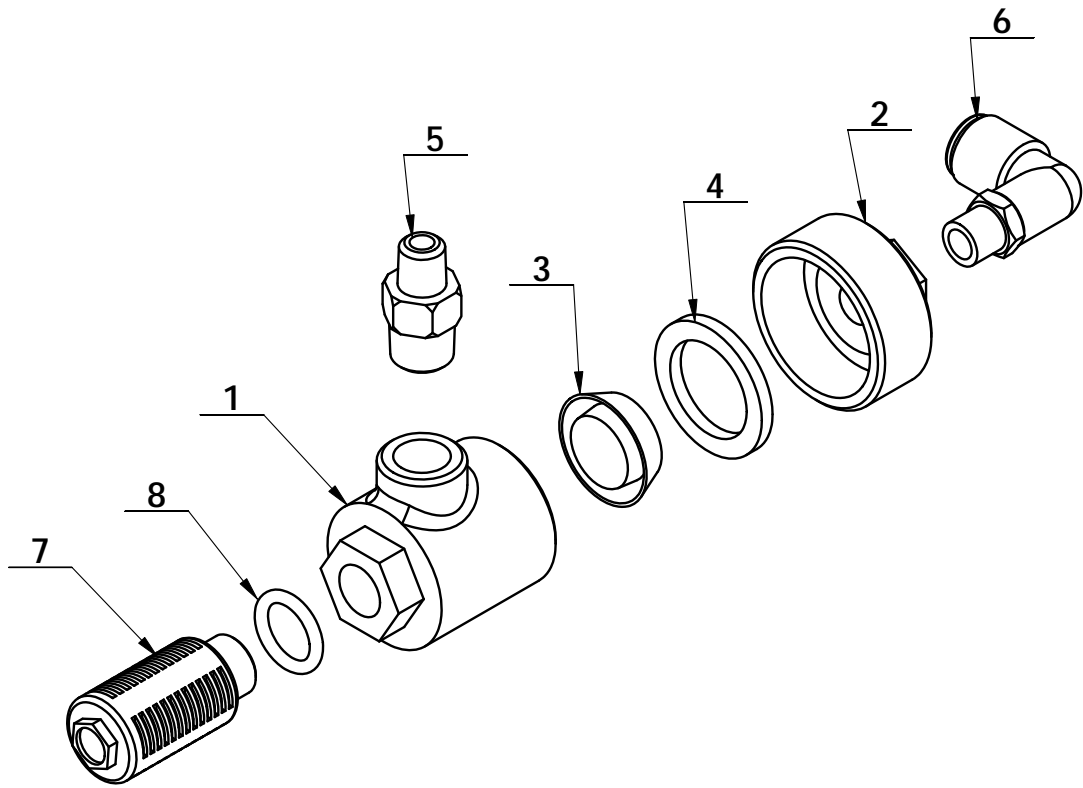


ITEM	PART. No	DESCRIPTION.	QT. Y
1	CT-B-9100000	BEAD BREAKER ARM	1
2	CT-B-9000001	TURN ROD	1
3	CT-B-6000001	CONNECT ROD	1
4	CT-B-6000003	PAD	1
5	C-71-1000010	WASHER	1
6	GB889.1-M16	1-TYPE PREVAILING TORQUE TYPE HEXAGON LOCK NUT	1
7	GB93-10	STANDARD SPRING WASHER	1
8	GB5783-M10×20	HEXANGULAR BOLT	1
9	CT-B-2000002	SPRING	1

CT-LS-7400000

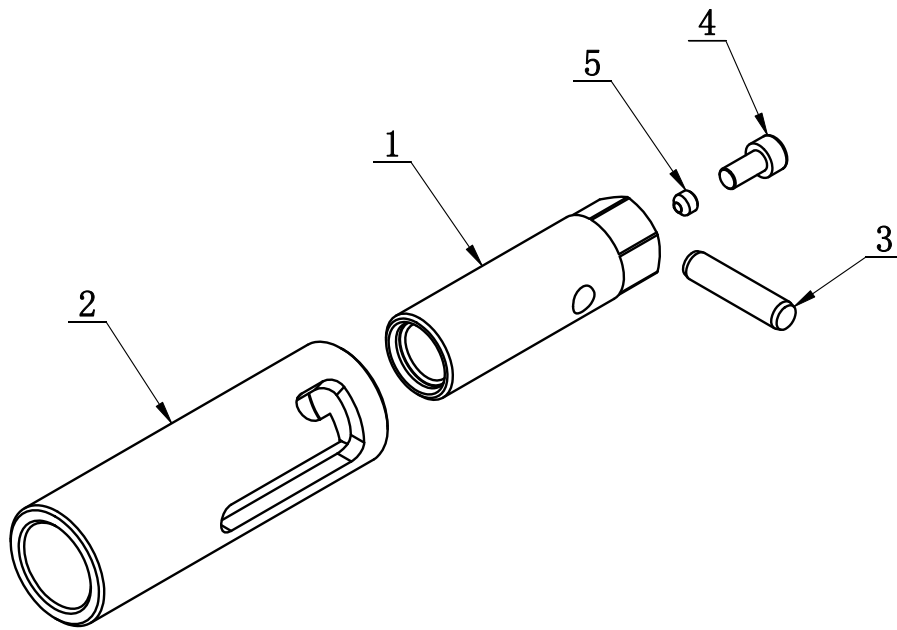


ITEM	PART. No	DESCRIPTION.	QT. Y
1	CT-LS-1100002	CYLINDER BODY	1
2	CT-LS-7100001	CYLINDER PISTON ROD	1
3	CT-LS-1100003	PISTON	1
4	CT-LS-1100004	CYLINDER COVER	1
5	CT-LS-1100006	CLAMP RING	2
6	CT-LS-1100007	PISTION SUPPORT RING	1
7	CT-LS-1100008	GUIDER SPACER	1
8	FPL 8-02	INSERT ELBOW $\Phi 8$, R1/4	1
9	CT-LS-1320000	QUICK DEFLATE VALVE ON BODY	1
10	GB893. 2-30	ELASTIC RETAINING RING B-TYPE	1
11	GB5789-AM6×25	HEXA FLANGE BOLT	12
12	GB6177. 1-M6	HEXA FLANGE NUT	12
13	GB889. 2-M18×1. 5	NUT M18×1. 5	1
14	CT-LS-1110000	CYCLINDER SEALING PARTS ASSEMBLY	1
14. 1	CT-Y-0160007	SEAL-ROD, CYLNDR	1
14. 2	CT-LS-1100009	Y-RING	2
14. 3	GB3452. 1-185×3. 55-G	O-RING G TYPE	1
14. 4	GB3452. 1-15. 5×2. 65-G	HYDRAULIC-PNEUMATIC RUBBER O-RING G TYPE	1



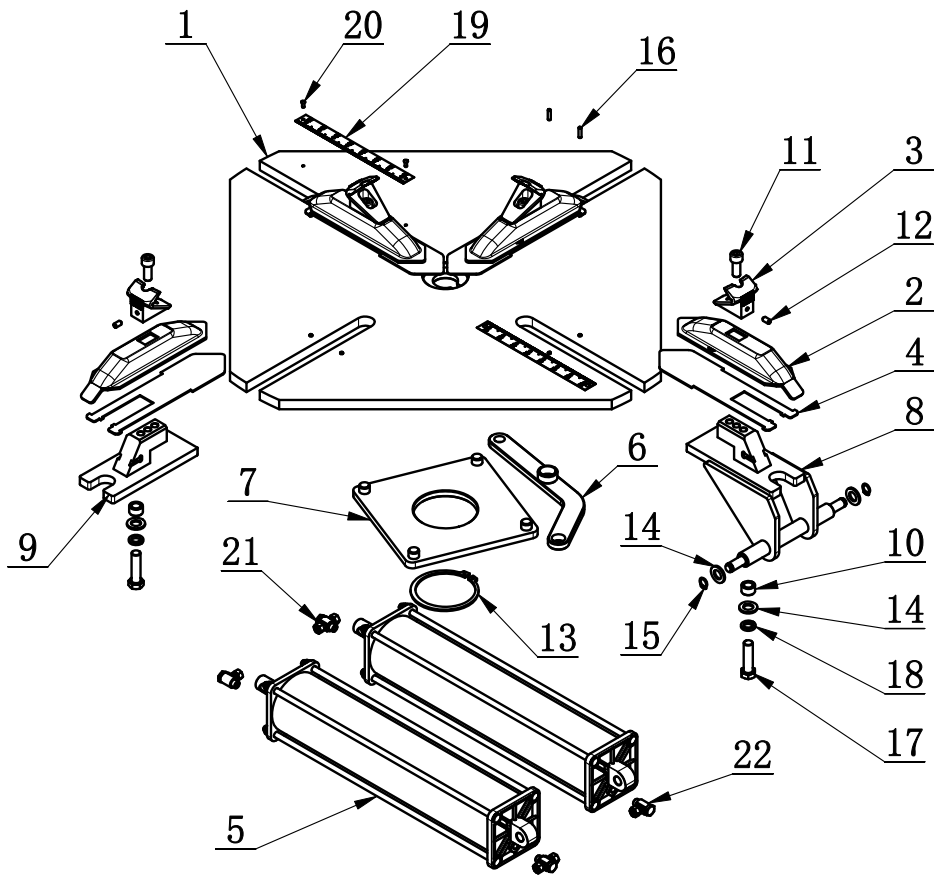
ITEM	PART. No	DESCRIPTION.	QT. Y
1	CT-LS-1310001	LOWER COVER OF QUICK DEFLATE VALVE	1
2	CT-LS-1310002	COVER OF QUICK DEFLATE VALVE	1
3	CT-LS-1310003	PISTON	1
4	CT-LS-1310004	RUBBER WASHER	1
5	CT-K-1100007	FITTING	1
6	FPL 8-01	INSERT ELBOW $\Phi 8$, R1/8	1
7	FSK 02	PLASTIC PARTICLE SILENCER	1
8	GB3452. 1-12. 8 \times 2. 65-G	HYDRAULIC-PNEUMATIC RUBBER O-RING G TYPE	1

C-5B-1400000



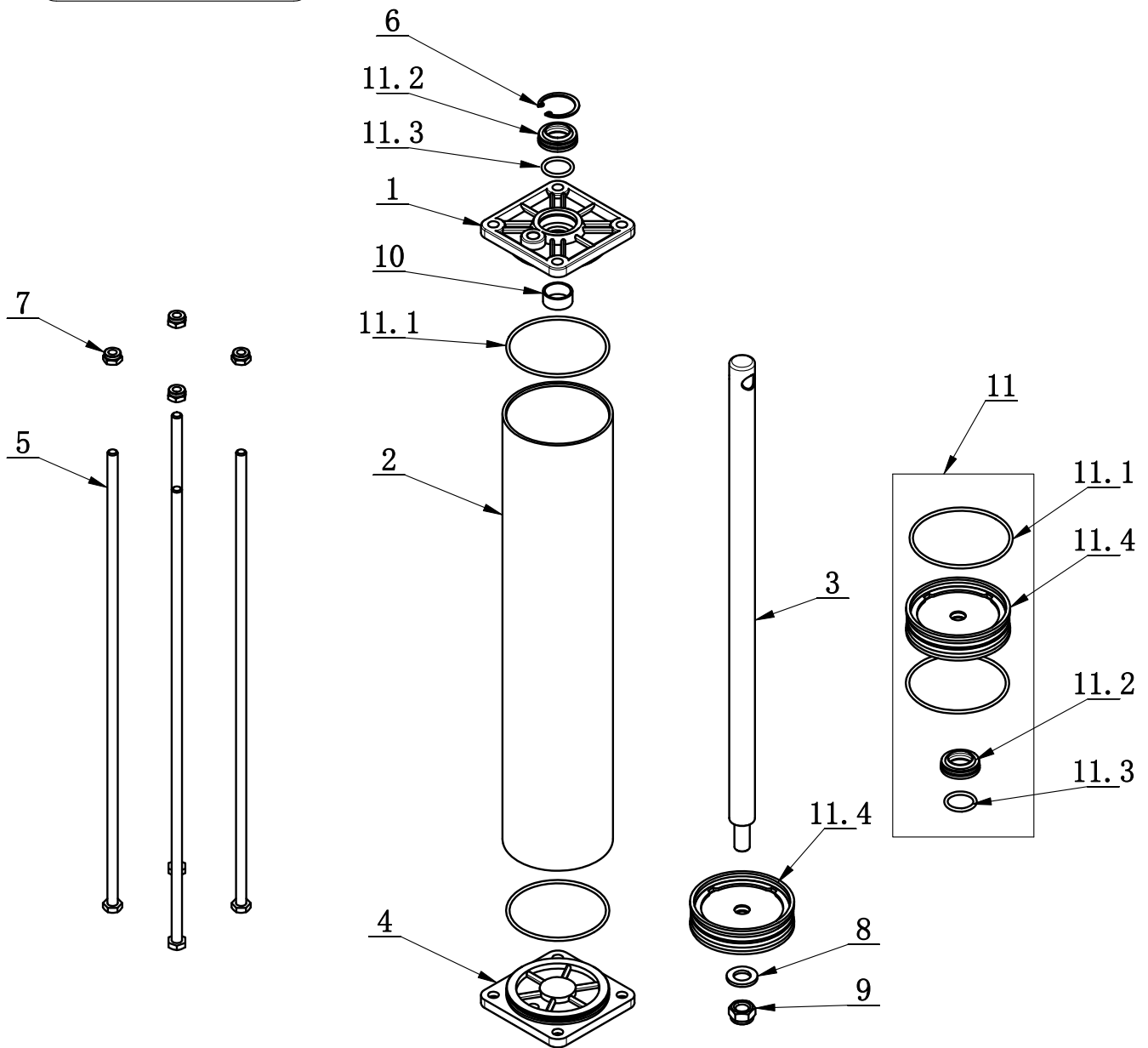
ITEM	PART. No	DESCRIPTION.	QT. Y
1	C-5B-1400001	FIXED AXIS	1
2	C-5B-1400002	REGULATE	1
3	GB119. 1-8×35	CYLINDRICAL PIN	1
4	GB70. 1-M6×12	INNER HEXA CYLINDRICAL SCREW	1
5	GB80-M6×5	INNER HEXA RECESSED TERMINUS SET SCREW	1

CT-Y-5B00000

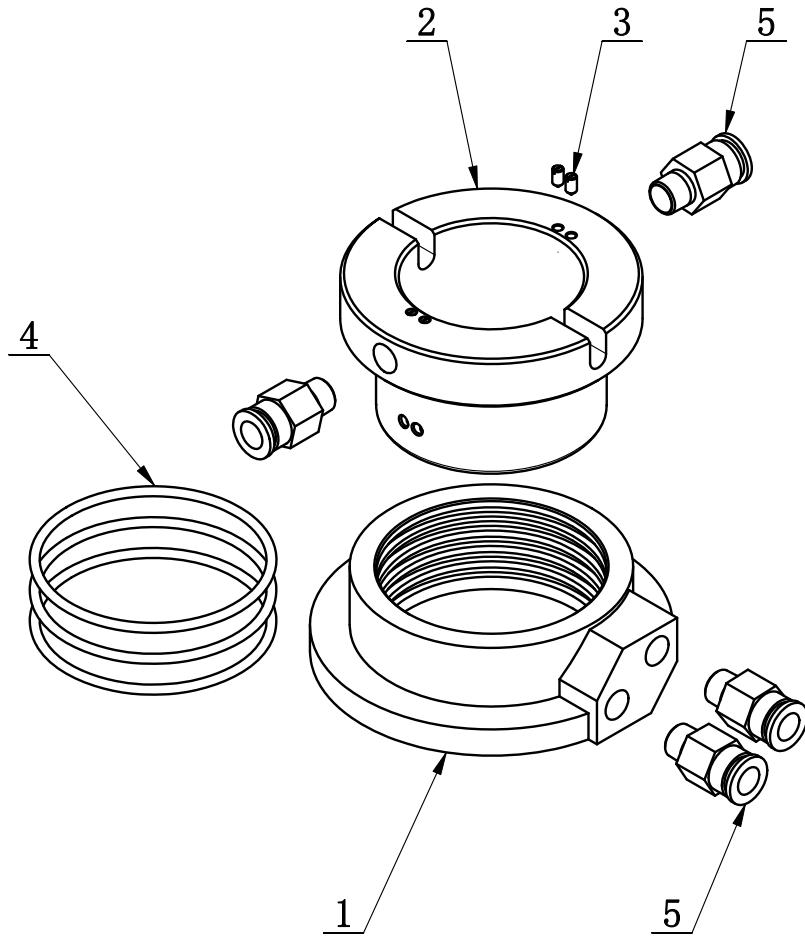


ITEM	PART. No	DESCRIPTION.	QT. Y
1	CT-Y-5B10000	TURNTABLE	1
2	CT-Y-5000001	SLIDE COVER	4
3	CT-Y-5000002	CLAMP	4
4	CT-Y-5000004	WEARABLE WASHER	4
5	CT-Y-5010000	CYLINDER ASSEMBLY D80X350	2
6	CT-Y-5020000	CONNECTION PLATE	4
7	CT-Y-5030000	SQUARE TURNTABLE	1
8	CT-Y-5070000	CYLINDER BRACKET	2
9	CT-Y-5080000	PRESS PLATE WELDING	2
10	CT-Y-0100003	SPACER	4
11	GB70.1-M10×25-12.9	INNER HEXA CYLINDRICAL SCREW	4
12	GB78-M6×12	INNER HEXA CONIC TERMINUS SET SCREW	4
13	GB894.1-85	SHAFT ELATIC BIG RETAINING RING A-TYPE	1
14	GB95-12	FLAT WASHER	8
15	GB894.1-12	SHAFT ELATIC BIG RETAINING RING A-TYPE	4
16	GB879.1-4×16	ELASTIC CYLINDRICAL PIN, HEAVY	8
17	GB5783-M12×45	HEXANGULAR BOLT	4
18	GB93-12	STANDARD SPRING WASHER	4
19	CT-Y-C200001	SCALE	2
20	GB827-3×8	LABEL RIVET	4
21	CT-Y-0100008	HINGE ELBOW Φ8 G1/8	2
22	CT-Y-0100006	HINGE ELBOW Φ8 G1/8	2

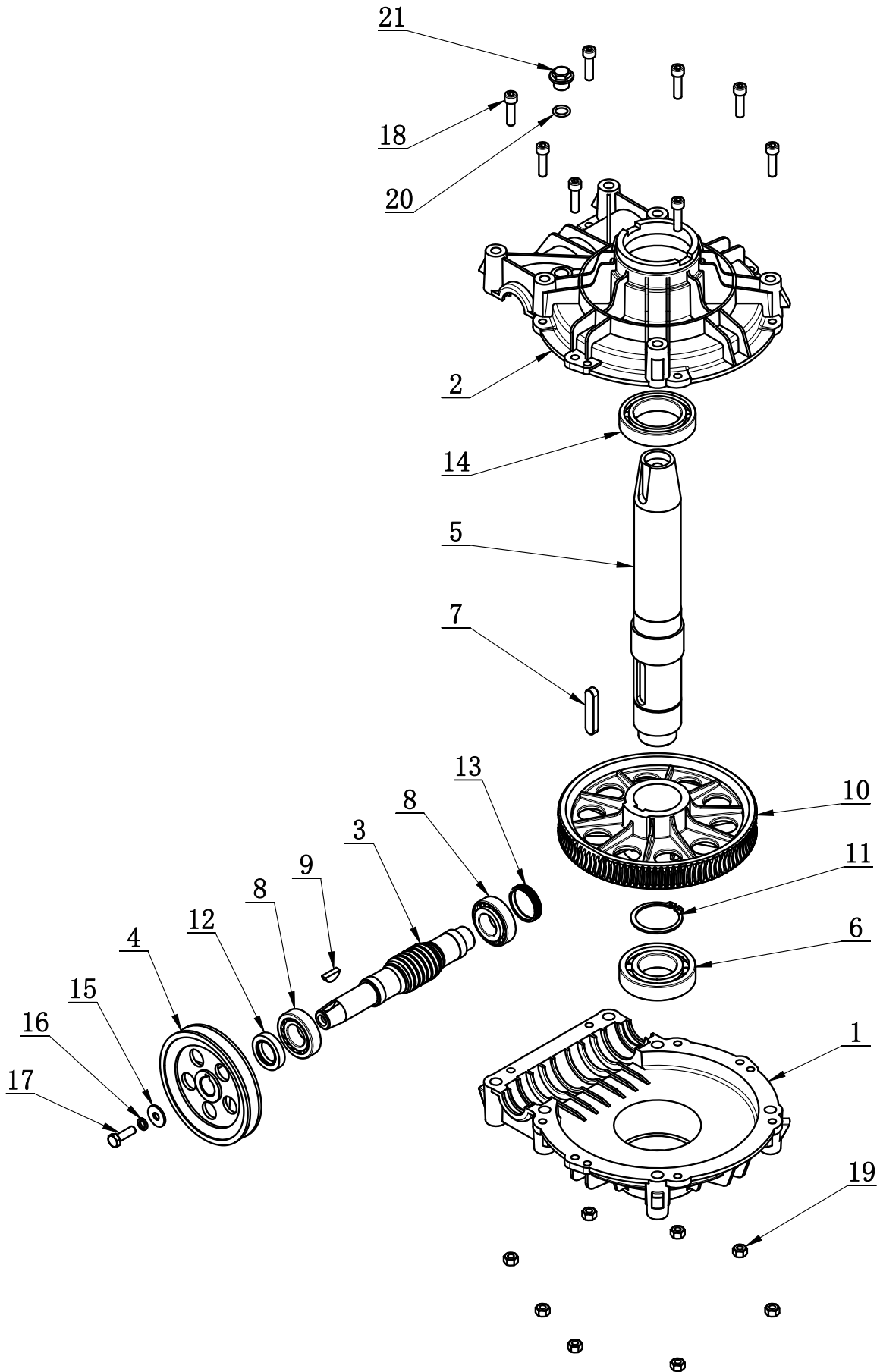
CT-Y-5010000



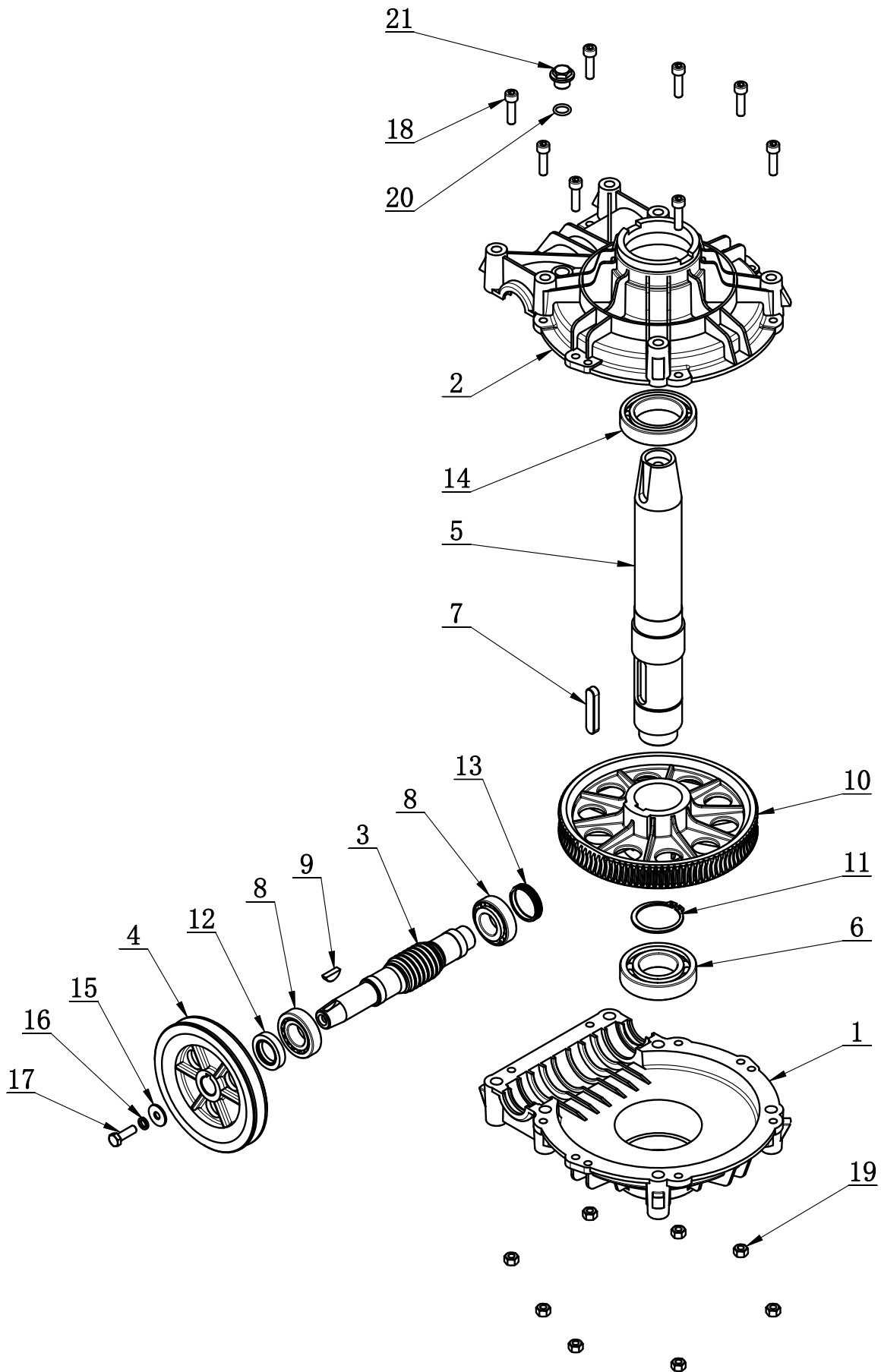
ITEM	PART. No	DESCRIPTION.	QT. Y
1	CT-Y-4120004	CYLINDER FRONT COVER	1
2	CT-Y-5010001	CYLINDER 80MM	1
3	CT-Y-5010002	SHAFT-CLYDR	1
4	CT-Y-4120005	CAP-BASE, CYLNDR	1
5	CT-Y-5010003	BOLT	4
6	GB893. 1-30	ELASTIC RETAINING RING A-TYPE	1
7	GB889. 1-M8	1-TYPE PREVAILING TORQUE TYPE HEXAGON LOCK NUT	4
8	GB95-12	FLAT WASHER	1
9	GB889. 1-M12	1- TYPE PREVAILING TORQUE TYPE HEXAGON LOCK NUT	1
10	GB12613-23×20×10	BEARING-SLIDE	1
11	CT-Y-4121000	CYCLINDER SEALING PARTS ASSEMBLY	1
11.1	GB3452. 1-75×2. 65-G	HYDRAULIC-PNEUMATIC RUBBER O-RING G TYPE	2
11.2	CT-Y-0160007	SEAL-ROD, CYLNDR	1
11.3	GB3452. 1-20×2. 65-G	HYDRAULIC-PNEUMATIC RUBBER O-RING G TYPE	1
11.4	CT-Y-4120006	PISTON	1



ITEM	PART. No	DESCRIPTION.	QT. Y
1	CT-Q-1000001	AIR GUIDE EXTERNAL BUSHING	1
2	CT-Q-1000002	AIR GUIDE ROTATION BUSHING	1
3	GB71-M3×6	SLOTTED CONIC HEAD SET SCREW	4
4	GB3452. 1-60×2. 65-G	HYDRAULIC-PNEUMATIC RUBBER O-RING G TYPE	3
5	FPC 8-01	MALE STRAIGHT	4

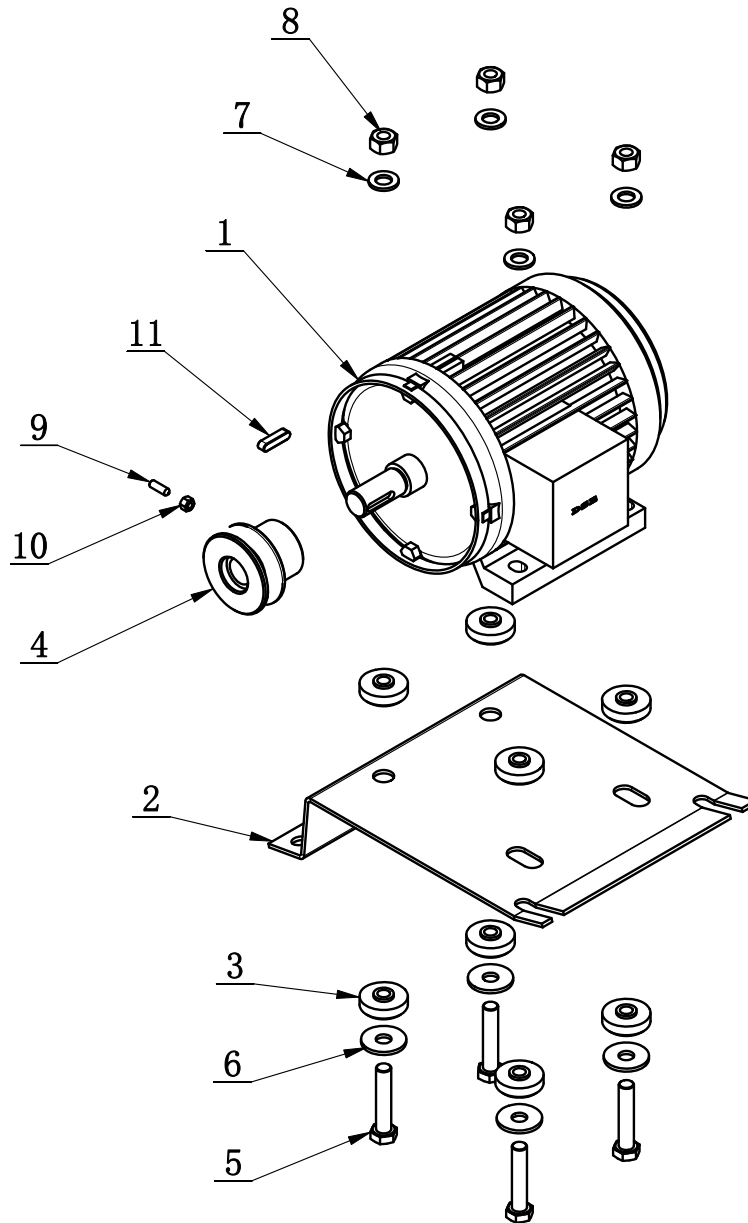


ITEM	PART. No	DESCRIPTION.	QT. Y
1	CT-J-0000005	GEARBOX	1
2	CT-J-0000006	GEARBOX TOP	1
3	CT-J-0000004	WORM ROD	1
4	CT-J-0000008	BELT PULLEY	1
5	CT-J-0000002	WORM SHAFT	1
6	GB276-6208	BEARING	1
7	GB1096-12×8×56	COMMON FLAT KEY	1
8	GB297-30205	BEARING	2
9	GB1099. 1-6×9×22	COMMON SEMI-CIRCULAR KEY	1
10	CT-J-0000003	WORM	1
11	GB894. 1-50	RETAINING RING A-TYPE	1
12	FB25-40 GB13871. 92	SEALED RING	1
13	CT-J-0100000	CAP	1
14	GB276-6010	DEEP GROOVE BALL BEARINGS	1
15	GB96. 2-8	LARGE WASHER C GRADE	1
16	GB93-8	STANDARD SPRING WASHER	1
17	GB5783-M8×25	HEXANGULAR BOLT	1
18	GB70. 1-M8×30	INNER HEXA CYLINDRICAL SCREW	8
19	GB41-M8	HEXANGULAR NUT	8
20	GB3452. 1-13. 2×2. 65-G	HYDRAULIC-PNEUMATIC RUBBER O-RING G TYPE	1
21	TC-10-1400013	BOLT	1

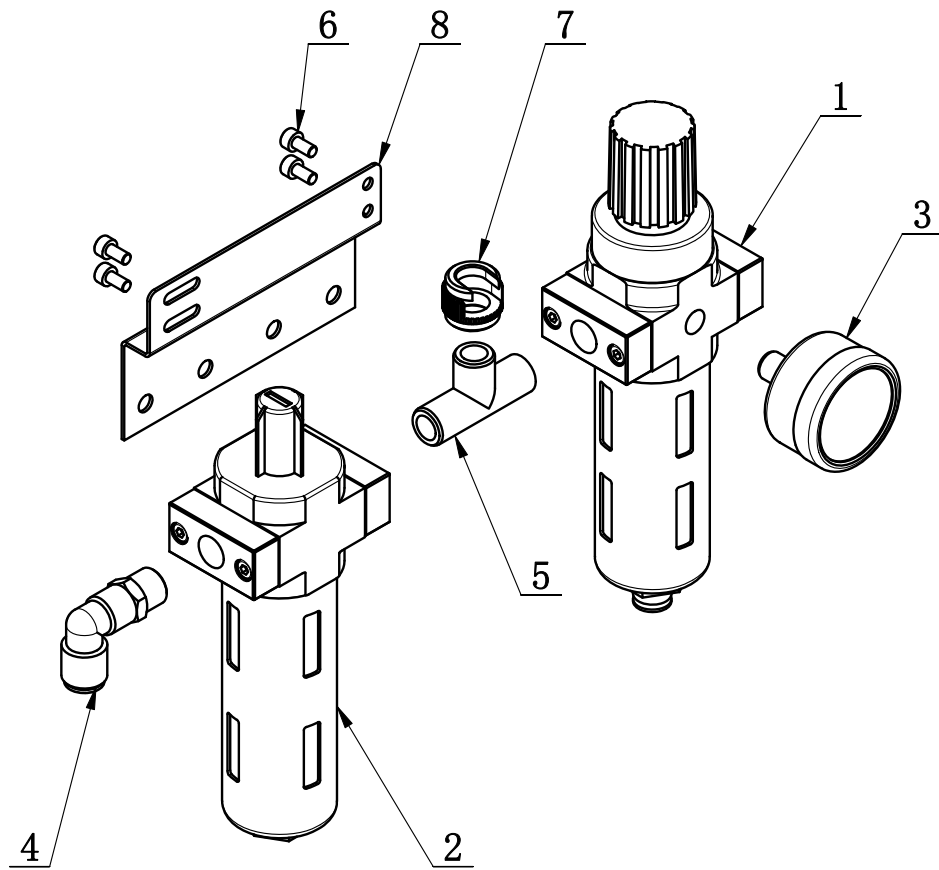


ITEM	PART. No	DESCRIPTION.	QT. Y
1	CT-J-0000005	GEARBOX	1
2	CT-J-0000006	GEARBOX TOP	1
3	CT-J-0000004	WORM ROD	1
4	CT-J-0000007	BELT PULLEY	1
5	CT-J-0000002	WORM SHAFT	1
6	GB276-6208	BEARING	1
7	GB1096-12×8×56	COMMON FLAT KEY	1
8	GB297-30205	BEARING	2
9	GB1099. 1-6×9×22	COMMON SEMI-CIRCULAR KEY	1
10	CT-J-0000003	WORM	1
11	GB894. 1-50	RETAINING RING A-TYPE	1
12	FB25-40 GB13871. 92	SEALED RING	1
13	CT-J-0100000	CAP	1
14	GB276-6010	DEEP GROOVE BALL BEARINGS	1
15	GB96. 2-8	LARGE WASHER C GRADE	1
16	GB93-8	STANDARD SPRING WASHER	1
17	GB5783-M8×25	HEXANGULAR BOLT	1
18	GB70. 1-M8×30	INNER HEXA CYLINDRICAL SCREW	8
19	GB41-M8	HEXANGULAR NUT	8
20	GB3452. 1-13. 2×2. 65-G	HYDRAULIC-PNEUMATIC RUBBER O-RING G TYPE	1
21	TC-10-1400013	BOLT	1

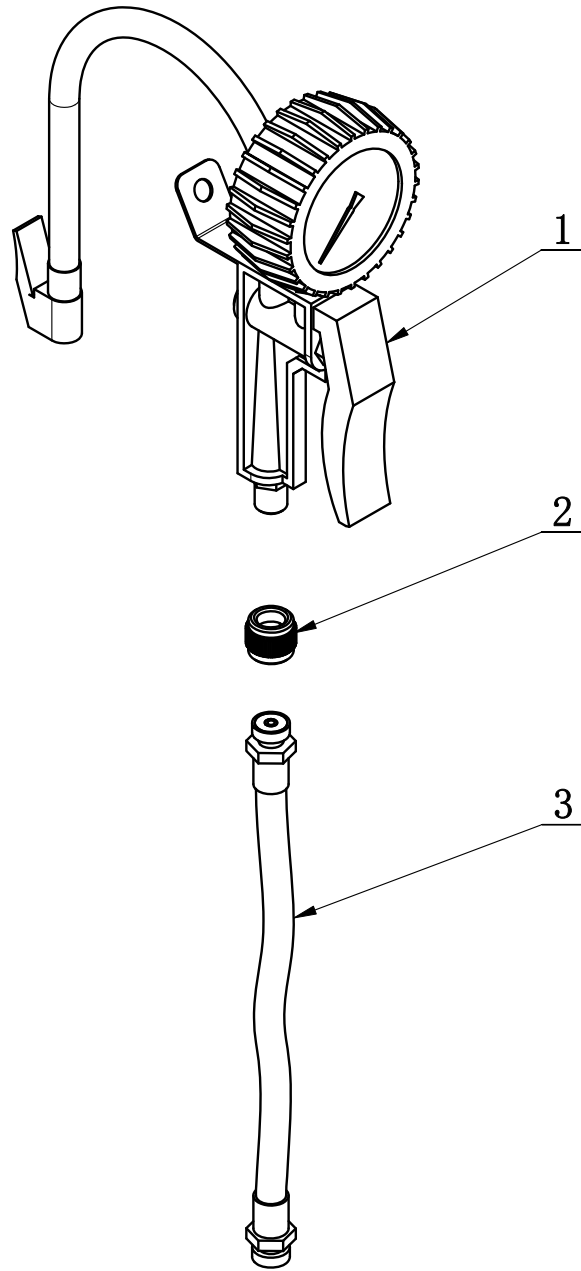
CT-DJ-0334122



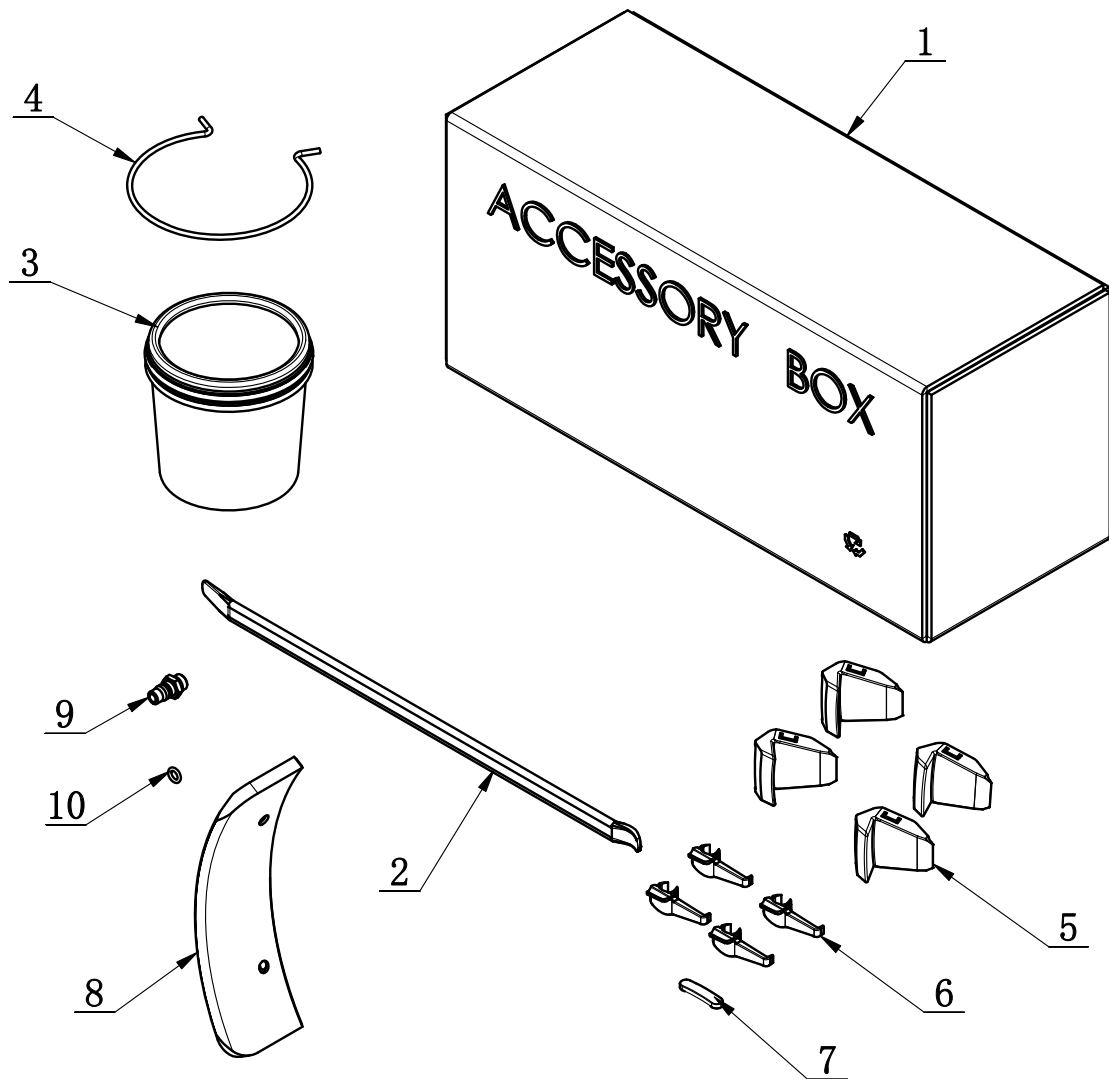
ITEM	PART. No	DESCRIPTION.	QT. Y
1	CT-DJ-0034122	MOTOR (380V, 50Hz, 3P, 0.75Kw)	1
2	CT-DJ-0000001	MOTOR SUPPORT	1
3	CT-DJ-0000002	RUBBER WASHER	8
4	CT-DJ-0000004	PULLEY	1
5	GB5783-M10×50	HEXANGULAR BOLT	4
6	GB96. 1-10	LARGE WASHER A GRADE	4
7	GB95-10	FLAT WASHER	4
8	GB41-M10	HEXANGULAR NUT	4
9	GB78-M5×16	INNER HEXA CONIC TERMINUS SET SCREW	1
10	GB41-M5	HEXANGULAR NUT	1
11	GB1096-6×6×25	COMMON FLAT KEY	1



ITEM	PART. No	DESCRIPTION.	QT. Y
1	CT-F-2000010	PRESSURE ADJUST VALVE AND WATER CUP	1
2	CT-F-2000020	OIL CUP	1
3	CT-F-2000003	PRESSURE GAUGE	1
4	FPL 8-02	INSERT ELBOW $\Phi 8$, R1/4	1
5	PEH 02-02	FEMALE UNION TEE	1
6	GB70. 1-M4 \times 8	INNER HEXA CYLINDRICAL SCREW	4
7	C-01-1500004	OPEN NUT	1
8	CT-F-2000040	AIR REGULATOR BRACKET	1



ITEM	PART. No	DESCRIPTION.	QT. Y
1	CT-P-6000001	INFLATING GUN	1
2	C-01-1500004	OPEN NUT	1
3	CT-P-1000002	INFLATION HOSE	1



ITEM	PART. No	DESCRIPTION.	QT. Y
1	C-54-8000002	ACCESSORY BOX	1
2	C-54-8000003	20INCH CROWBAR	1
3	C-54-8100000	GREASE CONTAINER	1
4	C-54-8000004	BRACKET	1
5	CT-Y-5000007	CLAMP PROTECTION COVER	4
6	C-54-1300014	SHEATH	4
7	C-54-8000007	TOOL HEAF TAIL WASHER	1
8	C-90-1000013	BEAD BREAKER BLADE COVER	1
9	C-54-8000011	AIR SUPPLY CONNECTOR	1
10	GB3452. 1-8×2. 65-A	HYDRAULIC-PNEUMATIC RUBBER O-RING A TYPE	1