

Model 210SAC

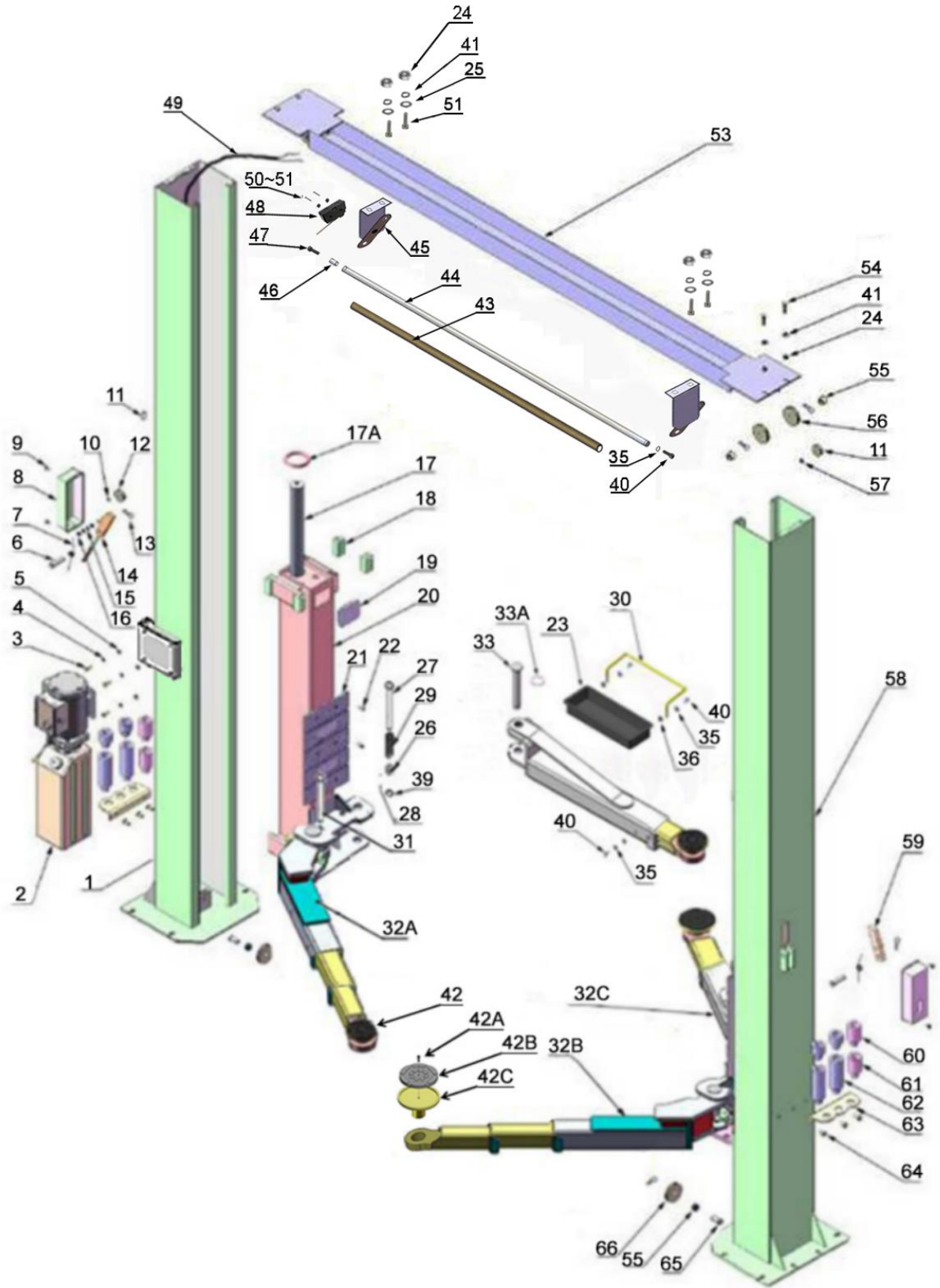


Fig.41

PARTS LIST FOR MODEL 210C

Item	Part#	Description	QTY.	
			210C	210SAC
1	11209206	Power side Column	1	1
2	81513001	Power Unit 220V/50Hz/1Phase	1/1	1/1
	81513002	Power Unit 380V/50Hz/3Phase		
3	10209003	Hex Bolt M8*25	4	4
4	10209004	Rubber Ring φ8*20*3	4	4
5	10209005	Self-locking Nut M8	4	4
6	1102011004A	Safety Pin	2	2
7	10209007	Safety Spring	2	2
8	10209008	Safety Cover	2	2
9	10209009	Cup Head Bolt M6*8	4	4
10	10209010	Snap Ring φ10	1	1
11	10620059	Protective ring φ12	1	1
12	10209049	Plastic small pulley	3	3
13	10209012	Hair Pin φ3.2	8	8
14	11209013	Power side Safety Lock	1	1
15	10206006	Washer φ12	2	2
16	10206023A	Hex Nut M12	2	2
17	11209014-02	Cylinder	2	2
17A	11209111	Protective ring for cylinder	2	2
18	10209015	Slider Block	16	16
19	10209016	Carriage Plastic Cover	2	2
20	11209208	Carriage	2	2
21	10209018	Protective Rubber	2	2
22	10209019	Screw M6*16	12	12
23	10206190	Tool tray	2	2
24	10209021	Hex Nut M10	8	8
25	10209022	Washer φ10	4	4
26	10217044-01	Arm lock	4	4
27	11217046A	Arm lock bar (Left)	2	2
28	10206036	Hair Pin φ6*40	4	4
29	10217045	Spring φ26*φ31*φ2.5	4	4
30	11206191	Toe guard bar	4	4
31	11217046	Arm lock bar (Right)	2	2
32	10203156	Front arm	4	0
32A	10279010	Right front arm	0	1
32B	10279009	Left front arm	0	1
32C	10279011	Rear arm	0	2
33	11217168	Arm Pin	4	4
33A	10520023	Snap Ring φ38	4	4
34	10201090	Shim 1mm	10	10
	10620065	Shim 2mm	10	10
35	10209034	Lock Washer φ8	13	9
36	10209033	Washer φ8	8	4

Item	Part#	Description	QTY.	
			210C	210SAC
37	10209501B	Part box	1	0
	10209502B		0	1
38	10209153	Pull tab for arm lock bar	4	4
39	10206032	Snap ring ϕ 25	4	4
40	10201002	Hex Bolt M8*16	9	5
41	10209039	Lock Washer ϕ 10	8	8
42	11217114A	Rubber Pad Assy.	4	4
42A	10420138	Socket bolt	4	4
42B	10209134	Rubber Pad	4	4
42C	11680030B	Rubber Pad Support Frame	4	4
43	10206025A	Foam Cushion	1	1
44	1102072001-01	Control Bar	1	1
45	1103072003A-01	Control Bar Support Bracket	2	2
46	110207007	Connecting bush ϕ 14*20	1	1
47	10201122	Hex Bolt M8*35	1	1
48	1002022001	Limit Switch CZ-7120 10A	1	1
49	10209250-01	Wire 2*1 ² *3505mm	1	1
50	10420164	Cup Head Bolt M4*30	2	2
51	10620095	Hex nut M4	2	2
52	10206017	Hex Bolt M10*20	4	4
53	11211011-01	Top Beam	1	1
54	10209046	Hex Bolt	4	4
55	1002011001	Steel Bush	6	6
56	1102011001	Small Pulley ϕ 80	4	4
57	10209056	Self-locking Nut M10	6	6
58	11209207	Offside Column	1	1
59	11211013	Offside Safety Lock	1	1
60	11209051B	Stackable Adapter (1.5")	4	4
61	11209052B	Stackable Adapter (2.5")	4	4
62	11209053B	Stackable Adapter (5")	4	4
63	11209054A	Stackable Adapter Bracket	2	2
64	10680003	Hex Bolt	4	4
65	1102011005A	Pin for Pulley	2	2
66	1102012001	Big Pulley ϕ 100	2	2
67	10209059	Anchor Bolt 3/4*5-1/2	12	12
68	10209060	90° Fitting for power unit	1	1
69	10211014-01	Oil hose 1/4"×4280mm	1	1
70	10211016	T- fitting	1	1
71	10211015A-02	Oil hose 1/4"×5343mm	2	1
72	10211017	Extend 90° fitting for Cylinder	2	2
73	10209066	Hex Nut	4	4
74	10211018-01	Cable ϕ 9.52×9402mm	2	2
75	10211019	Safety Cable	1	1

1. Lifting arm assy. (10203156) explosive view

MODEL:210C

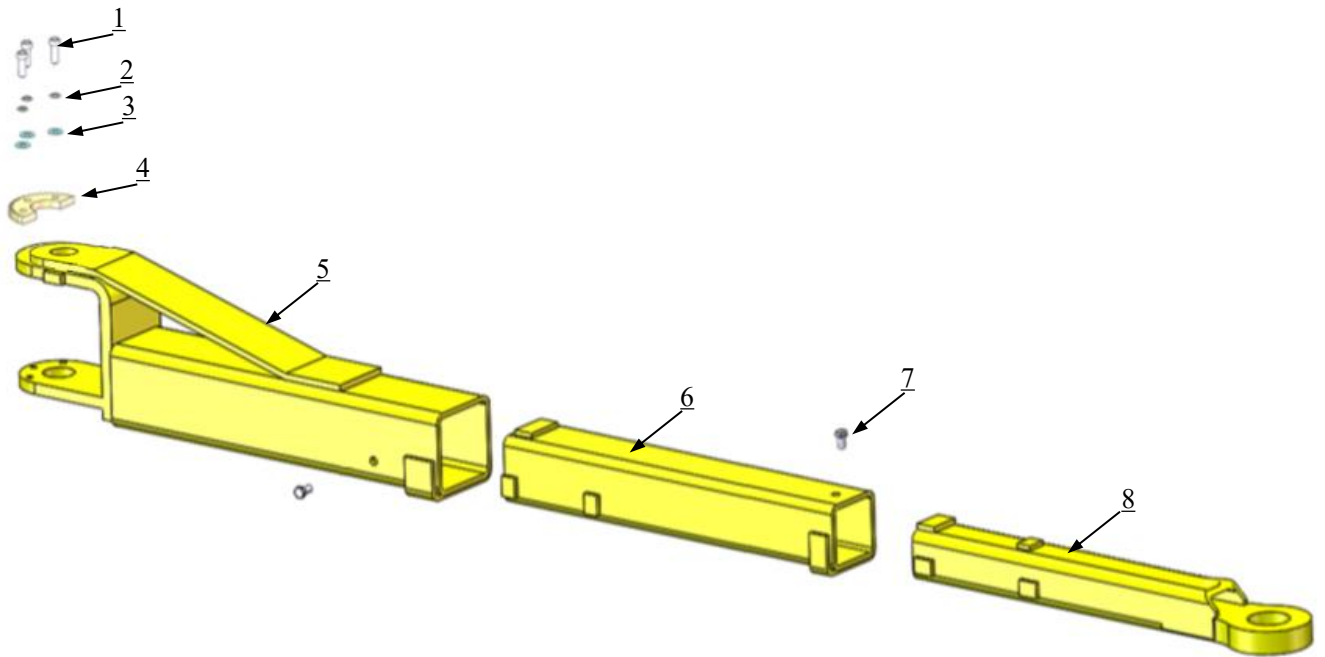


Fig.42

Item	Part#	Description	QTY.
1	10206048	Socket bolt M10*30	12
2	10209039	Lock Washer $\phi 10$	12
3	10209022	Washer $\phi 10$	12
4	11206049	Moon gear	4
5	11203146	Outer arm	4
6	11203147	Middle arm	4
7	10201149	Cup head bolt M8*12	8
8	11203148	Inner arm	4

2. Rear arm assy. (10279011) explosive view

MODEL:210SAC

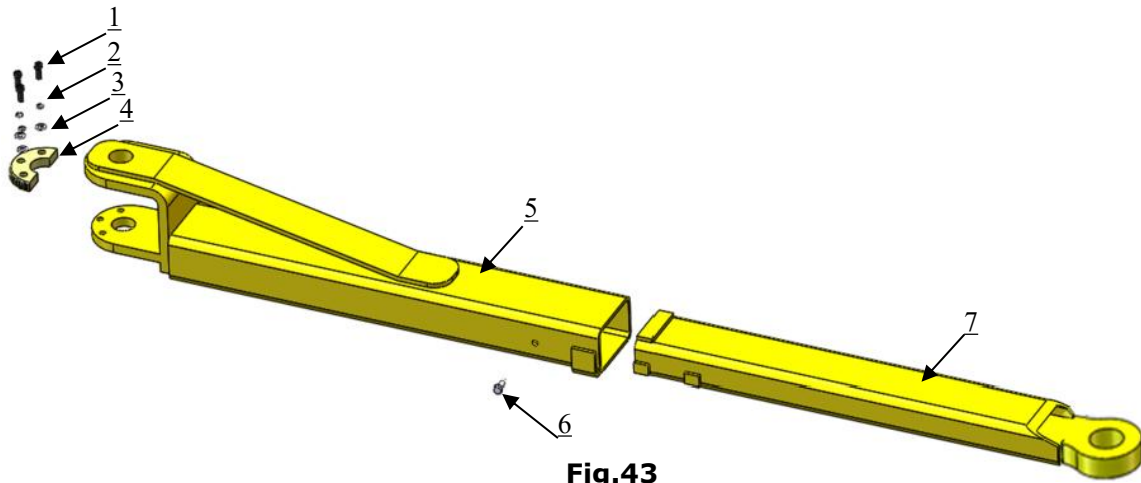


Fig.43

Item	Part#	Description	QTY.
1	10206048	Socket bolt M10*30	6
2	10209039	Lock Washer ϕ 10	6
3	10209022	Washer ϕ 10	6
4	11206049	Moon gear	2
5	11206192	Outer arm - Rear	2
6	10201149	Cup head bolt M8*12	2
7	11206193	Inner arm - Rear	2

3. Front-left arm assy. (10279009) explosive view

MODEL:210SAC

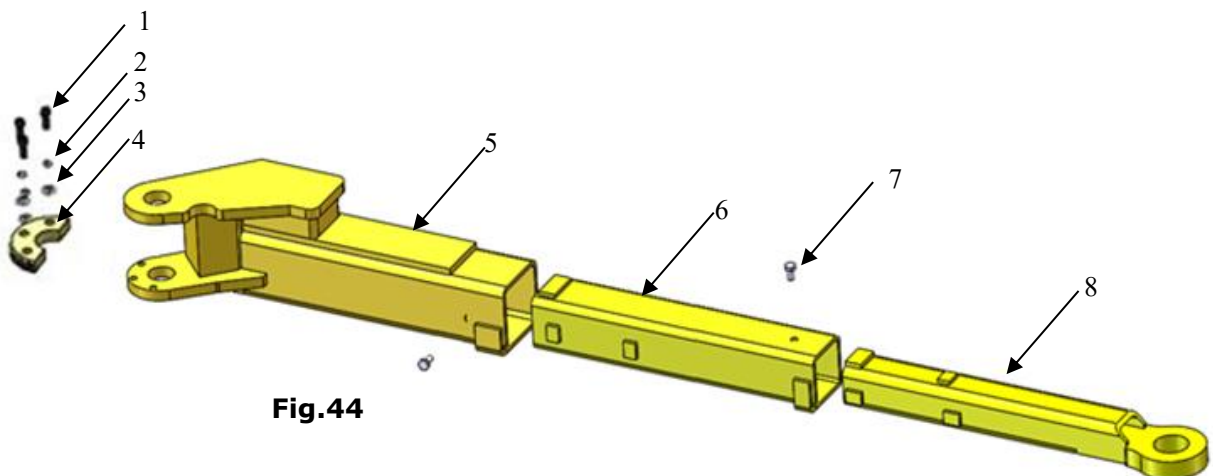


Fig.44

Item	Part#	Description	QTY.
1	10206048	Socket bolt M10*30	3
2	10209039	Lock washer φ10	3
3	10209022	Washer φ10	3
4	11206049	Moon gear	1
5	11279005	Outer arm - Front left	1
6	11206189	Middle arm - Front	1
7	10201149	Cup head bolt M8*12	2
8	11201049A	Inner arm - Front	1

4. Front-right arm assy. (10279010) explosive view

Model: 210SAC

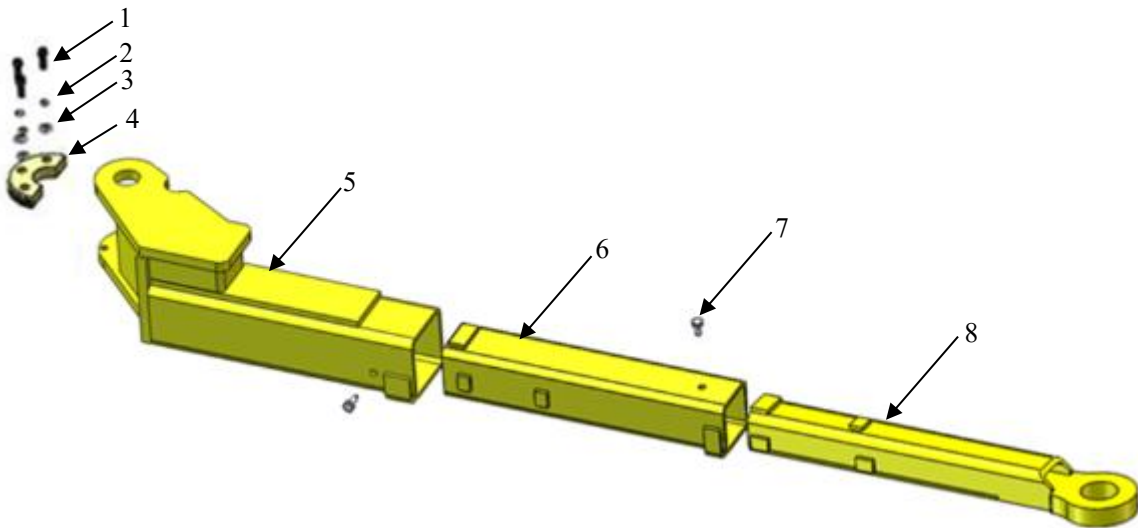


Fig.45

Item	Part#	Description	QTY.
1	10206048	Socket bolt M10*30	3
2	10209039	Lock Washer φ10	3
3	10209022	Washer φ10	3
4	11206049	Moon gear	1
5	11279006	Outer arm-Front right	1
6	11206189	Middle arm - Front	1
7	10201149	Cup head bolt M8*12	2
8	11201049A	Inner arm - Front	1

5. Cylinders (10209014-02) explosive view

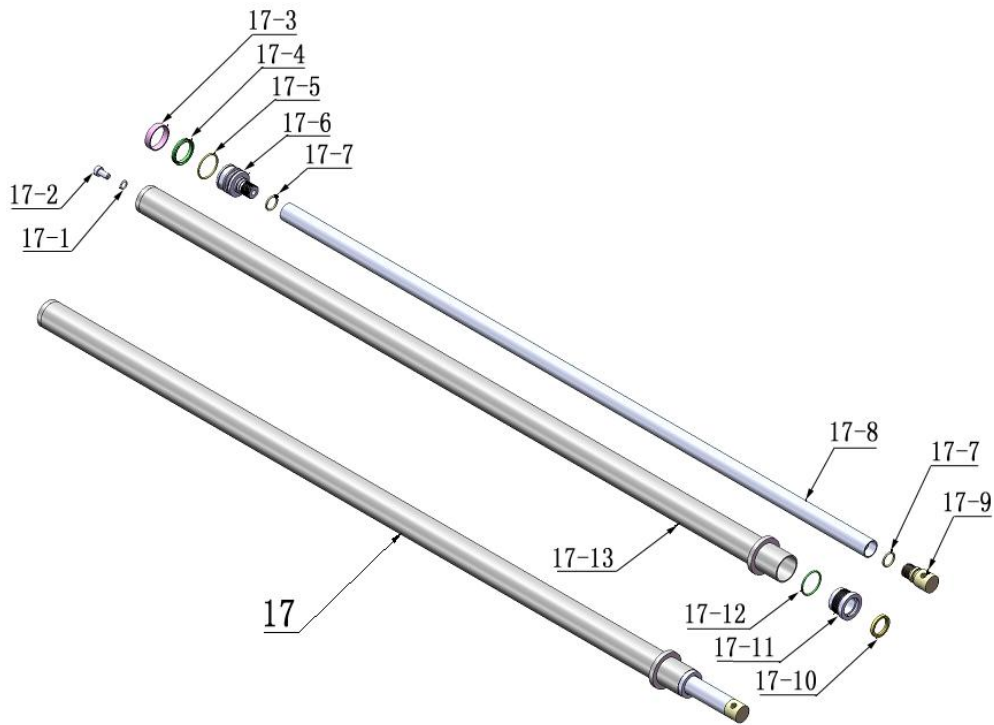


Fig. 46

Part list for cylinder

Item	Part#	Description	QTY.
17-1	10209069	O-ring	2
17-2	10209070	Bleeding Plug	2
17-3	10209071	Support Ring	2
17-4	10209072	Y-ring OSI	2
17-5	10209073	O-ring	2
17-6	11209074	Piston	2
17-7	10209075	O-Ring	4
17-8	11217076-01	Piston rod	2
17-9	11209077	Piston Rod Fitting	2
17-10	10209078	Dust wing	2
17-11	11209079	cover	2
17-12	10209080	O ring	2
17-13	11209081-01	Bore Weldment	2

6. POWER UNIT (81513001/81513002) explosive view

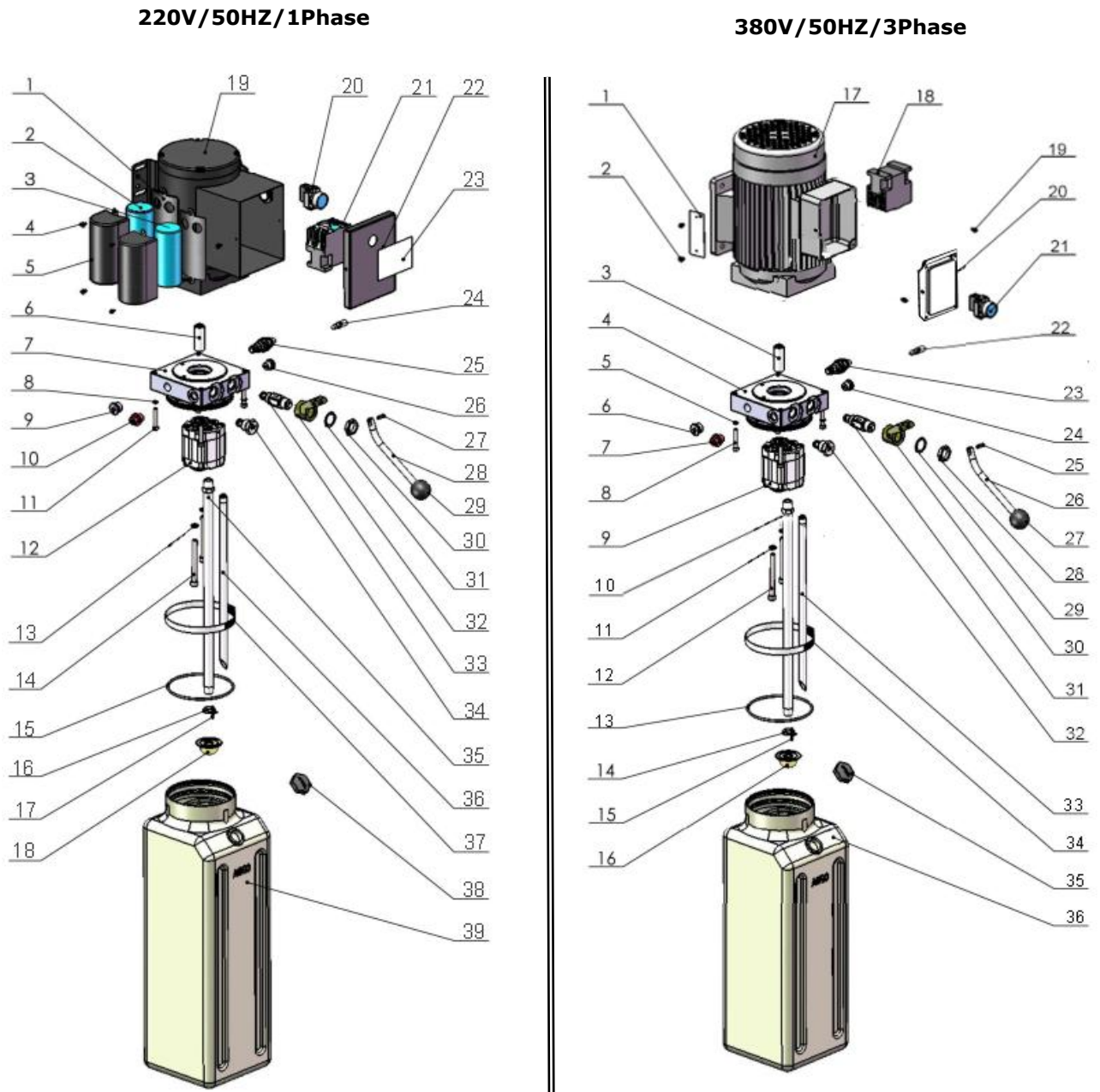


Fig. 47

PARTS LIST FOR MANUAL POWER UNIT

Parts for Manual Power Unit, 220V/50Hz/1 phase				
Item	Part#	Description	Qty.	Note
1	81400180	Rubber pad	2	
2	81400250	Starting capacitor	1	
3	81400200	Running capacitor	1	
4	10420148	Screw with washer	6	
5	81400066	Capacitor cover	2	
6	81400363	Motor connector	1	
7	80101013	Manifold block	1	
8	10209149	Washer	4	
9	81400276	Plug	1	
10	81400259	Red plug	1	
11	85090142	Hex bolt	4	
12	81400280	Gear pump	1	
13	10209034	washer	2	
14	81400295	Hex nut	2	
15	81400365	O-ring	1	
16	10209152	Tape	1	
17	85090167	Magnet	1	
18	81400290	Filter	1	
19	81400413	Motor	1	
20	10420070	Button switch	1	
21	41030055	AC contractor	1	
22	81400287	Motor box cover	1	
23	71111170	AMGO label	1	
24	81400560	Throttle valve	1	
25	81400266	Relief valve	1	
26	81400284	Plug	1	
27	10720118	Elastic pin	1	
28	81400451	Release handle	1	
29	10209020	Plastic ball	1	
30	81400421	Release valve nut	1	
31	81400422	Release handle	1	
32	81400449	valve seat(short)	1	
33	81400567	Release valve	1	
34	81400566	Check washer	1	
35	81400288	Oil suction hose	1	
36	81400289	Oil return hose	1	
37	81400364	Hose clamp	1	
38	81400263	Oil tank cap	1	
39	81400275	Oil tank	1	

Parts for Manual Power Unit 380V/50Hz/3 phase				
1	71150055	AMGO Name plate	1	
2	81400300	Cup Head Bolt	2	
3	81400363	Motor Connecting Shaft	1	
4	81400362	Manifold block	1	
5	10209149	Washer	4	
6	81400276	Iron plug	1	
7	81400259	Red rubber plug	1	
8	85090142	Hex bolt	4	
9	81400292	Gear pump	1	
10	81400288	Oli pipe	1	
11	10209034	Washer	2	
12	81400295	Socket bolt	2	
13	81400365	O ring	1	
14	10209152	Ties	1	
5	85090167	Magnet	1	
16	81400290	Filter	1	
17	81400439	Motor	1	
18	81400348	AC connector	1	
19	10420148	Cup head bolt	2	
20	80101022	Cover of Motor Terminal Box	1	
21	10420070	Switch	1	
22	81400560	Throttle valve	1	
23	81400266	Relief valve	1	
24	81400284	Plug	1	
25	81400452	Elastic pin	1	
26	81400451	Release handle	1	
27	10209020	Plastic ball	1	
28	81400421	Release valve nut	1	
29	81400422	Self-locking shim	1	
30	81400449	Valve seat(short)	1	
31	81400567	Release valve	1	
32	81400566	Check valve	1	
33	81400289	Oil return pipe	1	
34	81400364	Pipe ring	1	
35	81400263	Oil tank cap	1	
36	81400275	Oil tank	1	