

IV. EXPLODED VIEW

Model MR06

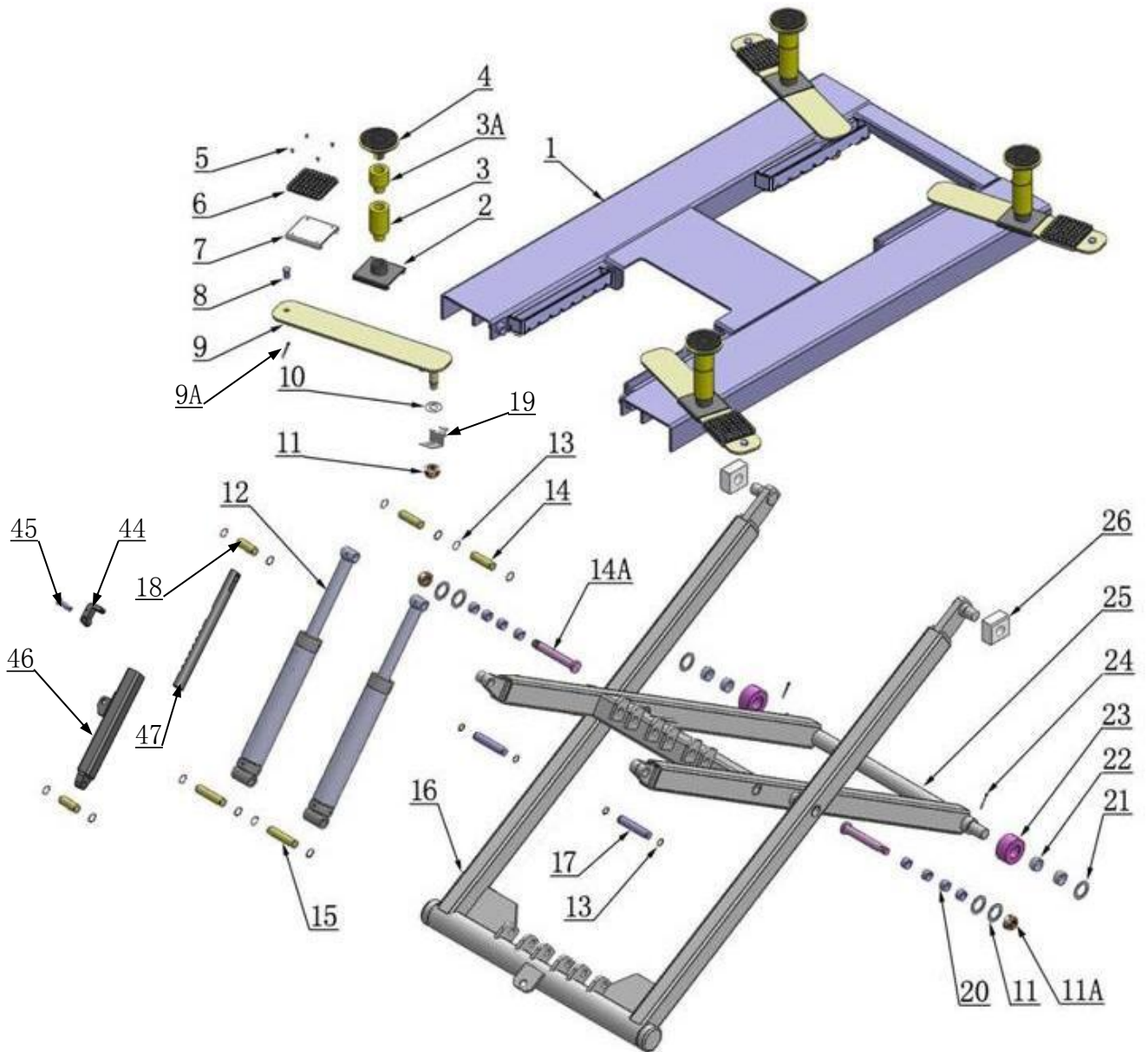


Fig. 13

PARTS LIST FOR MODEL MR06

Item	Part#	Description	QTY.	Note	
1	11640001	Platform	1		
2	11640002A	Stackable Adapter Bracket	4		
3	11209052B	Stackable Adapter (2.5")	4		
4	11209051B	Stackable Adapter (1.5")	4		
5	10209009	Cup Head Bolt	16		
6	10680004	Rubber Pad	4		
7	10640003	Supporting pad	4		
8	11640023A	Limit pin	4		
9	11640004	Supporting arm	4		
10	10640005	Washer	10		
11	10640109	Washer	4		
11A	10620022	Self-locking Nut	6		
12	10640116	Cylinder	2		
13	10206032	Snap Ring	12		
14	11640057	Pin for Cylinder Connecting	2		
14A	11640012	Pin	2		
15	11640006A	Pin for Cylinder	2		
16	11640017B	Outer Scissor	1		
17	11640009	Inner Scissor Pin	2		
18	11640130	Safety Bar Set	2		
19	19A	11640134	Slide limit block	4	
	19B	11640135	Slide stop	4	
	19C	11640136	Safety Pin	4	
	19D	10640127	Spring	8	
20	10203004A	Bronze Bush	8		
21	10420023A	Washer	2		
22	10420132A	Bronze Bush	4		
23	11640022	Roller	2		
24	10630107	Split Pin	10		
25	11640016B	Inner Scissor	1		
26	10610003A	Slider	2		
27	10209060	Fitting 1/4JIC(M)*1/4JIC(M)*1/4NPT(M)	1		
28	10640114-01	Oil Hose 1/4"*215	1		
29	10420097	90° Fitting 1/4JIC(M)*1/4NPT(M)	1		
30	81513006	Power Unit 220V	1		
	81513019	Power Unit 110V	1		
31	10209003	Hex Bolt	4		
32	10209005	Self Locking Nut	4		
33	10640138	Power Unit Stand	1		
34	10206006	Washer ϕ 12	2		

Item	Part#	Description	QTY.	Note
35	10201005	Split Pin	2	
36	1003275021	White Roller	2	
37	10209060	Powr Unit 90 ⁰ Fitting	1	
38	1003015002	Oil Hose Assy (include spring)	1	
39	10201046A	Rubber Pad Assy.	4	
40	10420138	M6*16 Socket Bolt	4	
41	10209134	Rubber Pad	4	
42	11680030C	Support Frame	4	
43	10640500A	Part Box	1	
44	11640150	Safety Guard	1	
45	11640154	Safety Guard Pin ϕ 22*74	1	
46	11640153	Self Locking Support Tube	1	
47	11640699	Self Locking Support Shaft ϕ 45*493	1	
48	10640141	Brake Handle Assy (with cable)	1	
48A	10640115	Brake handle	1	
48B	10640156	Safety Cable ϕ 1.5*4345mm	1	
48C	10640121	Brake wire pipe ϕ 5* ϕ 2*4060mm	1	
49	10640126	Brake handle rubber cover	1	
50	10640133	Safety Cable ϕ 2.5*810mm	4	

1. CYLINDER (10640116)

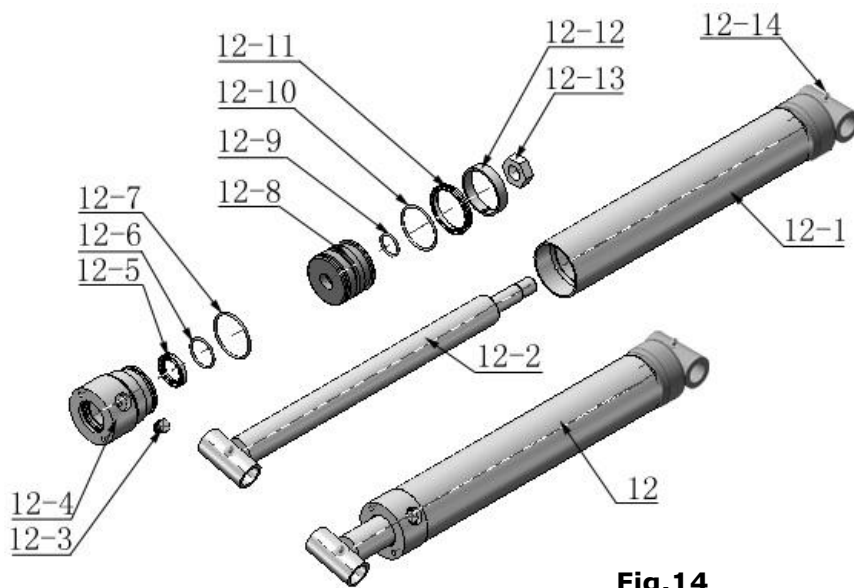


Fig.14

PARTS FOR HYDRAULIC CYLINDER

Item	Part#	Description	QTY.	Note
12-1	11640657	Bore Weldment	2	
12-2	11640031A	Piston Rod	2	
12-3	10201034	Bleeding Plug	2	
12-4	11203083	Head Cap	2	
12-5	10209078	Dust Ring	2	
12-6	10201032	O - Ring	2	
12-7	10203084	O - Ring	2	
12-8	11203079	Piston	2	
12-9	10206069	O-Ring	2	
12-10	10203082	O-Ring	2	
12-11	10410087	Y-Ring	2	
12-12	10410086	Support Ring	2	
12-13	10206071	Nut	2	
12-14	10620064	Greasing Fitting	4	

2. MANUAL POWER UNIT (81513006)

220V/50HZ/1 phase

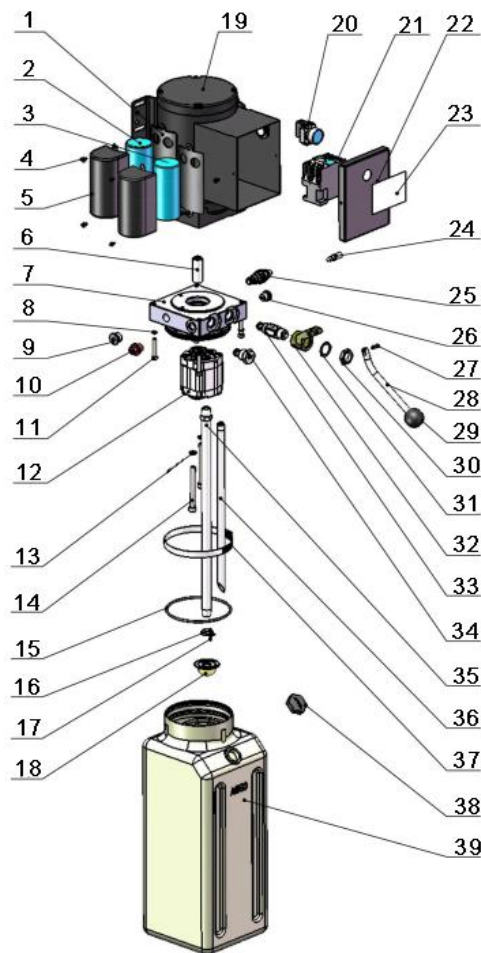


Fig.15

Parts for Manual power unit

Item	Part#	Description	QTY.	Note
1	81400180	Rubber pad	2	
2	81400250	Start capacitor	1	
3	81400200	Run capacitor	1	
4	10420148	Cup head bolt with washer	4	
5	81400066	Cover for capacitor	2	
6	81400363	Motor connecting shaft	1	
7	80101013	Manifold block	1	
8	10209149	Lock washer	4	
9	81400276	Iron plug	1	
10	81400259	Red rubber plug	1	
11	85090142	Socket bolt	4	
12	81400280	Gear pump	1	
13	10209034	Washer	2	

Item	Part#	Description	QTY.	Note
14	81400295	Socket bolt	2	
15	81400365	O-ring	1	
16	10209152	Belt	1	
17	85090167	Magnet	1	
18	81400290	Filter mesh	1	
19	81400413	Motor	1	
20	10420070	Button switch	1	
21	41030055	AC contactor	1	
22	81400287	Cover of motor terminal box	1	
23	71111216	AMGO label	1	
24	81400560	Throttle valve	1	
25	81400266	Release valve	1	
26	81400284	Iron plug	1	
27	10720118	Hair pin	1	
28	81400451	Handle for release valve	1	
29	10209020	Plastic ball for arm lock	1	
30	81400421	Release valve nut	1	
31	81400422	Release valve shim	1	
32	81400449	Valve seat(Low)	1	
33	81400567	Release valve	1	
34	81400566	Check valve	1	
35	81400375	Oil suction pipe	1	
36	81400376	Oil return pipe	1	
37	81400364	Hose clamp (stainless steel)	1	
38	81400263	Oil tank cap	1	
39	81400320	Oil tank	1	

Manual Power unit 220V 50Hz single phase (See.Fig16)

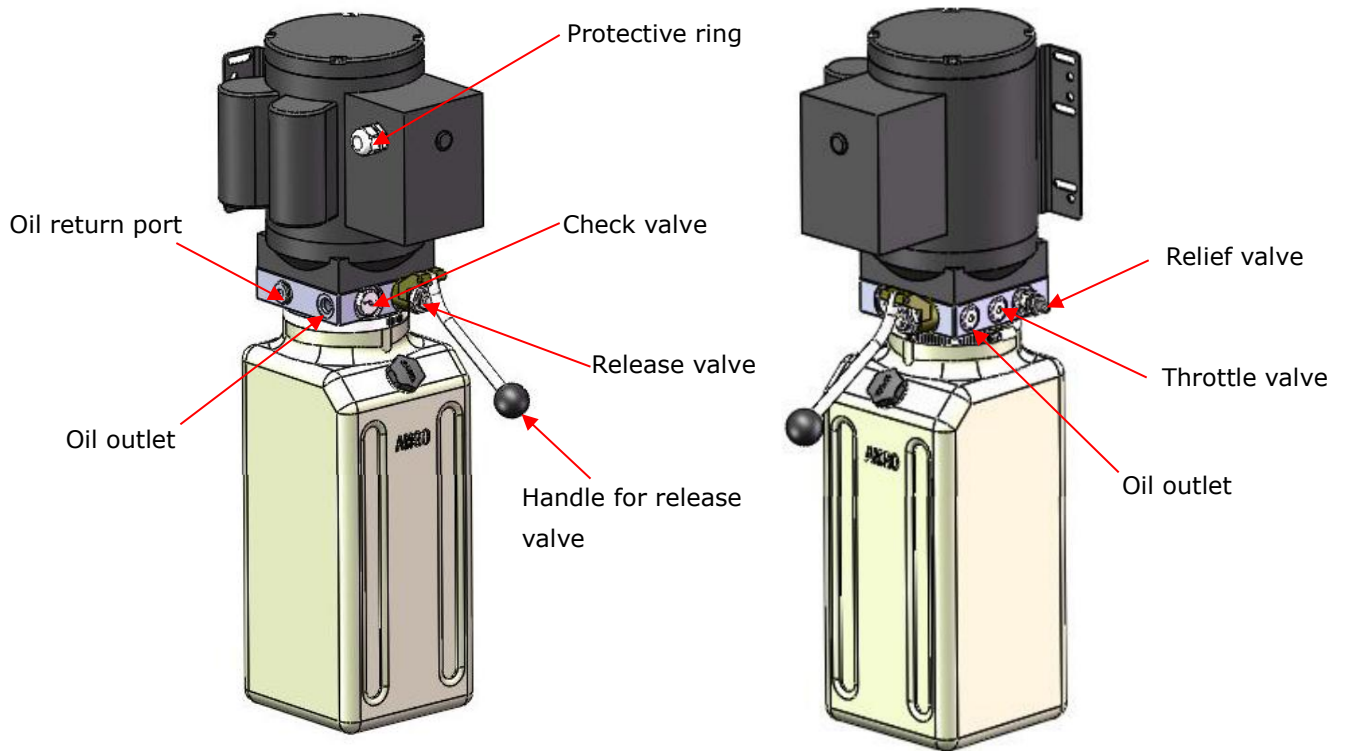


Fig.16