

# IV. EXPLODED VIEW

## 409/410/412

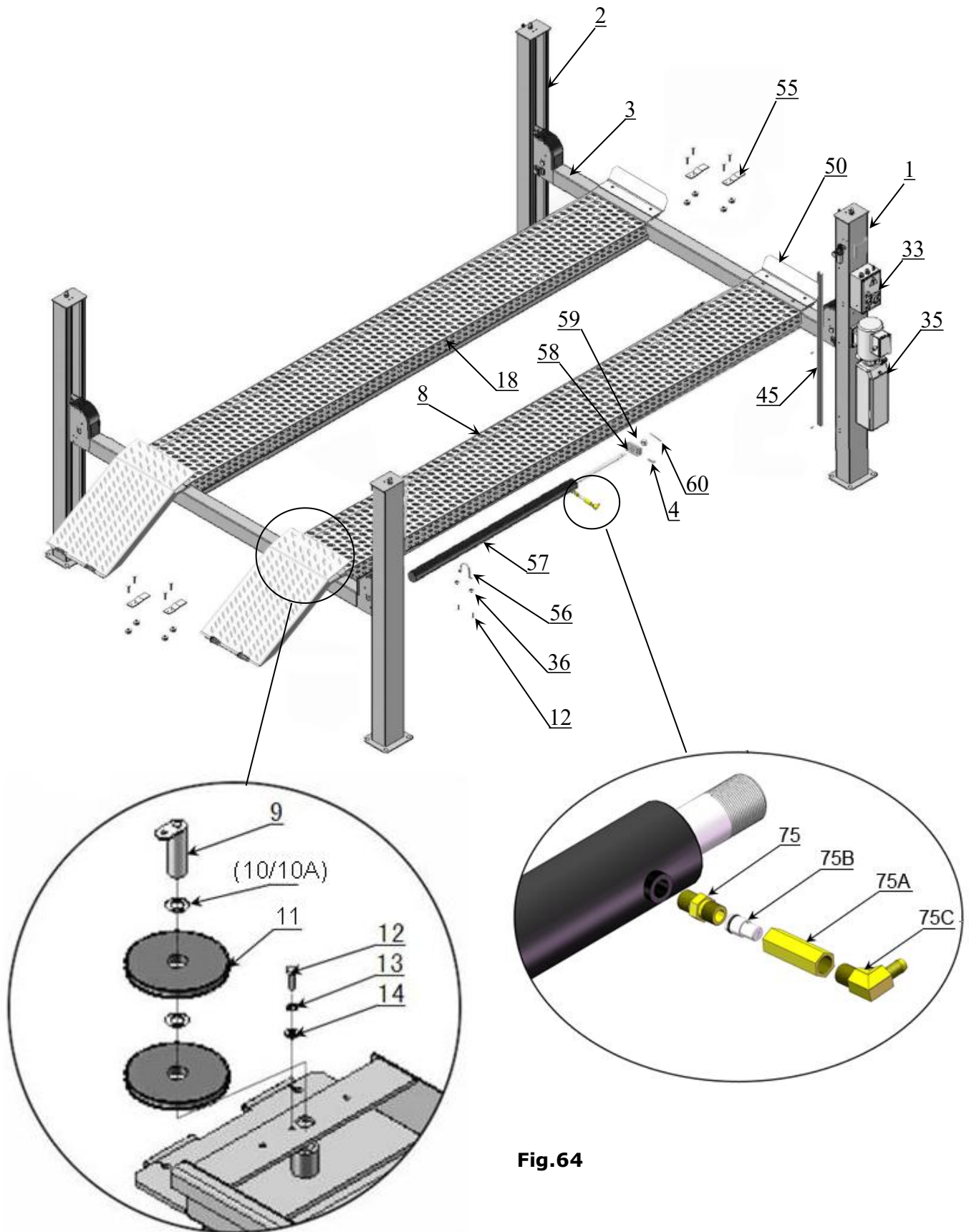


Fig.64

# 409A/410A/412A/412AX

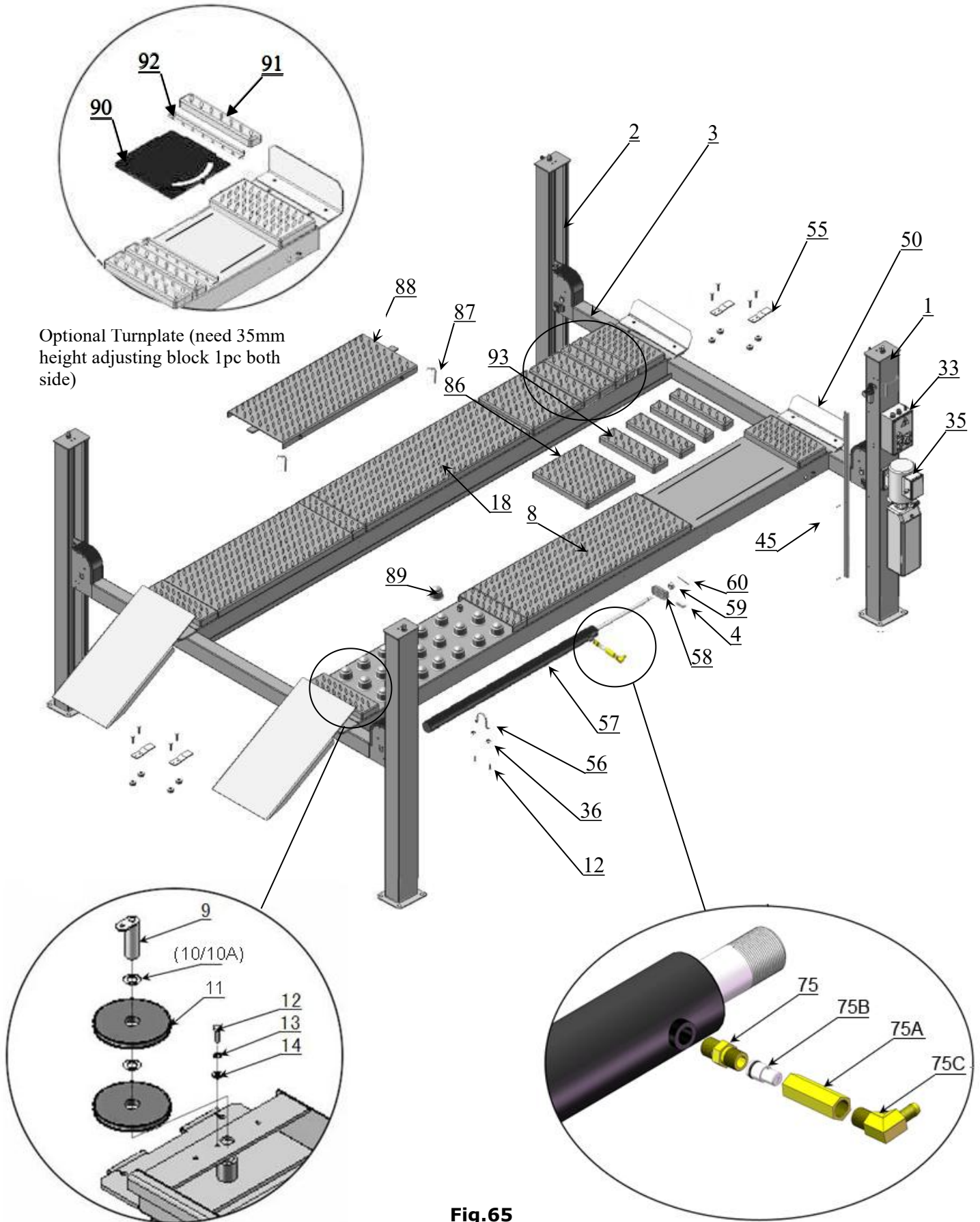


Fig.65

Item	Part No.	Description	409	409A	410	410A	412	412A	412AX
1	11420011A	Power-side column	1	1	1	1	1	1	1
2	11420002	Off-side column	3	3	3	3	3	3	3
3	10420252	Cross Beam Assy	2	2	0	0	2	2	0
	10480039		0	0	2	2	0	0	2
4	10420239	Limit Slide Block	1	1	1	1	1	1	1
5	10209059	Anchor Bolt 3/4*5-1/2	16	16	16	16	16	16	16
6	11410022	Safety Ladder	4	4	4	4	4	4	4
7	10420175A	Hex Nut M20	16	16	16	16	16	16	16
8	11420218-01	Power-side platform	1	0	0	0	0	0	0
	11430003-01		0	1	0	0	0	0	0
	11490001-01		0	0	1	0	0	0	0
	11496001-01		0	0	0	1	0	0	0
	11440038-01		0	0	0	0	1	0	0
	11440002A-01		0	0	0	0	0	1	1
9	11420022A	Pulley Shaft Weldment	2	2	2	2	0	0	0
	11440089		0	0	0	0	2	2	2
10	10420023A	Washer $\phi 36 * \phi 65 * 2.8$	12	12	12	12	8	8	8
10A	10476024	Pulley washer	0	0	0	0	4	4	4
11	11420024B	Pulley	6	6	6	6	4	4	4
	11476636		0	0	0	0	6	6	6
11A	10420132A	Bronze Bush for Pulley	6	6	6	6	4	4	4
	10476025	Bronze Bush	0	0	0	0	6	6	6
12	10209043	Hex Bolt M8*20	12	12	12	12	12	12	12
13	10209034	Lock Washer $\phi 8$	2	2	2	2	2	2	2
14	10420144	Washer $\phi 8 * \phi 25 * 3$	2	2	2	2	2	2	2
15	10420030	Hex Bolt M16*40	12	12	12	12	12	12	12
16	10420137	$\phi 16$ Lock Washer	12	12	12	12	12	12	12
17	10420029	$\phi 16$ Washer	12	12	12	12	12	12	12
18	11420219-01	Off side platform	1	0	0	0	0	0	0
	11430001-01		0	1	0	0	0	0	0
	11490002-01		0	0	1	0	0	0	0
	11496002-01		0	0	0	1	0	0	0
	11440039-01		0	0	0	0	1	0	0
	11440001-01		0	0	0	0	0	1	1
19	10600015	Socket Bolt M10*120	4	4	4	4	4	4	4
20	10420145	Oil Water Separator	1	1	1	1	1	1	1
21	10420146	Straight Fitting for Air Line	1	1	1	1	1	1	1
22	10209009	Cup Head Bolt M6*8	6	6	6	6	6	6	6
23	10420076	90° Fitting for Air Line	1	1	1	1	1	1	1
24	10201034	Bleeding Plug	1	1	1	1	1	1	1
25	10420147	Straight Fitting for Air Line	1	1	1	1	1	1	1
26	10420077	Air Solenoid Valve	1	1	1	1	1	1	1
27	10420148	Washer $\phi 4$	2	2	2	2	2	2	2
28	10420149	Cup Head Bolt M4*25	2	2	2	2	2	2	2
29	11420150	Cover of Air Solenoid Valve	1	1	1	1	1	1	1
30	10420045	Washer $\phi 6$	28	28	28	28	28	28	28
31	10420151	Straight Fitting for Air Line	1	1	1	1	1	1	1
32	10420018	Self Locking Nut M6	6	6	6	6	6	6	6
33	10420281	Control Box (Single Phase)	1	1	1	1	1	1	1
	10420016	Control Box (3 Phase)	1	1	1	1	1	1	1
34	10420153	Cup Head Bolt M6*20	9	9	9	9	9	9	9
35	81523001	Electrical power unit 220V	1	1	1	1	1	1	1
	81523002	Electrical power unit 380V	1	1	1	1	1	1	1
36	10209005	Self Locking Nut M8	14	14	14	14	14	14	14

Item	Part No.	Description	409	409A	410	410A	412	412A	412AX
37	10209004	Rubber Ring φ8*20*3	8	8	8	8	8	8	8
38	10209003	Hex Bolt M8*25	4	4	4	4	4	4	4
39	10420152	φ5 washer	18	18	18	18	18	18	18
40	10206011	Cup Head Bolt M5*12	18	18	18	18	18	18	18
41	10420251	Cross beam limit switch assy.	2	2	2	2	2	2	2
42	11420010A	Fixing plate for limit switch	1	1	1	1	1	1	1
43	10420225	Top limit switch assy.	1	1	1	1	1	1	1
44	11420203	Fixing Plate for Limit Switch	1	1	1	1	1	1	1
45	11420204	Wire protective cover	1	1	1	1	1	1	1
46	10420156	Protective Ring φ24	1	1	1	1	1	1	1
47	11420004	Pin for drive-in ramp	2	2	2	2	2	2	2
48	10420005	Socket set screw M5*8	4	4	4	4	4	4	4
49	11420003	Drive-in Ramp	2	0	2	0	2	0	0
	11430002		0	2	0	2	0	2	2
49A	11610667	Roller for drive-in ramp	4	4	4	4	4	4	4
49B	11620043	Rolling Pin for drive-in ramp	4	4	4	4	4	4	4
49C	10209010	Snap Ring φ10	8	8	8	8	8	8	8
50	11420031-1	Tire Stop Plate	2	2	2	2	2	2	2
51	10420226	Low Limit Switch Assy.	1	1	1	1	1	1	1
52	10209066	Hex Nut M16	4	4	4	4	4	4	4
55	11420007	Platform Lock Plate	4	4	4	4	4	4	4
56	11410090	Cylinder Fixing ring	1	1	1	1	0	0	0
	11420012A		0	0	0	0	1	1	1
57	10410081	Cylinder	1	1	1	1	0	0	0
	10420012		0	0	0	0	1	1	1
58	11420626	Cable connecting plate	1	1	1	1	0	0	0
	11430622		0	0	0	0	1	1	1
59	10420014	Hex Nut M27	1	1	1	1	1	1	1
60	10201005	Split Pin φ4*50	1	1	1	1	1	1	1
60A	10209056	Self Locking Nut M10	4	4	4	4	4	4	4
60B	10420217	Cable Limit Pin	4	4	4	4	4	4	4
61	10420009A	Protecting Plastic Pipe	1	1	1	1	1	1	1
62	10420009B	Protecting Plastic Pipe	1	1	1	1	1	1	1
63	10420016B	Protecting Plastic Pipe	1	1	1	1	1	1	1
64	10420249	Wires (A)	1	1	1	1	1	1	1
65	10420250	Wires (B)	1	1	0	0	0	0	0
	10440043		0	0	1	1	1	1	1
66	10420168	White Winding	1	1	1	1	1	1	1
67	10420016A	Wires 4*2.5 <sup>2</sup> *800mm	1	1	1	1	1	1	1
68	10420205	Wires 2*1 <sup>2</sup> *750mm	2	2	2	2	2	2	2
69	10420500	Parts Box	1	0	0	0	0	0	0
	10430500		0	1	0	0	0	0	0
	10490500		0	0	1	0	0	0	0
	10496500		0	0	0	1	0	0	0
	10440500		0	0	0	0	1	0	0
	10450500		0	0	0	0	0	1	1
70	10420273	① Cable L=3250mm	1	1	0	0	0	0	0
	10490005	① Cable L=3725mm	0	0	1	1	0	0	0
	10440078	① Cable L=3775mm	0	0	0	0	1	1	0
	10450005	① Cable L=3850mm	0	0	0	0	0	0	1
71	10420274	② Cable L=9250mm	1	1	0	0	0	0	0
	10490006	② Cable L=10125mm	0	0	1	1	0	0	0
	10440081	② Cable L=10325mm	0	0	0	0	1	1	0
	10450008	② Cable L=10400mm	0	0	0	0	0	0	1

Item	Part No.	Description	409	409A	410	410A	412	412A	412AX
72	10420272	③ Cable L=4850mm	1	1	0	0	0	0	0
	10490004	③ Cable L=5325mm	0	0	1	1	0	0	0
	10440079	③ Cable L=5380mm	0	0	0	0	1	1	0
	10450006	③ Cable L=5455mm	0	0	0	0	0	0	1
73	10420271	④ Cable L=7645mm	1	1	0	0	0	0	0
	10490003	④ Cable L=8520mm	0	0	1	1	0	0	0
	10440080	④ Cable L=8710mm	0	0	0	0	1	1	0
	10450007	④ Cable L=8785mm	0	0	0	0	0	0	1
74	10420166	90° fitting	1	1	1	1	1	1	1
75	10420243	Straight Fitting	1	1	1	1	1	1	1
75A	10420245	Straight Fitting	1	1	1	1	1	1	1
75B	10209119	Compensation Valve	1	1	1	1	0	0	0
	10420247		0	0	0	0	1	1	1
75C	10201020	90° Fitting	1	1	1	1	1	1	1
76	10420246	Oil Hose 2065mm	1	1	0	0	0	0	0
	10490007	Oil Hose 2450mm	0	0	1	1	0	0	0
	10440042	Oil Hose 2550mm	0	0	0	0	1	1	1
77	10420120	Extended Straight Fitting (with	1	1	1	1	1	1	1
78	10207026	Oil Hose L=1520mm	1	1	1	1	1	1	1
79	10209060	90° Fitting for Power Unit	1	1	1	1	1	1	1
80	10420095	Straight Fitting	1	1	1	1	1	1	1
81	10420124	T-Fitting For Air Line	2	2	2	2	2	2	2
82	10420242	T Fitting	1	1	1	1	1	1	1
83	10420241	Straight Fitting	1	1	1	1	1	1	1
84	10420195	Oil Return Hose	1	1	1	1	0	0	0
	10420195A	Oil Return Hose	0	0	0	0	1	1	1
84A	10420280	Air Line φ6*φ4*8520mm	1	1	1	1	0	0	0
	420131B	Air line φ6*φ4*9020mm	0	0	0	0	1	1	1
85	10420167	Air Line φ8*φ6*180mm	1	1	1	1	1	1	1
86	11430004-01	Cover for turnplate	0	2	0	2	0	2	2
87	11520037	Pin	0	4	0	4	0	4	4
88	11430007	Slip Plate	0	2	0	0	0	0	0
	11480028		0	0	0	2	0	0	0
	11450003		0	0	0	0	0	2	2
89	10420157	Steel Ball Seat	0	42	0	54	0	60	60
90	10420158	Turnplate	0	2	0	2	0	2	2
91	11480033-01	Turnplate adjusting Block	0	4	0	4	0	4	4
92	11480045-01	Turnplate adjusting Block 1	0	4	0	4	0	4	4
93	11440082-01	Turnplate adjusting Block 2	0	4	0	4	0	4	4
94	1062006	Shim (2mm)	20	20	20	20	20	20	20
	10201090	Shim (1mm)	20	20	20	20	20	20	20
95	11420007	Platform Lock Plate	4	4	4	4	4	4	4
96	10530042	Bronze Bush φ41.3*φ35.1*28	2	2	2	2	0	0	0
97	11045330223	Dual groove pulley	2	2	2	2	0	0	0

#### 4.1 CYLINDERS(10410081/10420012)

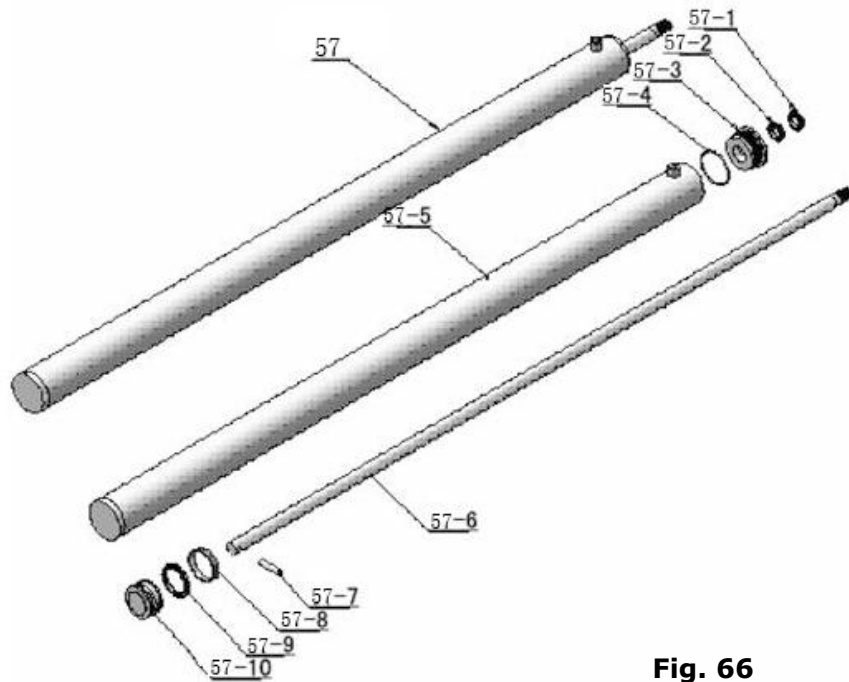


Fig. 66

Item	Part#	Description	Qty.	
			409, 409A 410, 410A	412, 412A, 412AX
57-1	10420059	Dust Ring	1	1
57-2	10420060	Y- Ring	1	1
57-3	11410082	Head Cap	1	0
	11420061		0	1
57-4	10410083	O- Ring	1	0
	10420062		0	1
57-5	11410084	Bore Weldment	1	0
	11420063		0	1
57-6	11420064	Piston Rod	1	1
57-7	11410085	Pin	1	0
	11420065		0	1
57-8	10410086	Support Ring	1	0
	10420066		0	1
57-9	10410087	Y- Ring	1	0
	10420067		0	1
57-10	11410088	Piston	1	0
	11420068		0	1

## 4.2 CROSS BEAM (10420252/10480039)

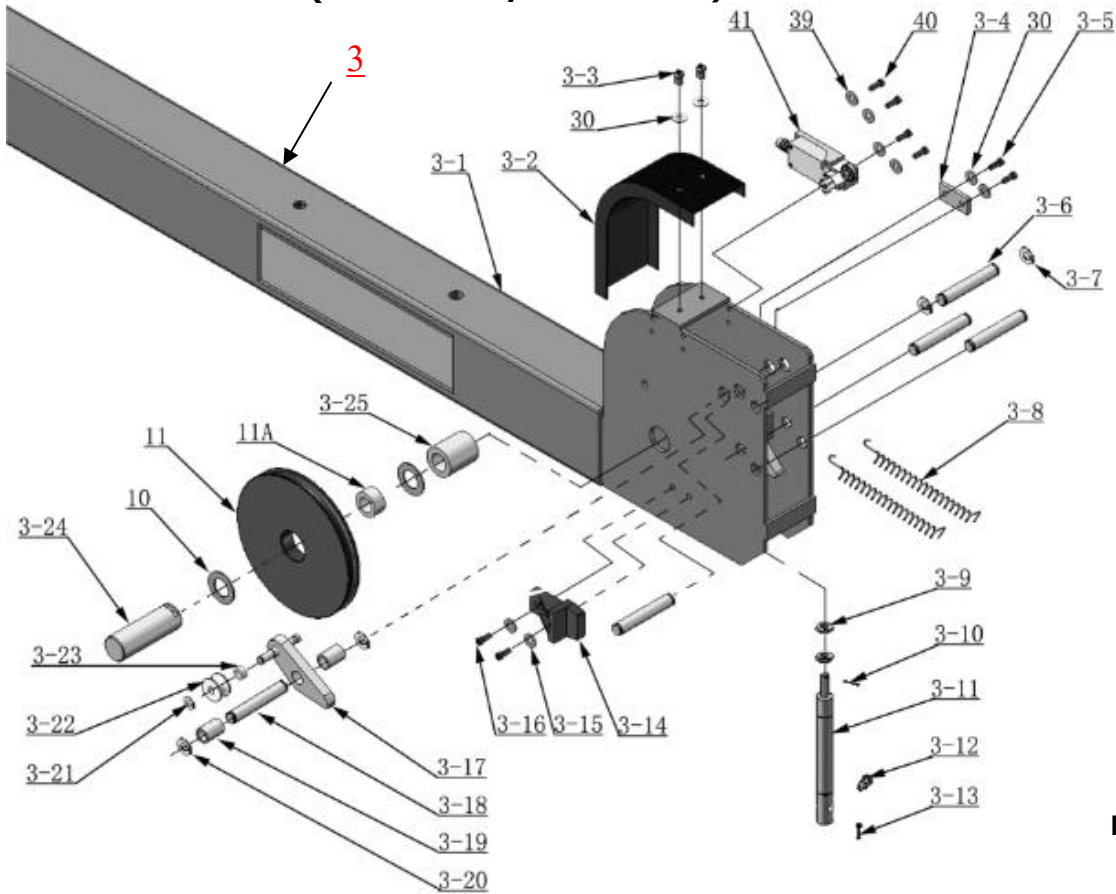


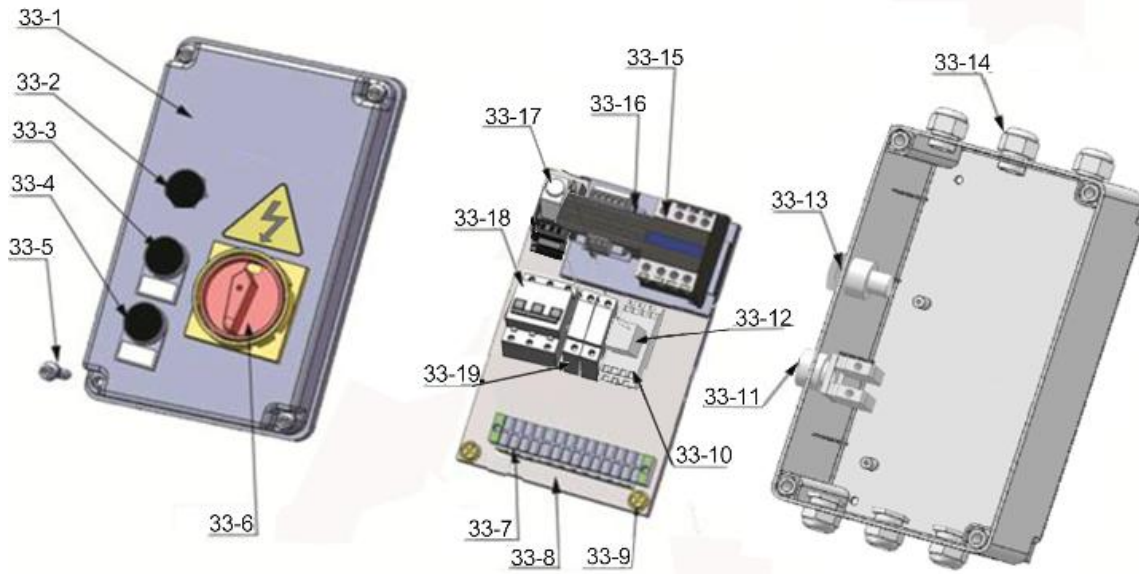
Fig. 67

Item	Part#	Description	Qty.
3-1	10420252	Cross Beam Assy. (409/409A/412/412A)	2
	10480039	Cross Beam Assy. (410/410A/412AX)	2
3-2	10420051B	Plastic cover for Crossbeam	4
3-3	10209009	Cup Head Bolt M6*8	8
3-4	11420044	Limit Slider Block	4
3-5	10420138	Socket Bolt M6*16	8
3-6	11420038	φ16 Pin	12
3-7	10420037	φ16 Snap Ping	24
3-8	10420033	Spring	8
3-9	10209021	Hex Nut M10	8
3-10	10420049	Split Pin φ2*16	4
3-11	10420048	Air Cylinder	4
3-12	10420047	Air Cylinder Fitting	4
3-13	10420046	Split Pin φ4*30	8
3-14	10420042	Slider	8
3-15	10209033	Washer φ8	24
3-16	10420043	Socket Bolt M8*20	16
3-17	11420175	Safety Block 2 (Left/Right)	Each 2
3-18	11420171	Pin	8
3-19	11420172	Pin Bush	8
3-20	10206019	Snap Ring	16
3-21	10209010	Snap Ring	4
3-22	10420035	Tension Pulley	4
3-23	11420174	Spacer	4
3-24	11420041A	Pulley Pin	4
3-25	11420040A	Pulley Bush	4

### 4.3 CONTROL BOX

**10420016 3 Phase**

**10420281 Single Phase**



**Fig. 68**

Item	Part#	Description	Qty.
33-1	10420069A	Cover Of Control Box	1
33-2	10420071	Button <b>UP</b>	1
33-3	10420070	Button <b>Lock</b>	1
33-4	10420072	Button <b>Down</b>	1
33-5	10420139	Screw	4
33-6	41010217	Power Switch (QSI)	1
33-7	10420075A	Terminal Group	1
33-8	10420133A	Panel for Installing Element	1
33-9	10420073	Cup Head Bolt	4
33-10	10420135	Thermal Relay Connectors	2
33-11	10420142	Button	1
33-12	10420141	Intermediate Relay (KA)	1
33-13	10420143	Alarm Lamp (H)	1
33-14	10420088	Fitting For White Wire Cable	6
33-15	10420084A	24V AC Contactor (KM)	1
33-16	10580114	Transformer	1
33-17	10420083	Timer Relay (KT)	1
33-18	10202046	Fuse 2P (1 Phase only)	1
	10202047	Fuse 3P (3 Phase only)	1
33-19	10202049	Fuse 1P	2

#### 4.4 Power unit (81523001/81523002)

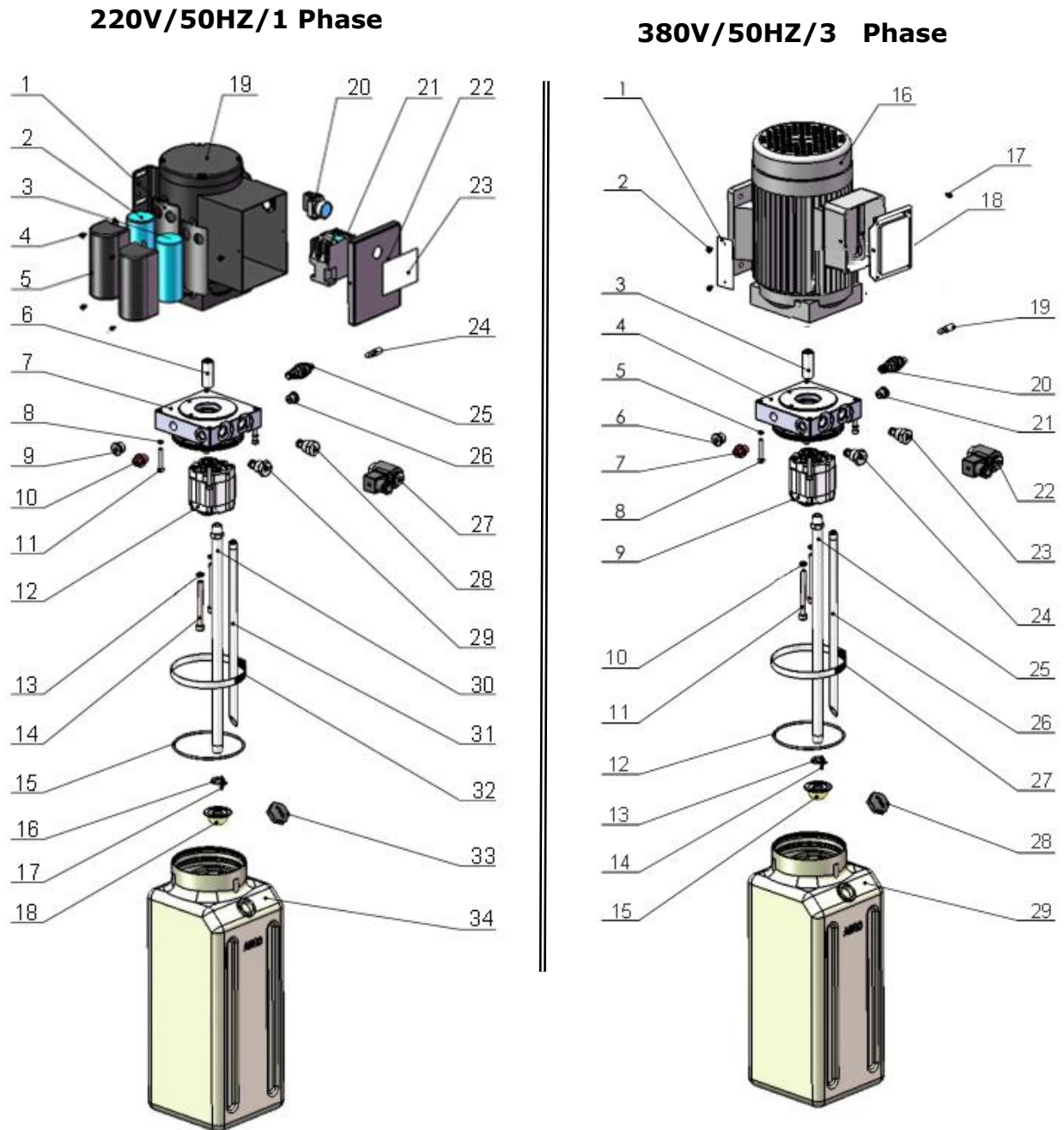


Fig. 69

<b>Parts For Electric Power Unit 220V/50Hz/1 Phase</b>				
<b>Item</b>	<b>Part No.</b>	<b>Description</b>	<b>QTY.</b>	<b>Note</b>
1	81400180	Rubber Pad	2	
2	81400250	Star Capacitor	1	
3	81400200	Run Capacitor	1	
4	10420148	Cup Head Bolt with washer	4	
5	81400066	Cover for capacitor	2	
6	81400363	Motor connect shaft	1	
7	81400362	Valve Body	1	
8	10209149	Lock washer $\phi 6$	4	
9	81400276	Iron Plug	1	
10	81400259	Rubber Plug	1	
11	85090142	Socket Plug	4	
12	81400292	Gear Pump	1	
13	10209034	Lock Washer $\phi 8$	2	
14	81400295	Socket Bolt	2	
15	81400365	O ring	1	
16	10209152	Tie	1	
17	85090167	Magnet	1	
18	81400290	Filter	1	
19	81400590	Motor	1	
20	81400208	Cover of Motor Terminal Box	1	
21	71111190	AMGO Label	1	
22	81400560	Throttle Valve	1	
23	81400266	Relief valve	1	
24	81400284	Inner Hex Iron Plug	1	
25	81400420	Hydraulic Solenoid Valve Coil	1	
26	81400423	Release Valve	1	
27	81400566	Check Valve	1	
28	81400288	Oil Inlet Pipe	1	
29	81400289	Oil Return Pipe	1	
30	81400364	Clamp	1	
31	81400263	Filler Cap	1	
32	81400275	Oil tank	1	

<b>Parts For Electric Power Unit 380V/50Hz/3 Phase</b>				
1	71150055	AMGO Label	1	
1	71150055	AMGO Label	1	
2	81400300	Cup Head Bolt	2	
3	81400363	Motor Connecting Shaft	1	
4	81400362	Manifold Block	1	
5	10209149	Spring Washer	4	
6	81400276	Inner Hex Iron Plug	1	
7	81400259	Red Plastic Plug	1	
8	85090142	Socket Bolt	4	
9	81400292	Gear Pump	1	
10	10209034	Spring Washer	2	
11	81400295	Socket Bolt	2	
12	81400365	O-Ring	1	
13	10209152	Ties	1	
14	85090167	Magnet	1	
15	81400290	Filter	1	
16	81400286	Motor	1	
17	10420148	Cup Head Bolt with Washer	2	
18	81400208	Cover of Motor Terminal Box	1	
19	81400560	Throttle Valve	1	
20	81400266	Relief valve	1	
21	81400284	Inner Hex Iron Plug	1	
22	81400420	Hydraulic Solenoid Valve Coil	1	
23	81400423	Release Valve	1	
24	81400566	Check Valve	1	
25	81400288	Oil Inlet Pipe	1	
26	81400289	Oil Return Pipe	1	
27	81400364	Clamp	1	
28	81400263	Filler Cap	1	
29	81400275	Oil tank	1	