

Exploded Drawing

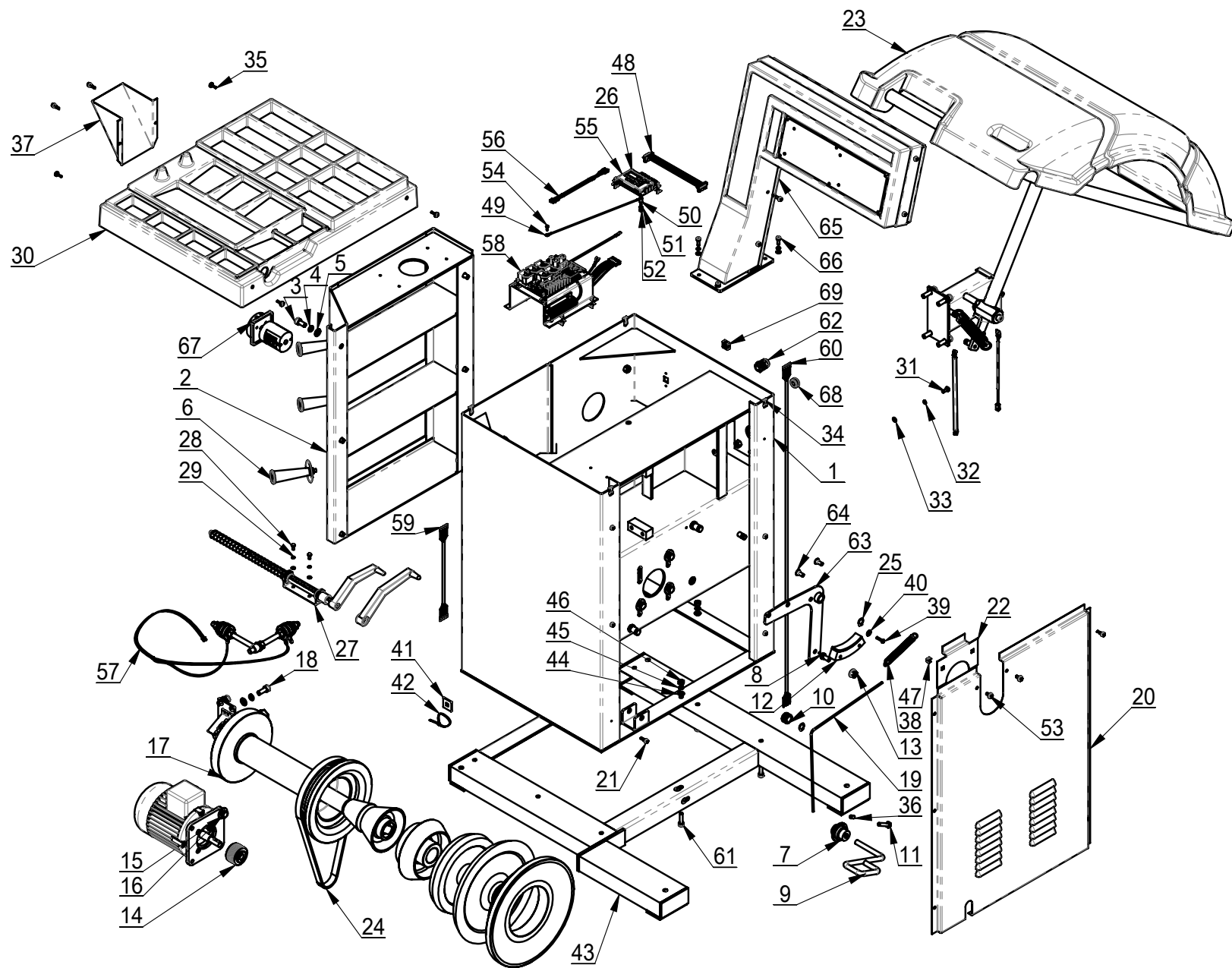
W69B



W69

REVISION 15A-01

B-41-100000

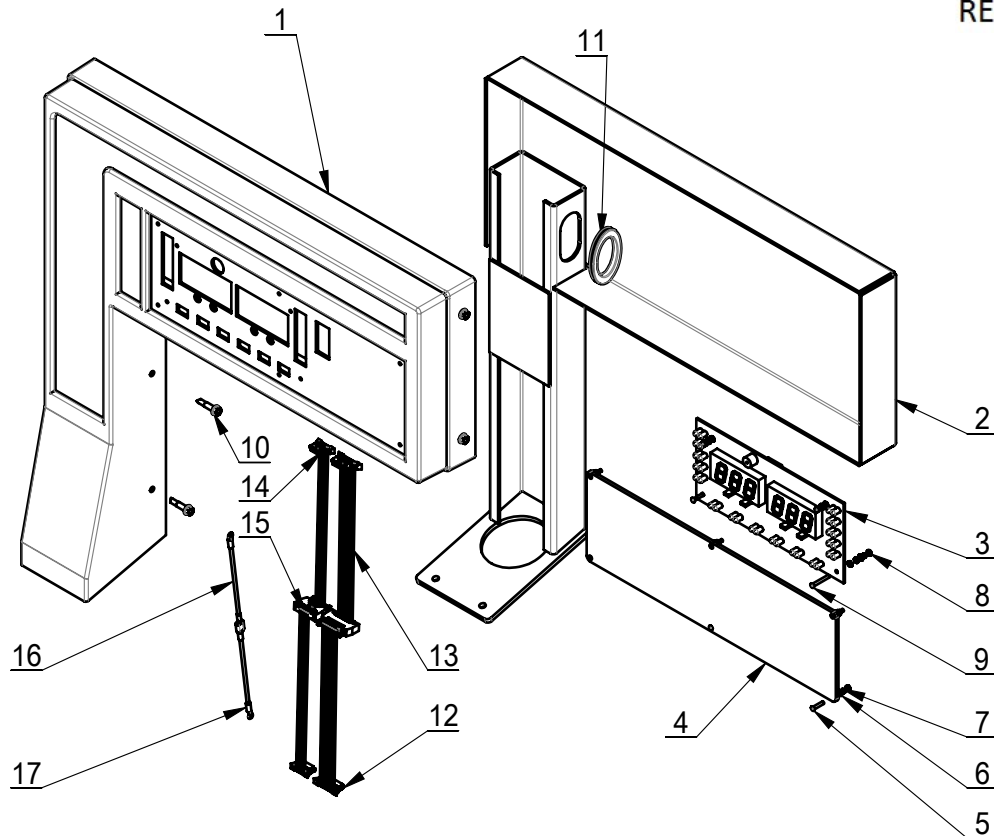


W69

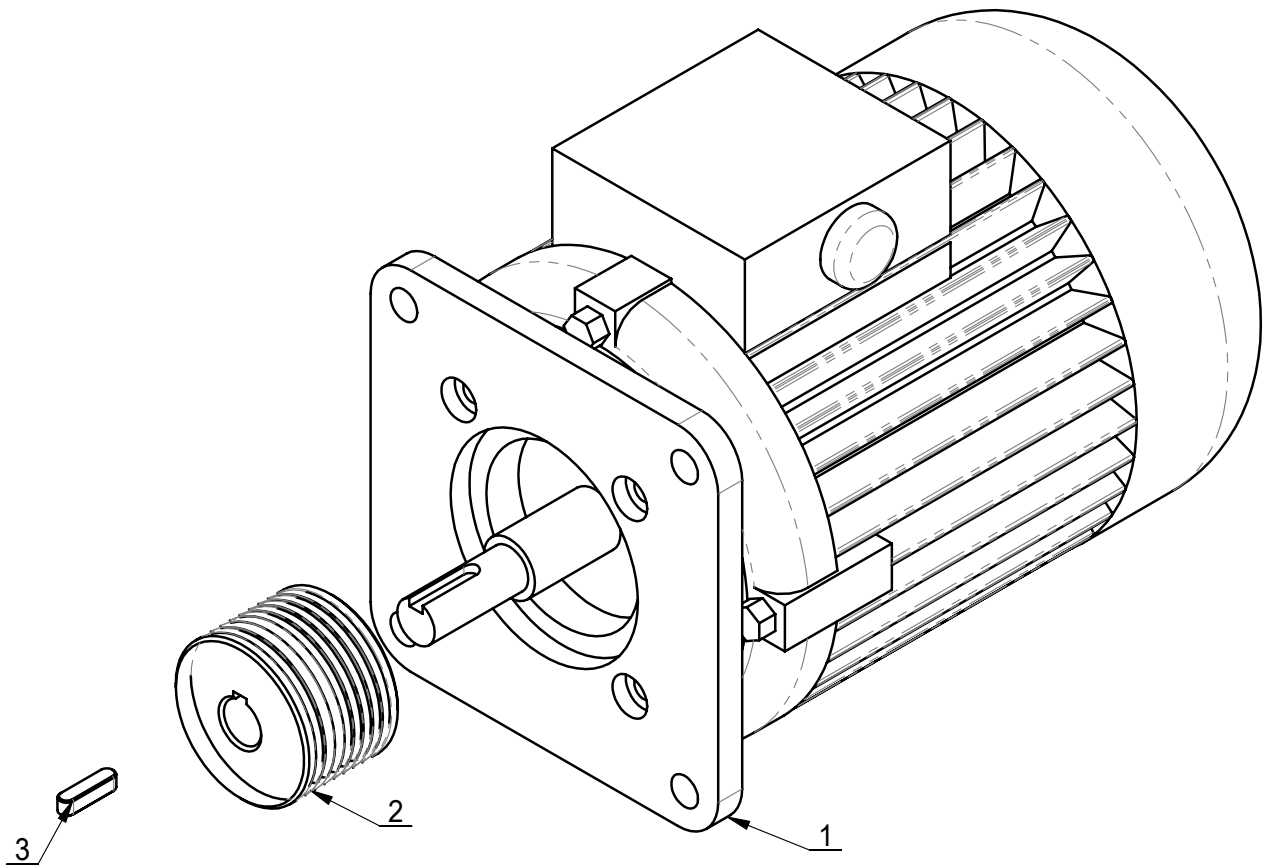
ITEM	PART.No	DESCRIPTION.	QT.Y
1	B-61-1100000	BODY	1
2	B-61-1200000	TOOL BRACKET WELDING	1
3	GB70.1-M10×20	INNER HEXA CYLINDRICAL SCREW	6
4	GB93-10	STANDARD SPRING WASHER	14
5	GB95-10	FLAT WASHER	11
6	TB-S-0100009	CONE HANG HANDLE	3
7	B-61-1000007	ROPE GUIDING WHEEL	1
8	b-61-1000006	BOLT	1
9	B-61-1000008	PEDAL	1
10	B-61-1000009	ROLLING ROPE WHEEL	1
11	B-61-1000012	BOLT M8X35	1
12	B-40-1002000	CIRCULAR BLOCK	1
13	GB6187.1-M10	METAL HEXAGON LOCK NUT	1
14	TB-E-9001380	MOTOR ASSEMBLY PART	1
15	GB5781-M10×25	HEXANGULAR BOLT	4
16	GB96.1-10	LARGE WASHER A GRADE	4
17	TB-P-0200000	BALANCING SHAFT ASSEMBLY PART	1
18	GB70.1-M10×25	INNER HEXA CYLINDRICAL SCREW	4
19	B-61-1000010	STEEL WIRE	1
20	B-61-1000002	SIDE SEALING PANEL	1
21	GB15856.4-ST5.5×19	HEXA FLANGE TAPPING SCREW	8
22	b-61-1000003	PRONT GUARD PLATE	1
23	TB-F-0300000	HOOD ASSEMBLY	1
24	B-40-1000004	WEDGE BELT	1
25	GB894.1-16	SHAFT ELATIC BIG RETAINING RING A-TYPE	2
26	TB-E-1211002	PLASTIC CLIPPER	3
27	TB-L-0102000	SCALE ASSEMBLY	1
28	GB818-M5×12-H	CROSS PANHEAD SCREW	2
29	GB93-5	STANDARD SPRING WASHER	2
30	B-61-1000001	WEIGHT TRAY	1
31	GB818-M6×16-H	CROSS PANHEAD SCREW	1
32	GB93-6	STANDARD SPRING WASHER	5
33	GB95-6	FLAT WASHER	5
34	B-53-1000007	NUT M4	4
35	B-53-1000006	SCREW M4	4
36	GB78-M8×16	INNER HEXA CONIC TERMINUS SET SCREW	1
37	B-61-1000005	BRACKET	1
38	B-61-1000011	SUPPORT PIPE EXTENSION SPRING	1
39	GB5781-M5×20	HEXANGULAR BOLT	1
40	GB96.2-5	LARGE WASHER C GRADE	1

ITEM	PART.No	DESCRIPTION.	QT.Y
41	B-53-1000008	FIX PLATE	6
42	B-53-1000009	NYLON BELT	6
43	B-40-1200000	BOTTOM BRACKET WELDING	1
44	GB95-8	FLAT WASHER	8
45	GB93-8	STANDARD SPRING WASHER	8
46	GB41-M8	HEXANGULAR NUT	8
47	B-61-1000014	CLIP NUT	2
48	B-53-1000013	MOTHER BOARD CABLE	1
49	B-56-1500105	CPU CABLE	1
50	GB818-M4×10-H	CROSS PANHEAD SCREW	1
51	GB95-4	FLAT WASHER	1
52	GB6170-M4	HEXANGULAR NUT 1-TYPE	1
53	GB5789-BM6×12	HEXA FLANGE BOLT	2
54	GB845-ST3.5×13 H C	CROSS PANHEAD TAPPING SCREW	1
55	B-40-1000001	CPU-CB448	1
56	B-53-1000017	OPTICBACKPANEL CABLE	1
57	TB-P-0210000	PRESS SENSOR ASSEMBLY	1
58	TB-E-1320000	POWER SUPPLY ASSEMBLY	1
59	B-40-1000002	SWITCH WIRING	1
60	TB-E-2000101	POWER CABLE	1
61	GB70.1-M8×30	INNER HEXA CYLINDRICAL SCREW	8
62	C-54-1000017	CABLE CONNECTOR	1
63	B-61-1003000	Brake plate group welding	1
64	GB70.3-M8×20	INNER COUNTERSUNK SCREW	2
65	B-40-1300000	DISPLAY	1
66	GB70.1-M6×16	INNER HEXA CYLINDRICAL SCREW	4
67	TB-E-1001300	COMBINED SWITCH	1
68	C-71-1000019	RUBBER GROMMET	1
69	C-54-1000015	STOP-UP	1
70	GB95-5	FLAT WASHER	2

W69

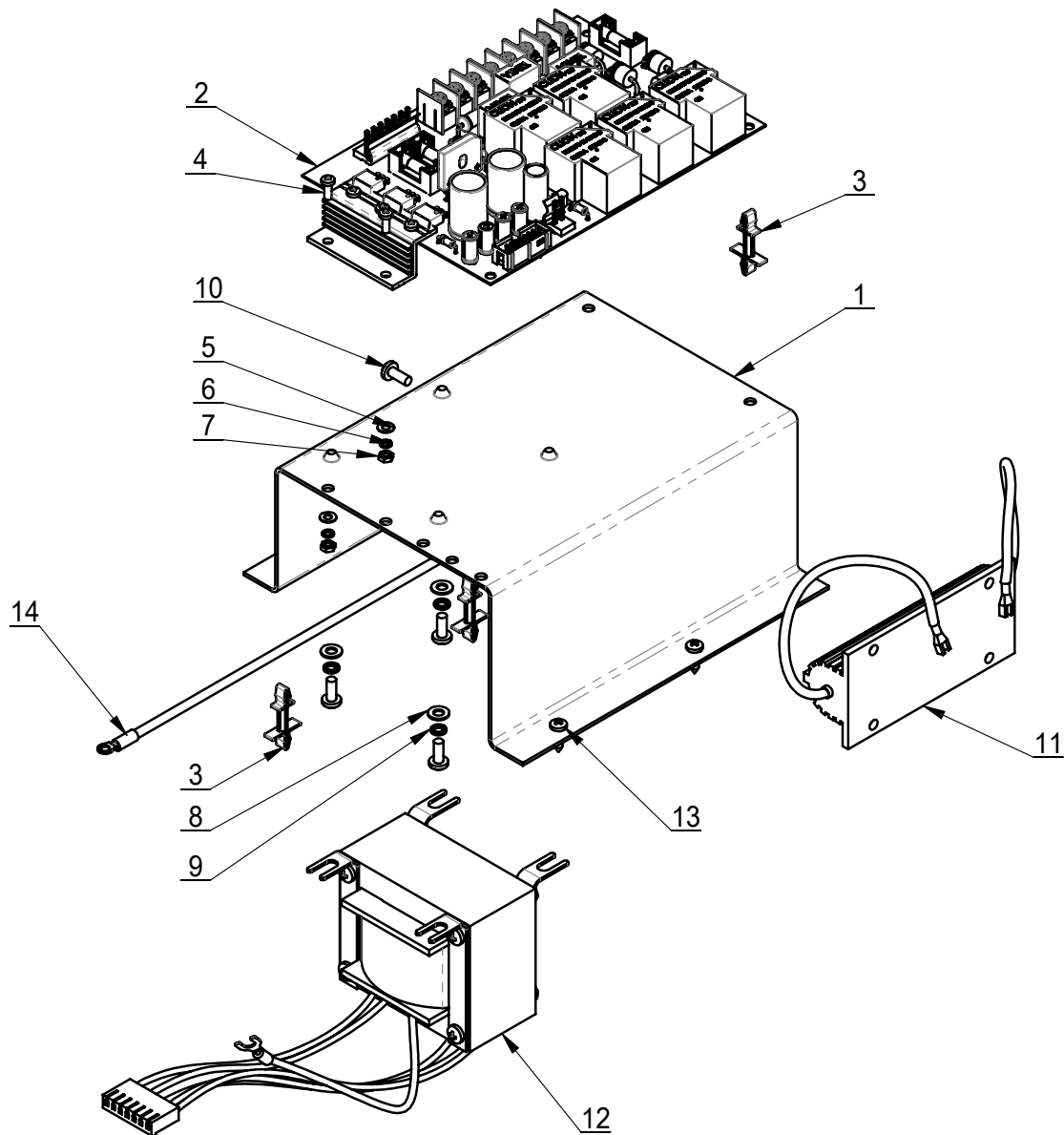


ITEM	PART.No	DESCRIPTION.	QT.Y
1	B-61-1300001	PC COVER	1
2	B-61-1301000	CONTROL PANEL SUPPORT	1
3	B-61-1300003	DISPLAY BOARD	1
4	B-40-1300001	MEMBRANE SWITCH	1
5	GB819.1-M3×16-H	CROSS COUNTERSUNK SCREW STEEL 4.8 GRADE	6
6	GB95-3	FLAT WASHER	10
7	GB93-3	STANDARD SPRING WASHER	10
8	GB6170-M3	HEXANGULAR NUT 1-TYPE	18
9	GB819.1-M3×25-H	CROSS COUNTERSUNK SCREW STEEL 4.8 GRADE	4
10	GB15856.4-ST5.5×25	HEXA FLANGE TAPPING SCREW	8
11	B-43-1000002	PLUG	1
12	B-61-1300005	KEY BOARD CALBE	1
13	B-61-1300006	The key CALBE B	1
14	B-61-1300007	ORGANIC CALBE A	1
15	B-61-1300008	ORGANIC CALBE B	1
16	B-61-1300009	LAND CALBE B	1
17	B-61-1300010	LAND CALBE B	1



ITEM	PART.No	DESCRIPTION.	QT.Y
1	TB-E-9000380	MOTOR	1
2	B-40-1000003	MOTOR PULLEY	1
3	GB1096-5×5×20	COMMON FLAT KEY	1

W69

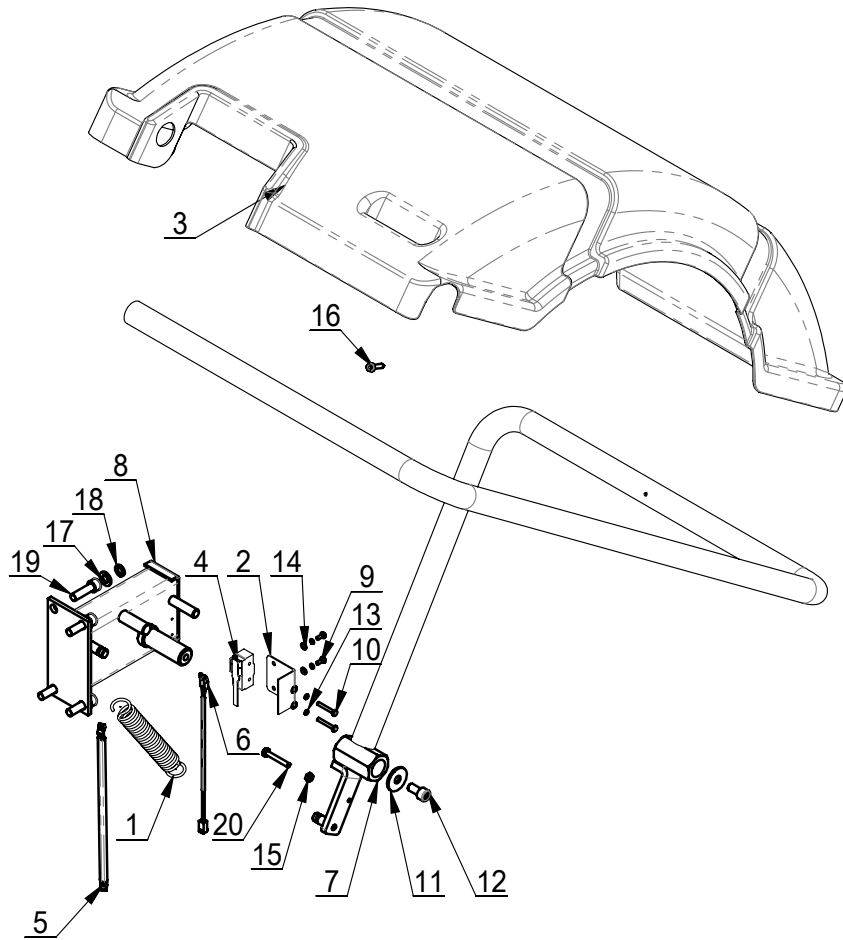


ITEM	PART.No	DESCRIPTION.	QT.Y
1	TB-E-1321001	SUPPORT PLATE	1
2	TB-E-1311100	POWER BORAD 3PH	1
3	TB-E-1211002	PLASTIC CLIPPER	4
4	GB818-M3×8-H	CROSS PANHEAD SCREW	2
5	GB95-3	FLAT WASHER	2
6	GB93-3	STANDARD SPRING WASHER	2
7	GB6170-M3	HEXANGULAR NUT 1-TYPE	2
8	GB95-4	FLAT WASHER	4
9	GB93-4	STANDARD SPRING WASHER	4
10	GB818-M4×10-H	CROSS PANHEAD SCREW	6
11	TB-E-1211220	BREAK RESISTANCE	1
12	TB-E-1357380	Transformer 380V	1
13	GB845-ST3.5×13 H C	CROSS PANHEAD TAPPING SCREW	2
14	TB-E-1210100	EARTH WIRE	1

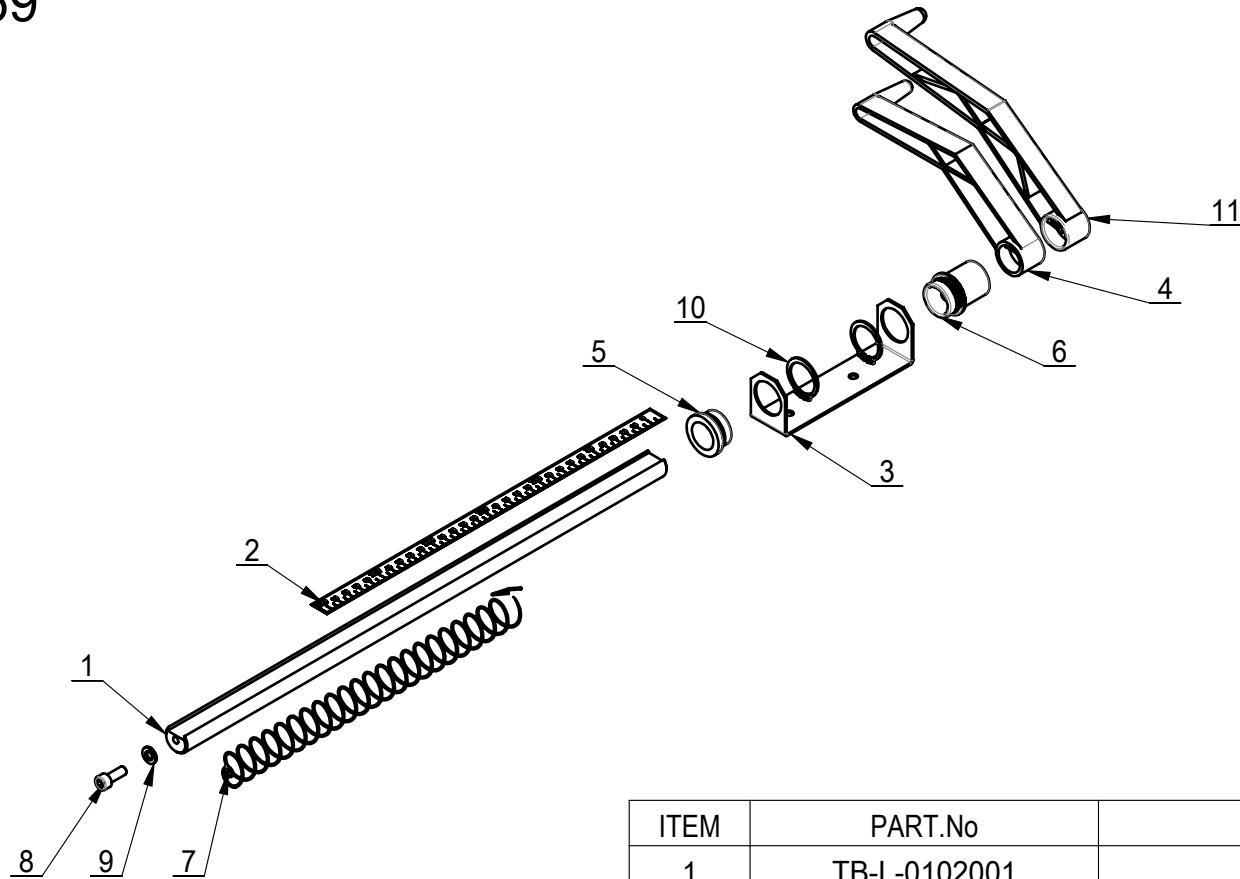
W69

REVISION 15A-01

TB-F-0300000



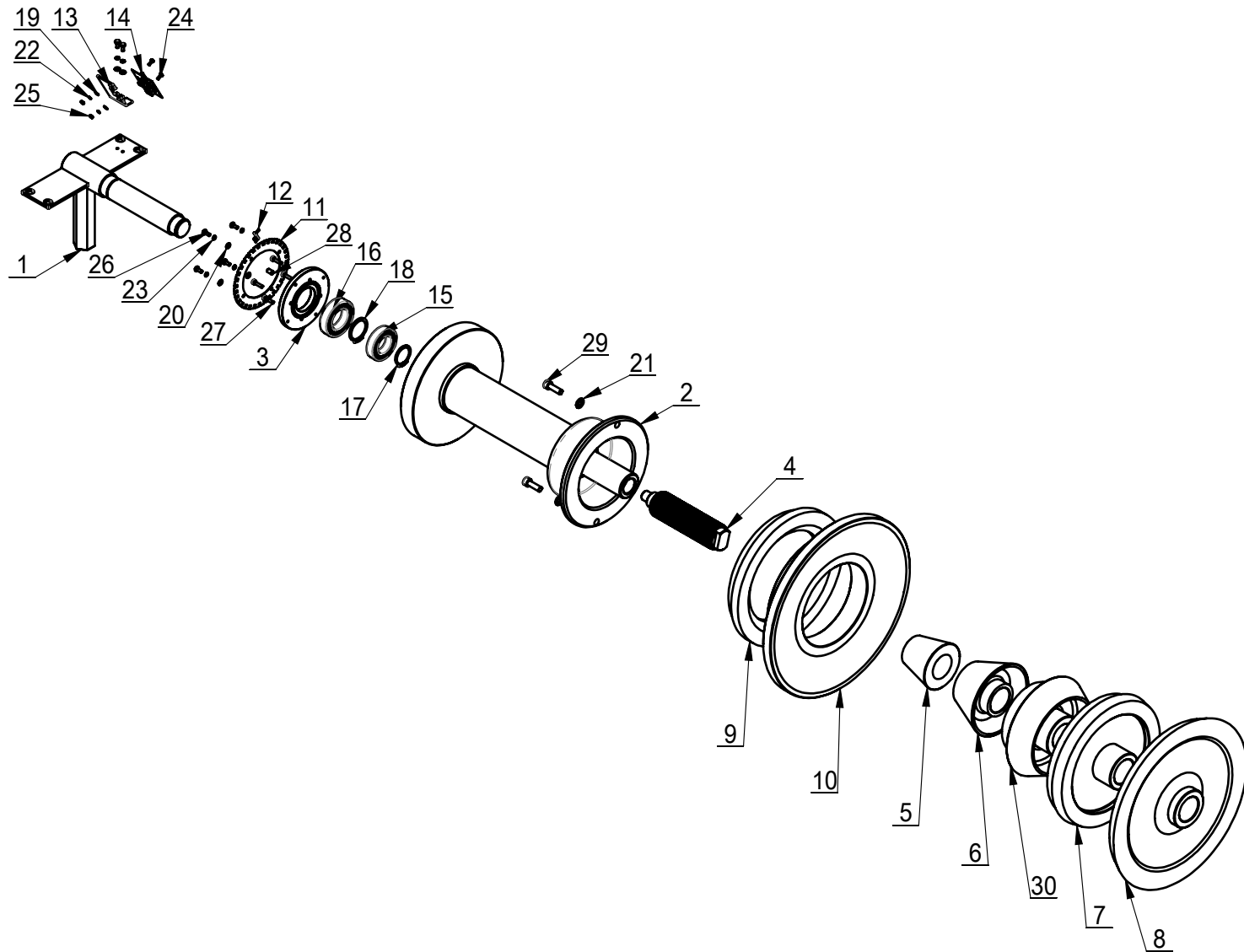
ITEM	PART.No	DESCRIPTION.	QT.Y
1	TB-F-0100001	SUPPORT PIPE EXTENSION SPRING	1
2	TB-F-0100002	PROTECTIVE PLATE	1
3	TB-F-0100003	NEW STYLE HOOD	1
4	TB-F-0100004	HOOD SWITCH	1
5	TB-F-0100011	COVER HOOD CABLE B	1
6	TB-F-0300001	TRAVEL SWITCH CONNECTION	1
7	TB-F-0120000	PROTECTIVE HOOD SUPPORTT	1
8	TB-F-0300100	PROTECTIVE HOOD SUPPORT	1
9	GB818-M4×10-H	CROSS PANHEAD SCREW	2
10	GB818-M4×30-H	CROSS PANHEAD SCREW	2
11	GB5287-10	EXTREM LARGE WASHER C-GRADE	1
12	GB70.1-M10×20	INNER HEXA CYLINDRICAL SCREW	1
13	GB93-4	STANDARD SPRING WASHER	4
14	GB95-4	FLAT WASHER	4
15	GB6170-M6	HEXANGULAR NUT 1-TYPE	1
16	GB16824.1-ST5.5×25 C	HEXA FLANGE TAPPING SCREW	1
17	GB95-10	FLAT WASHER	4
18	GB93-10	STANDARD SPRING WASHER	4
19	GB70.1-M10×35	INNER HEXA CYLINDRICAL SCREW	4
20	GB5781-M6×40	HEXANGULAR BOLT	1



ITEM	PART.No	DESCRIPTION.	QT.Y
1	TB-L-0102001	SCALE ROD	1
2	TB-L-0300002	SCALE	1
3	TB-L-0102003	SCALE SEAT	1
4	TB-L-0102004	SCALE HANDLE	1
5	TB-L-0101002	HARNESS	1
6	TB-L-0101005	HARNESS	1
7	TB-L-0101007	SPRING	1
8	GB70.1-M6×16	INNER HEXA CYLINDRICAL SCREW	2
9	GB95-6	FLAT WASHER	1
10	GB894.1-25	SHAFT ELATIC BIG RETAINING RING A-TYPE	2
11	TB-L-0100200	SCALE HANDLE	1

W69

REVISION 15A-01

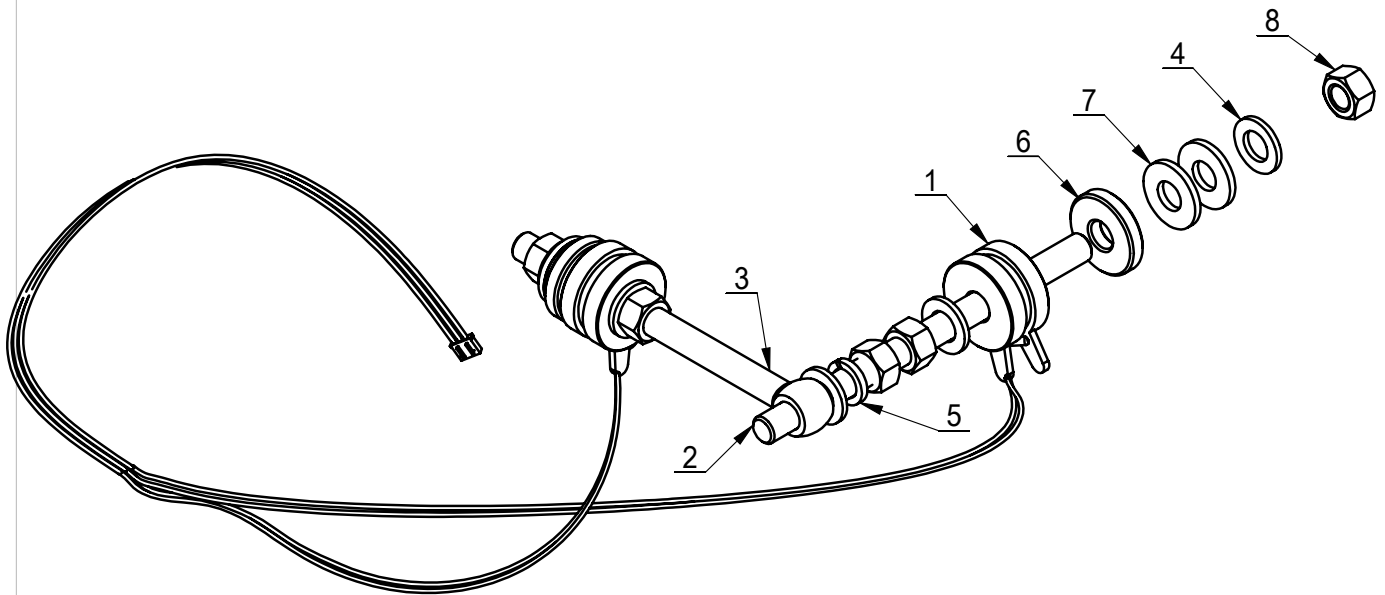


TB-P-0200000

W69

ITEM	PART.No	DESCRIPTION.	QT.Y
1	TB-P-0201000	FIXING SHAFT WELDING	1
2	TB-P-0202000	WHEEL BALANCER ASSY PARTS	1
3	TB-P-0200001	BEARING PRESS COVER	1
4	TB-P-0200004	THREAD SHAFT	1
5	TB-P-0200005	CONE_E	1
6	TB-P-0200006	CONE_D	1
7	TB-P-0200008	CONE_B	1
8	TB-P-0200009	CONE_C	1
9	TB-P-0200010	FLANGE	1
10	TB-P-0200011	BIG_FLANGE	1
11	TB-P-0100002	PHOTOELECTRIC SET	1
12	TB-P-0100003	PHOTOELECTRIC TOOTH	1
13	TB-P-0100004	ENCODER CELL PLATE	1
14	TB-P-0100011	ANGLE SENSOR	1
15	GB276-6006	DEEP GROOVE BALL BEARINGS	1
16	GB276-6007	DEEP GROOVE BALL BEARINGS	1
17	GB894.2-30	SHAFT ELATIC RETAINING RING B-TYPE	1
18	GB894.2-35	SHAFT ELATIC RETAINING RING B-TYPE	1
19	GB95-3	FLAT WASHER	2
20	GB95-4	FLAT WASHER	5
21	GB95-8	FLAT WASHER	2
22	GB93-3	STANDARD SPRING WASHER	2
23	GB93-4	STANDARD SPRING WASHER	6
24	GB818-M3×8-H	CROSS PANHEAD SCREW	2
25	GB6170-M3	HEXANGULAR NUT 1-TYPE	2
26	GB818-M4×10-H	CROSS PANHEAD SCREW	6
27	GB70.1-M4×16	INNER HEXA CYLINDRICAL SCREW	4
28	GB77-M6×10	INNER HEXA FLAT TERMINUS SET SCREW	2
29	GB70.1-M8×25	INNER HEXA CYLINDRICAL SCREW	2
30	TB-P-0200007	CONE_A	1

W69

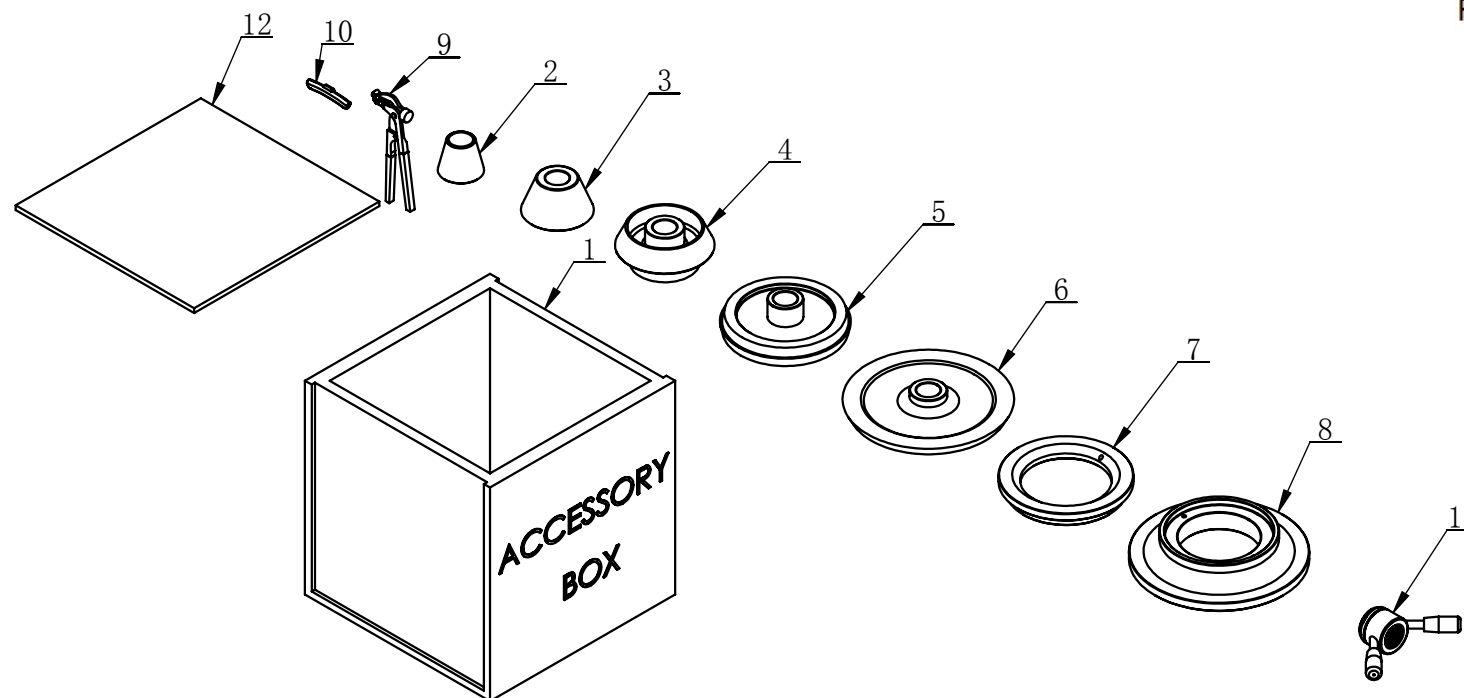


ITEM	PART.No	DESCRIPTION.	QT.Y
1	TB-P-0204000	PIEZO ASSEMBLY	1
2	TB-P-0200002	SCREW THREAD COLUMN	1
3	TB-P-0203000	GONG RINGS BOLT	1
4	GB95-12	FLAT WASHER	5
5	GB93-12	STANDARD SPRING WASHER	1
6	TB-P-0200003	PRESSING WASHER	2
7	DIN 6796 - 12	SPRING PIEZO WAHSER	4
8	GB6170-M12	HEXANGULAR NUT 1-TYPE	5

W69

REVISION 15A-01

TB-S-0300000



ITEM	PART. No	DESCRIPTION.	QT. Y
1	TB-S-0300001	ACCESSORY BOX	1
2	TB-P-0200005	CONE_E	1
3	TB-P-0200006	CONE_D	1
4	TB-P-0200007	CONE_A	1
5	TB-P-0200008	CONE_B	1
6	TB-P-0200009	CONE_C	1
7	TB-P-0200010	FLANGE	1
8	TB-P-0200011	BIG_FLANGE	1
9	TB-S-0100005	BALANCE HAMMAR	1
10	TB-S-0100003	WEIGHT (100g)	1
11	TB-K-0300000	LOCK NUT	1
12	TB-S-0300002	ACCESSORY TOP	1