

Fig. 24

IV. EXPLODED VIEW

MODEL SX07

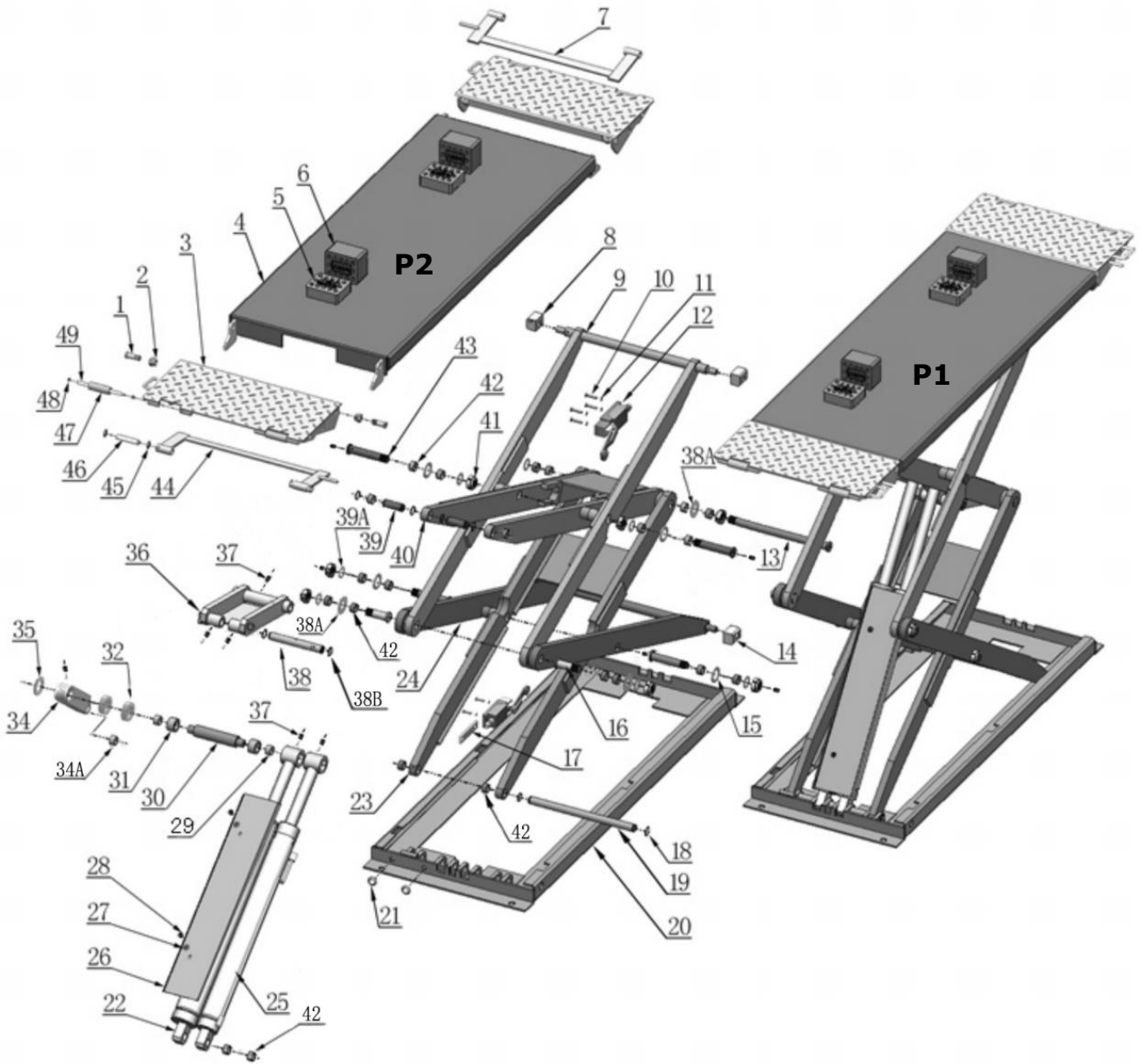


Fig. 25

PARTS LIST FOR SX07

Item	Part#	Description	QTY.	Note
1	11620124	Pin For Drive-thru Ramp	8	
2	10650024	Self locking nut M16	8	
3	11620128	Drive-in Ramp	4	
4	11620001B	Platform	2	
5	10620034	Rubber Pad 120*100*38	4	
6	10610070	Rubber Pad 120*100*70	4	
7	11620129	Support frame for Drive-in Ramp (Left)	2	
8	1003105001	Slider Block (white) 60*42*23	4	
9	11620026B	Upper Scissor (Outter)	2	
10	10203018	Socket Bolt M5*15	6	
11	10420152	Washer ϕ 5	6	
12	10206013	Limit Switch	2	
13	11620011A	Scissors Pin ϕ 25*370	2	
14	10620061	Slider Block (white) 33*42*80	4	
15	10620117	Washer	8	
16	11620030	Scissors Pin ϕ 35*83	4	
17	11620060	Fix Plate For Limit Switch	1	
18	10206032	Snap Ring ϕ 25	12	
19	11620014A	Base frame Pin ϕ 25*392	2	
20	11620017B	Base frame	2	
21	10620059	Protection Ring (Groove width 6mm)	3	
22	10620186	Secondly Cylinder ϕ 60*560	2	
23	11620033A	Lower Scissor (Inner)	2	
24	11620031A	Lower Scissor (Outer)	2	
25	10620012B	Main Cylinder ϕ 75*560	2	
26	11620016A	Cylinder Cover	2	
27	10420045	Washer ϕ 6	4	
28	10209009	Cup Head Bolt M6*8	4	
29	10620180	Bronze Bush ϕ 30* ϕ 38*25	4	
30	11620025A	Cylinder Connecting Pin ϕ 38*221	2	
31	11620024A	Roller ϕ 52*25	4	
32	11620120	Pin Bush ϕ 60*17mm	4	
34	11620007A	Buffer Connecting bar	2	
34A	10620141	Bronze Bush ϕ 36* ϕ 30.1*24	2	
35	11620119	Pin Bush ϕ 60*5.5mm	2	
36	11620010B	Buffer	2	
37	10620064	Greasing Fitting M6	28	
38	11620008A-01	Buffer Connecting Pin ϕ 30*192	2	
38A	1003105003	Slider pad ϕ 65* ϕ 25.5*8	8	
38B	10610008	ϕ 30 Snap ring	4	
39	11620028A	Connecting Pin (Platform) ϕ 25*72	4	
39A	10640109	Washer ϕ 44* ϕ 25.5*2	14	

Item	Part#	Description	QTY.	Note
40	11620027B	Upper Scissor (Inner)	2	
41	10620022	Self locking Nut M24*2.5	14	
42	10203004A	Bronze Bush $\phi 31 * \phi 25.1 * 21$	44	
43	11620019A	Scissors Pin $\phi 35 * 137$	8	
44	11620130	Support frame for Drive-in Ramp(Right)	2	
45	10420037	Snap Ring $\phi 16$	16	
46	11620123	Connecting Shaft for support frame $\phi 16 * 90$	8	
47	11610667	Roller for Drive-in Ramp	8	
48	10209010	$\phi 10$ Snap Ring	16	
49	11620043	Roller Pin	8	
50	10620199	Control Cabinet (Single phase)	1	
	10620067	Control Cabinet (Three phase)		
51	81523008	Electric Power Unit (220V/50Hz)	1	
	81523007	Electric Power Unit (380V/50Hz)		
52	10620069	Screw M4*30	42	
53	10620070	Colloidal screw $\phi 6$	42	
54	10620071	Anchor Bolt M10*100	4	
55	10620072	Oil Hose 1/4*650mm	6	
55A	10620103	O Ring $\phi 11 * 2.5$	6	
55B	10620102	Seal Ring $\phi 16 * \phi 19 * 1.8$	6	
56	10620152	Oil Hose No.④ 1/4*4730mm	1	
57	10620153	Oil Hose No.③ 1/4*3480mm	1	
58	10620154	Oil Hose No.② 1/4*3570mm	1	
59	10620155	Oil Hose No.⑤ 1/4*4920mm	1	
60	10620156	Oil Hose No.① 1/4*3720mm	1	
61	10620157	Oil Hose No.⑥ 1/4*4980mm	1	
62	10620079	Straight Fitting 1/4JIC(M)*1/4JIC(M)	6	
63	10209059	Anchor Bolt 3/4*5-1/2	8	
64	10620065	Shim (2mm)	20	
64A	10201090	Shim (1mm)	20	
65	11620035A	Oil hose cover (748mm)	3	
66	11620066	Oil hose cover (600mm)	2	
67	11620036A	Oil hose cover (1060mm)	2	
68	11620161	Oil hose cover	1	
69	10620500A	Parts Box	1	

4.1 Main CYLINDERS (10620012B)

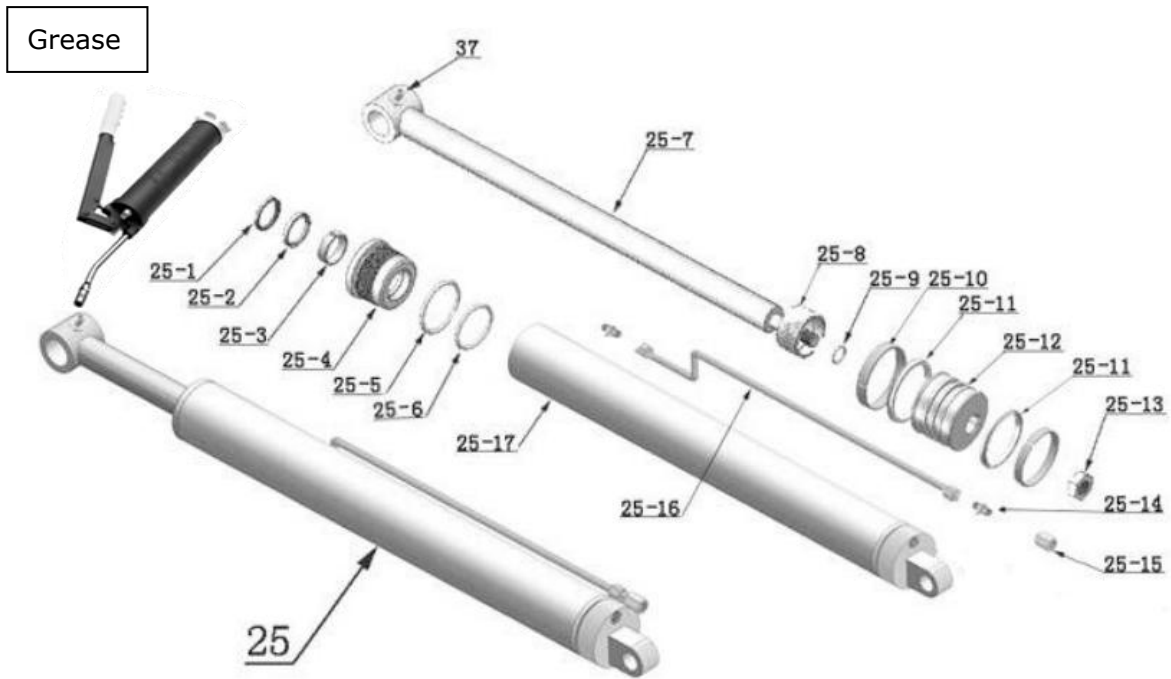


Fig 26

Parts for Main cylinder

Item	Part#	Description	QTY.	Note
25-1	10209078	Dust Ring	4	
25-2	10217243	Y- Ring	2	
25-3	10620047	Support Ring	2	
25-4	11620192	Head Cap (Main)	2	
25-5	10620171	O- Ring	2	
25-6	10630027	O-Ring	2	
25-7	11620051	Piston Rod	4	
25-8	11620193	Spacer For Cylinder	2	
25-9	10620197	O- Ring	4	
25-10	10620053	Support Ring	2	
25-11	10620054	Y- Ring	4	
25-12	11620194	Piston	2	
25-13	10206071	Hex Nut	4	
25-14	10209064	Straight fitting	4	
25-15	10620127	Oil hose fitting	2	
25-16	10620125A	Oil hose ASSY.	2	
25-17	11620050A	Bore weldment	2	

4.2. Secondly Cylinders (10620186)

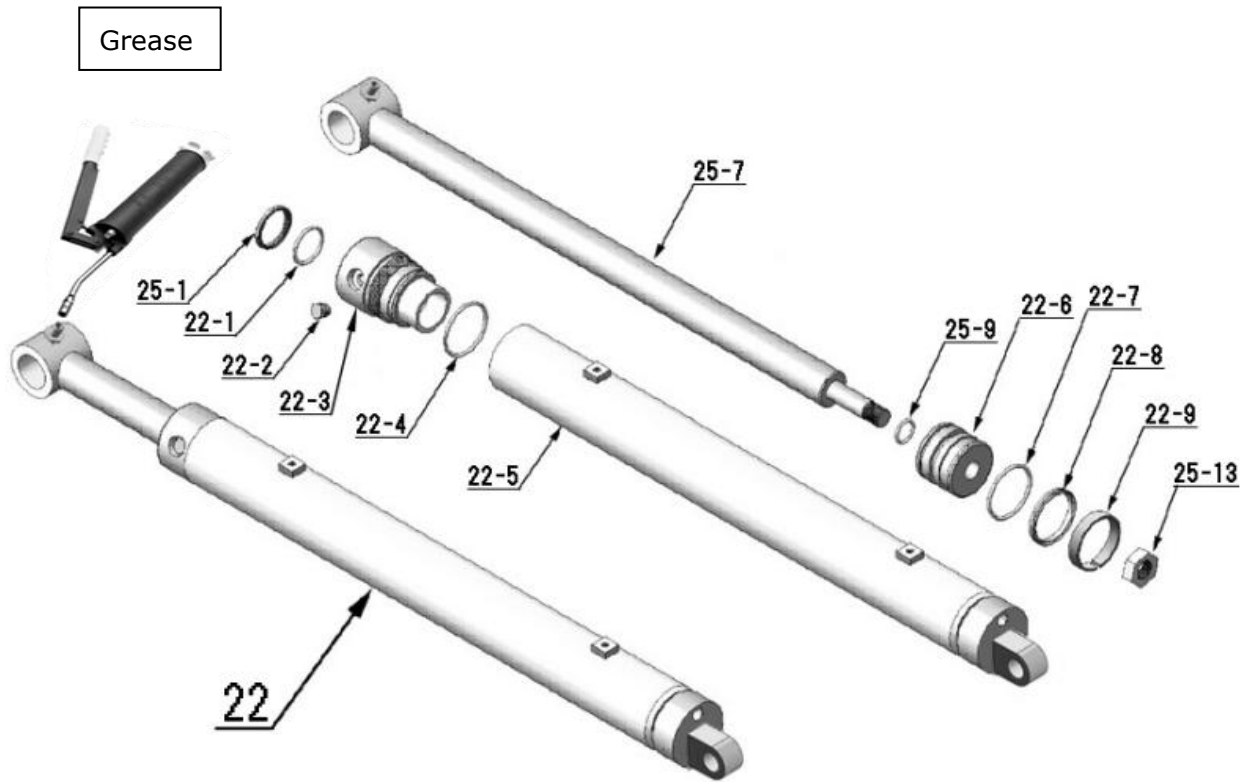


Fig. 27

Parts for Secondly cylinder

Item	Part#	Description	QTY.	Note
22-1	10520058	O- Ring	2	
22-2	10201034	Bleeding Plug	2	
22-3	11620190	Head Cap	2	
22-4	10620182	O- Ring	2	
22-5	11620056	Bore Weldment	2	
22-6	11620196	Piston	2	
22-7	10217258	O- Ring	2	
22-8	10217257	Y- Ring	2	
22-9	10217256	Support Ring	2	

CONTROL CABINET

Part No.: 10620199 (Single Phase)

10620067 (3 Phase)

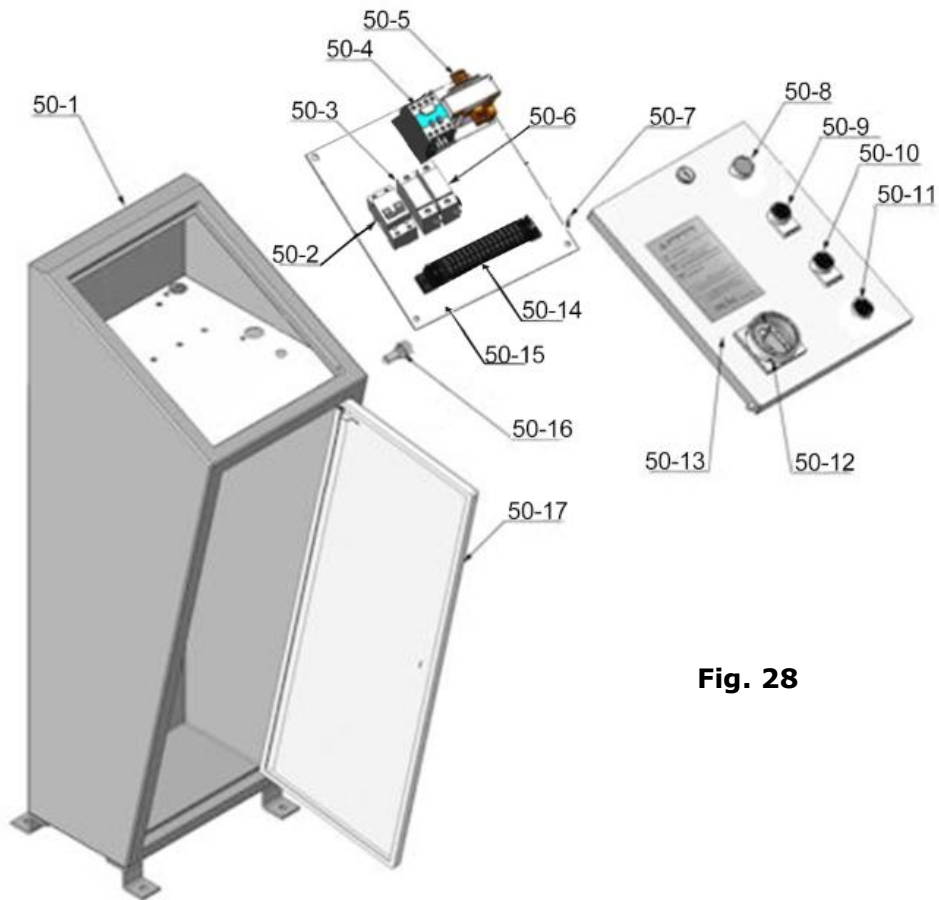


Fig. 28

Parts for control cabinet

Item	Part#	Description	QTY.	Note
50-1	1162K001A	Cabinet Body	1	
50-2	10620150	Breaker 3P 25A (380V only)	1	
	10202046	Breaker 2P (220V only)	1	
50-3	10202049	Breaker 1P 6A	1	
50-4	10420084A	24V AC Contractor (KM)	1	
50-5	10420134	24V Transformer (TC)	1	
50-6	10202049	Breaker 1P 6A	1	
50-7	1061K052	Cup Head Bolt	4	
50-8	10201094	Power Indicator	1	
50-9	10209099A	Button (UP)	1	
50-10	10209099A	Button (Down)	1	
50-11	10420142	Lower Alarm Button (Pass)	1	
50-12	41010217	Power Switch (QS)	1	
50-13	1162K007	Control Panel	1	
50-14	10620082	Terminal Group	1	
50-15	10620099	Panel for Installing Element	1	
50-16	10420143	Alarm	1	
50-17	1162K012	Door of control cabinet	1	

4.4 ELECTRIC POWER UNIT (81523007/81523008)

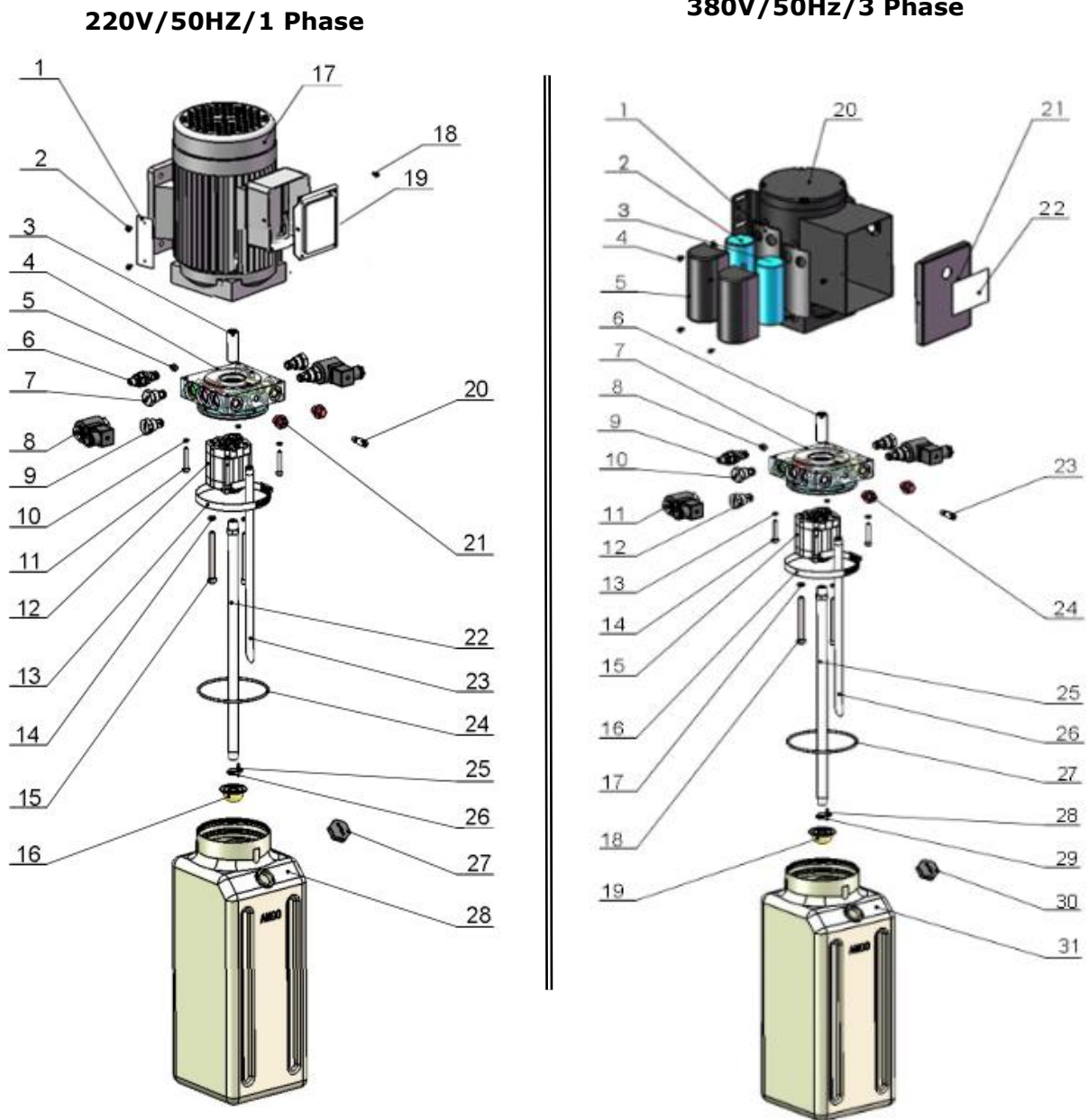


Fig. 29

Parts for 380V 50Hz 3PH power unit

Item	Part#	Description	QTY.	Note
1	71150055	AMGO Name plate	1	
2	81400300	Cup Head Bolt	2	
3	81400363	Motor Connecting Shaft	1	
4	80101015	Valve Body	1	
5	81400333	Socket Plug	4	
6	81400266	Relief Valve	1	
7	81400566	Check Valve	2	
8	81400420	Hydraulic Solenoid Valve Coil	2	
9	81400423	Release Valve	2	
10	10209149	Lock Washer $\phi 6$	4	
11	85090142	Socket Bolt	4	
12	81400280	Gear Pump	1	
13	81400364	Hose Clamps	1	
14	10209034	Lock Washer $\phi 8$	2	
15	81400295	Socket Bolt	2	
16	81400290	Filter	1	
17	81400286	Aluminum Motor	1	
18	10420148	Cup Head bolt with washer	2	
19	81400208	Terminal Box cover for motor	1	
20	10420148	Cup Head bolt with washer	6	
21	81400209	Terminal Box cover for motor	1	
22	81400560	Throttle Valve	1	
23	81400259	Rubber Plug	2	
24	81400288	Oil Suction Hose	1	
25	81400289	Oil Return Hose	1	
26	81400365	O Ring	1	
27	10209152	Tie	1	
28	85090167	Magnet	1	
29	81400263	Tank Cover	1	
30	81400275	Tank	1	

Parts for 220V 50Hz 1PH power unit

Item	Part#	Description	QTY.	Note
1	81400180	Rubber Pad	2	
2	81400250	Start Capacitor	1	
3	81400200	Run Capacitor	1	
4	10420148	Cup Head Bolt	6	
5	81400066	Capacitor Cover	2	
6	81400363	Motor Connecting Shaft	1	
7	80101015	Valve Body	1	
8	81400333	Socket Plug	4	
9	81400266	Relief Valve	1	
10	81400566	Check Valve	2	
11	81400420	Hydraulic Solenoid Valve Coil	2	
12	81400423	Release Valve	2	
13	10209149	Lock washer $\phi 6$	4	
14	85090142	Socket Bolt	4	
15	81400280	Gear Pump	1	
16	81400364	Hose Clamps	1	
17	10209034	Lock Washer $\phi 8$	2	
18	81400295	Socket Bolt	2	
19	81400290	Filter	1	
20	81400413	Motor	1	
21	81400287	Terminal Box cover for motor	1	
22	71111231	AMGO Label	1	
23	81400560	Throttle Valve	1	
24	81400259	Rubber Plug	2	
25	81400288	Oil Suction Hose	1	
26	81400289	Oil Return Hose	1	
27	81400365	O Ring	1	
28	10209152	Tie	1	
29	85090167	Magnet	1	
30	81400263	Tank Cover	1	
31	81400275	Tank	1	