

# EXPLODED VIEW

## Model 209C 209CH

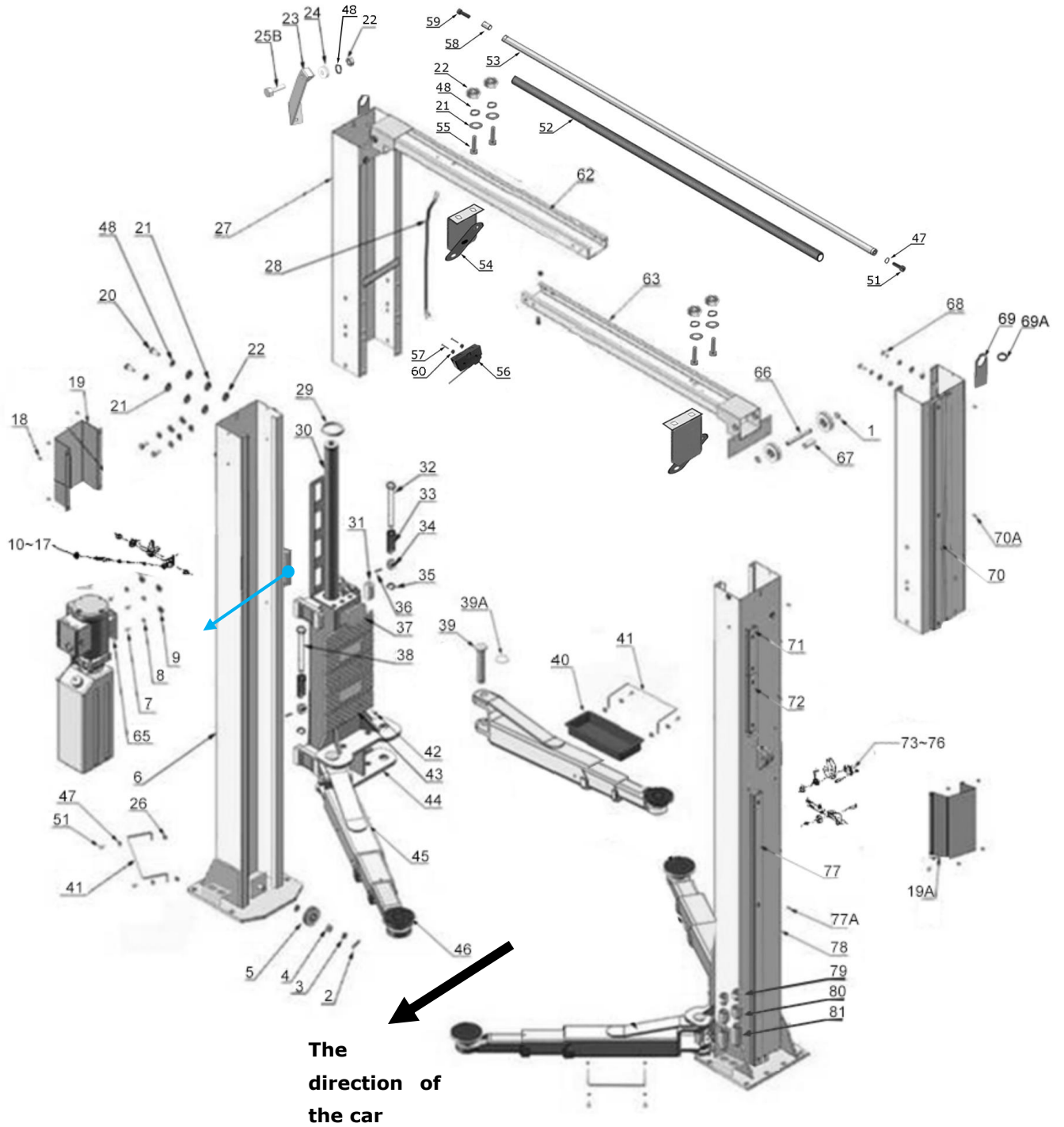


Fig. 43

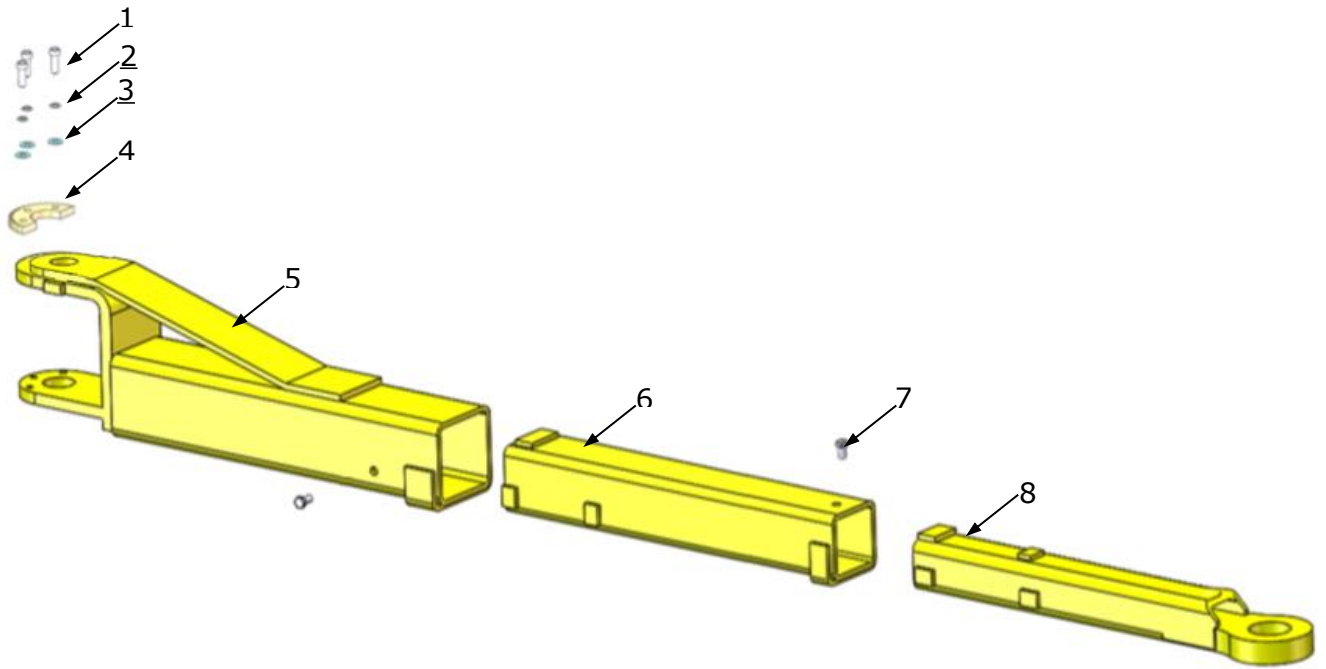
## Parts List

Item	Part#	Description	Qty.		Note
			209C	209C	
1	10206019	Snap Ring $\phi$ 19	4	4	
2	10209012	Hair Pin $\phi$ 3.2	2	2	
3	10209128	Washer $\phi$ 20	4	4	
4	1002011001	Bronzed bush $\phi$ 22* $\phi$ 19*14	6	6	
5	1102011001	Pulley $\phi$ 80* $\phi$ 22*15	6	6	
6	11206001C	Power Side column	1	1	
7	10209003	Hex Bolt M8*25	8	8	
8	10209004	Rubber Ring $\phi$ 8*20*3	4	4	
9	10209005	Self Locking Nut (M8)	4	4	
10	11217436	Safety device spacer $\phi$ 27*15	2	2	
11	11217006	Safety device control handle	1	1	
12	10217005	Plastic ball	1	1	
13	10206023A	Hex Nut	15	15	
14	10420026	Lock Washer $\phi$ 12	15	15	
15	10206006	Washer $\phi$ 12	15	15	
16	11217004	Main Cam Lock	1	1	
17	11217012	Safety device spacer	2	2	
18	10209009	Cup head bolt M6*8	10	10	
19	11217405	Power-side safety device cover	1	1	
19A	11217406	Off-side safety device cover	1	1	
20	10209126	Hex Bolt	20	20	
21	10209022	Washer $\phi$ 10	44	44	
22	10209021	Hex Nut M10	27	27	
23	11217379	Safety Cable Bracket	2	2	
24	10206009	Plastic pulley	3	3	
25	10209046	Hex Bolt M10*35	3	3	
26	10209033	Washer $\phi$ 8	12	12	
27	11206204	Extension Column L=1240mm	2	0	
	11206207	Extension Column L=1850mm	0	2	
28	10206137	Wire L=3700	1	0	
	10206138	Wire L=4310	0	1	
29	10209111	Cylinder protective Ring	2	2	
30	11217056	Cylinder $\phi$ 50*1727	2	2	
31	10209015	Slider Block	16	16	
32	11206046A	Arm Lock Bar (Left)	2	2	
33	10206050A	Spring	4	4	
34	10217044-01	Arm Lock	4	4	
35	10206032	Snap Ring	4	4	
36	10206036	Hair Pin	4	4	
37	10209016	Carriage plastic cover	2	2	
38	11206046	Arm Lock Bar (Right)	2	2	
39	11217168	Arm Pin	4	4	

Item	Part#	Description	Qty.		Note
			209C	209C	
39A	10520023	Snap Ring	4	4	
40	10206190	Tool Tray (Short)	2	2	
41	11206191	Short Toe Guard	4	4	
42	10209019	Screw	12	12	
43	10209018	Protective Rubber	2	2	
44	11279004	Carriage	2	2	
45	10203156	Front Arm Assy.	4	4	
46	10201046A	Rubber Pad Assy.	4	4	
46A	10420138	Socket Bolt M6*16	12	12	
46B	10209134	Rubber Pad	4	4	
46C	11680030C	Support Frame	4	4	
47	10209034	Lock Washer φ8	15	15	
48	10209039	Washer φ10	27	27	
49	10209059	Anchor Bolts 3/4*5-1/2	12	12	
50	10206500B	Parts Box	1	0	
	10206501B		0	1	
51	10201002	Hex Bolt M8*16	9	9	
52	10206025A	Form Cushion	1	1	
53	1102072001A-01	Control Bar φ22*2400	1	1	
54	1103072003A-01	Control Bar Fixing bracket	2	2	
55	10206017	Hex Bolt M10*20	4	4	
56	1002022001	Limit Switch CZ-7121	1	1	
57	10420164	Cup Head Bolt M4*30	2	2	
58	110207007	Connecting Bush φ14*2*20	1	1	
59	10201122	Hex Bolt M8*35	1	1	
60	10620095	Hex Nut M4	2	2	
62	11206195-01	Top Beam A	1	1	
63	11206196-01	Top Beam B	1	1	
64	107820002	Socket Bolt	1	1	
65	81513001	Power unit 220V/50Hz/1 Phase	1/1	1/1	
	81513002	Power unit 380V/50Hz/3 Phase			
66	11206021	Pin for pulley	2	2	
67	11206022	Top pulley tube	2	2	
68	10206024	Hex Bolt M12*25	14	14	
69	11217024	Hose Support	2	2	
69A	1061K074	Protective Ring	2	2	
70	11203752	Protective Cover L=1140	2	0	
	11203756	Protective Cover L=1750	0	2	
70A	10206110	Cup head bolt M6*35	4	4	
71	11206084	Protective Cover L=200	2	2	
72	11206083	Protective Cover L=385	2	2	
73	10217008	Spring φ2.5*145°	1	1	
73A	10217030	Spring φ2.0*120°	2	2	
74	11217009	Safe Device	2	2	

Item	Part#	Description	Qty.		Note
			209C	209C	
75	10217010	Hex Bolt M6*40	1	1	
76	11217029	Pulley bracket	1	1	
76A	11217031	Cam Lock	1	1	
76B	10217032	Connect pin for cable	1	1	
76C	10217033	Self locking nut	1	1	
77	10203778	Protective cover L=1545	2	2	
77A	10206079	Cup Head bolt M6*40	14	14	
78	11206203	Offside column	1	1	
79	11209051B	Stackable adaptor (1.5")	4	4	
80	11209052B	Stackable adaptor (2.5")	4	4	
81	11209053B	Stackable adaptor (5")	4	4	
82	10217066	Hex Bolt M6*15	10	10	
83	10217011	Hex Nut M6	9	9	
84	10420045	Washer φ6	26	26	
85	10206064A	Cable L=10048mm	2	0	
	10206064B	Cable L=11268mm	0	2	
86	10206132-01	Oil Hose L=4470mm	1	0	
	10206133-01	Oil Hose L=5080mm	0	1	
87	10209060	90° fitting	1	1	
87A	10211016	T Fitting	1	1	
88	10209064	Straight fitting	2	2	
89	10206062	Straight fitting	2	2	
90	10233009	Straight fitting	2	2	
91	10206130-01	Oil Hose L=5350mm	2	0	
	10206131-01	Oil Hose L=5960mm	0	2	
92	10206200	Safety Cable L=7750mm	1	0	
	10206065A	Safety Cable L=8970mm	0	1	
93	10209066	Hex Nut M16	8	8	
94	10201090	Shim (1mm)	10	10	
	10620065	Shim (2mm)	10	10	
95	10209152	Tie 3*150mm	4	4	
96	10209149	Lock washer	18	18	
97	1102075001	Cable Limit Board	4	4	

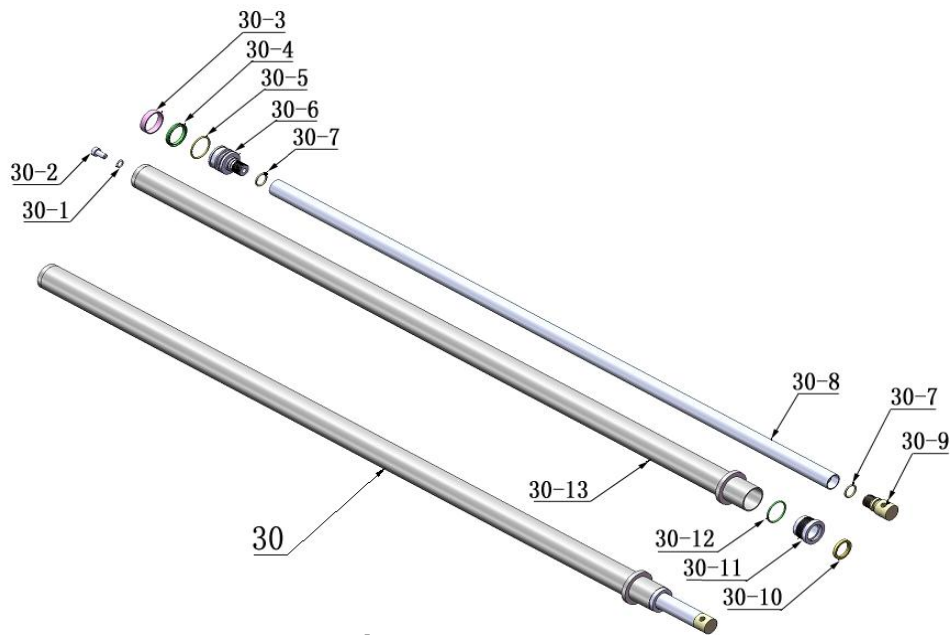
**1. Lifting arm (10203156):**



**Fig. 44**

Item	Parts#	Description	Qty.
1	10206048	Socket Bolt M10*30	12
2	10209039	Lock washer φ10	12
3	10209022	Washer φ10	12
4	11206049	Moon Gear	4
5	11203146	Outer arm	4
6	11203147	Middle arm	4
7	10201149	Cup Head bolt M8*12	8
8	11201049A	Inner Arm	4

## 2. Cylinders (10217056)



**Fig. 45**

Item	Parts#	Description	Qty.
30-1	10209069	O-Ring	2
30-2	10209070	Bleeding Plug	2
30-3	10209071	Support Ring	2
30-4	10209072	Y-Ring	2
30-5	10209073	O-Ring	2
30-6	11209074	Piston	2
30-7	11209075	O-Ring	2
30-8	11217076	Piston Rod	2
30-9	11209077	Piston Rod Fitting	2
30-10	10209078	Dust Ring	2
30-11	11209079	Head Cap	2
30-12	10209080	O-Ring	2
30-13	11209081A	Bore Weldment	2

### 3. Manual Power Unit (81513001/81513002) exploded view:

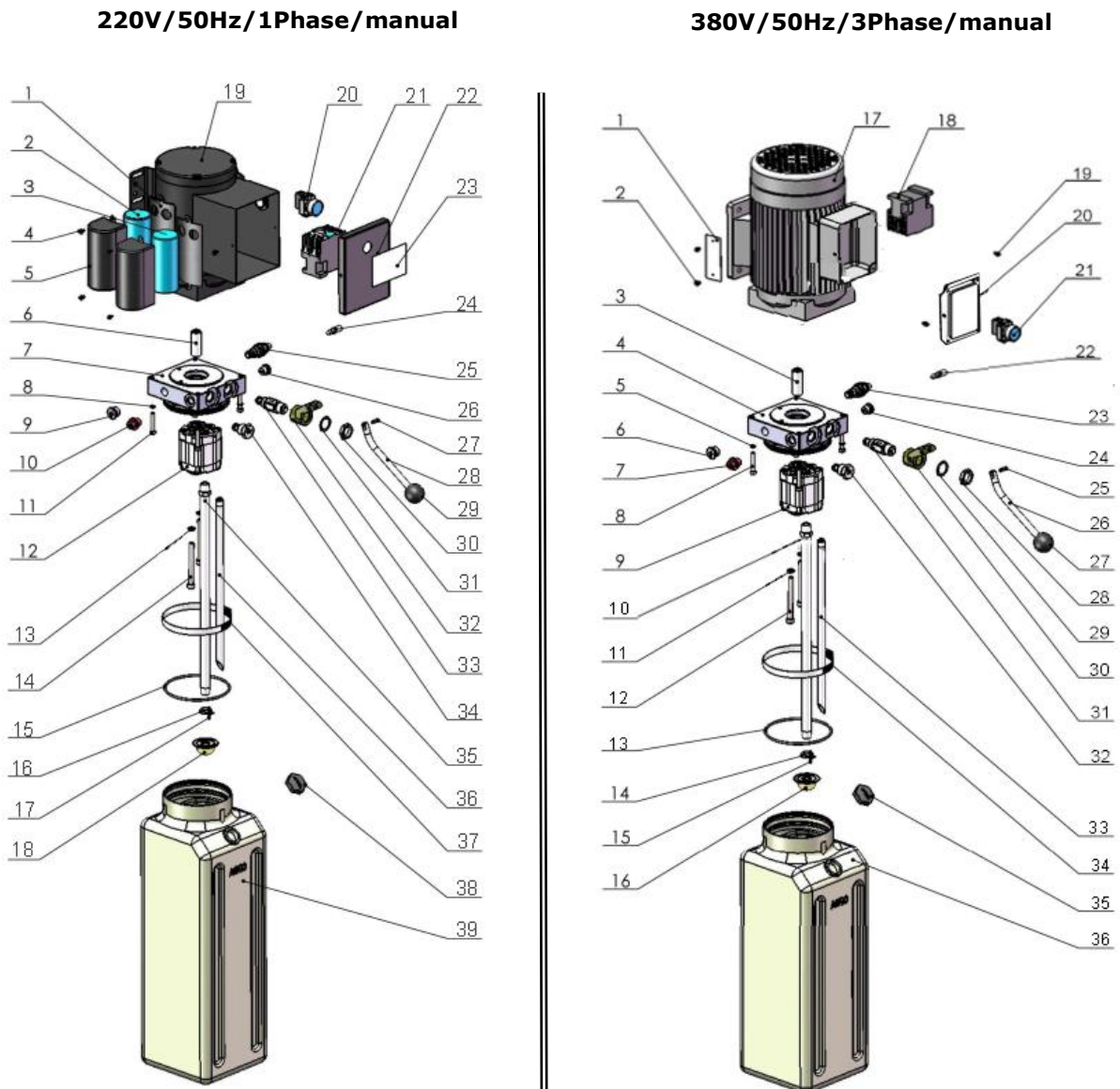


Fig. 46

#### Part list for 220V/50HZ/1phase

Item	Parts#	Description	Qty.
1	81400180	Rubber Pad	2
2	81400250	Start Capacitor	1
3	81400200	Running Capacitor	1
4	10420148	Cup head bolt	6
5	81400066	Capacitor Cover	2
6	81400363	Motor Connecting Shaft	1
7	80101013	Manifold Block	1
8	10209149	Spring Washer	4
9	81400276	Iron plug	1
10	81400259	Red Plastic plug	1
11	85090142	Socket Bolt	4
12	81400280	Gear Pump	1
13	10209034	Spring Washer	2

<b>Item</b>	<b>Parts#</b>	<b>Description</b>	<b>Qty.</b>
14	81400295	Socket Bolt	2
15	81400365	O Ring	1
16	10209152	Tie	1
17	85090167	Magnet	1
18	81400290	Filter	1
19	81400413	Motor	1
20	10420070	Push Button	1
21	41030055	Ac Contactor	1
22	81400528	Motor wire connecting cover	1
23	71111170	AMGO Name Plate	1
24	81400560	Throttle valve	1
25	81400266	Relief Valve	1
26	81400284	Socket Plug	1
27	10720118	Pin	1
28	81400451	Release Valve Handle	1
29	10209020	Plastic Ball	1
30	81400421	Reelase Valve Nut	1
31	81400422	Self Locking Nut	1
32	81400449	Vavle Seat (Short)	1
33	81400567	Release Vavle	1
34	81400566	Check Valve	1
35	81400288	Oil suction hose	1
36	81400289	Oil return hose	1
37	81400364	Clamp	1
38	81400263	Oil tank cover	1
39	81400275	Oil tank	1

**Part list for 380V/50HZ/3phase**

<b>Item</b>	<b>Parts#</b>	<b>Description</b>	<b>Qty.</b>
1	71150055	AMGO Name plate	1
2	81400300	Cuphead Bolt	2
3	81400363	Motor Connecting Shaft	1
4	81400362	Manifold Block	1
5	10209149	Spring Washer	4
6	81400276	Iron Plug	1
7	81400259	Red Plastic Plug	1
8	85090142	Socket Bolt	4
9	81400292	Gear Pump	1
10	81400288	Oil suction hose	1
11	10209034	Spring Wahser	2
12	81400295	Socket Bolt	2
13	81400365	O Ring	1
14	10209152	Tie	1
15	85090167	Magnet	1
16	81400290	Filter	1
17	81400439	Motor	1
18	81400348	AC Contactor	1
19	10420148	Cup Head Bold	2

Item	Parts#	Description	Qty.
20	81400481	Terminal Box For Motor	1
21	10420070	Push Button	1
22	81400560	Throttle valve	1
23	81400266	Relief Valve	1
24	81400284	Plug	1
25	81400452	Pin	1
26	81400451	Release Valve Handle	1
27	10209020	Plastic Ball	1
28	81400421	Release Valve Nut	1
29	81400422	Self Locked washser	1
30	81400449	Valve Seat	1
31	81400567	Release Valve	1
32	81400566	Check Valve	1
33	81400289	Oil Return Hose	1
34	81400364	clamp	1
35	81400263	Oil tank cover	1
36	81400275	Oil tank	1

#### 4. Illustration of hydraulic valve for hydraulic power unit

