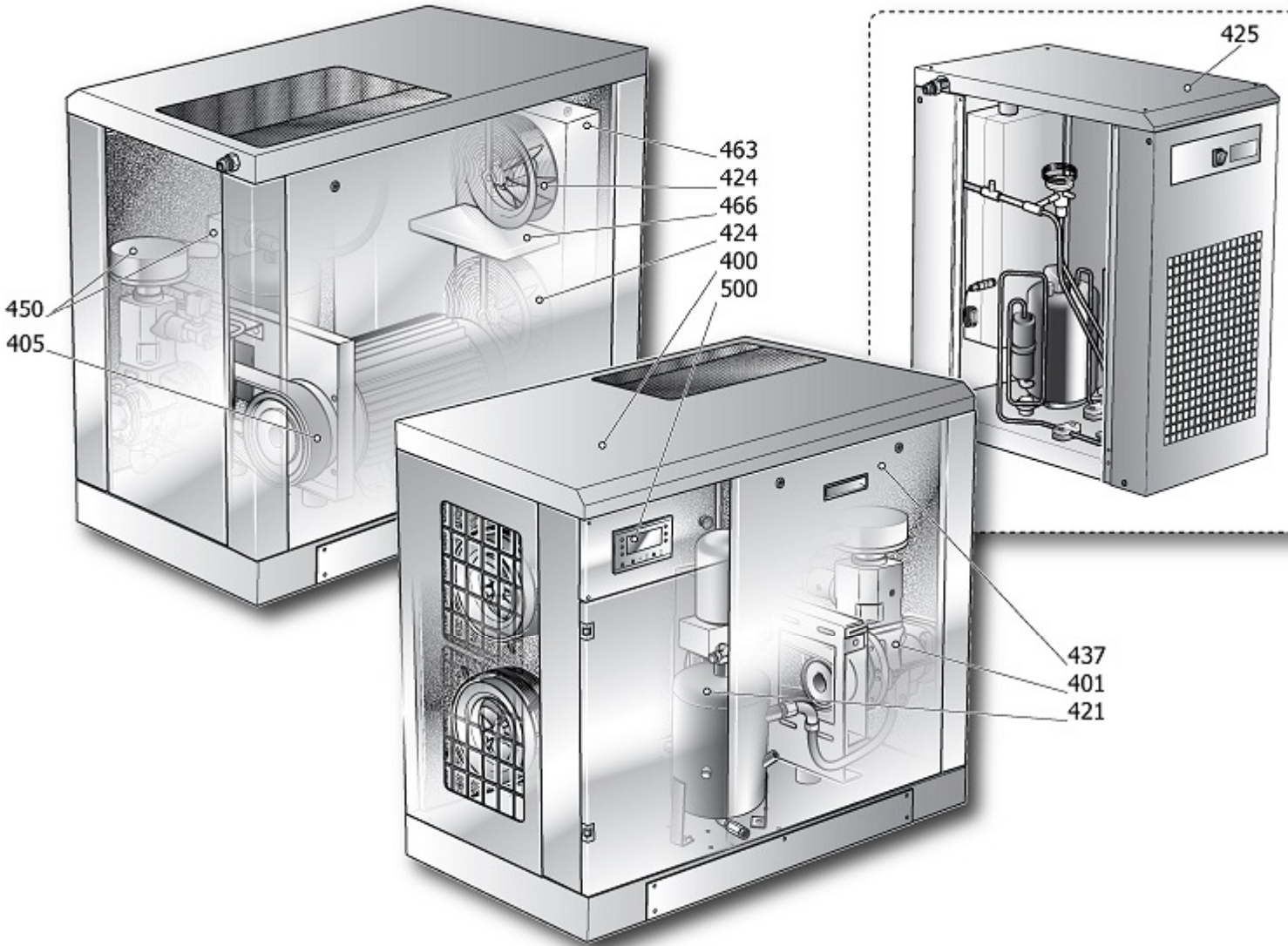


SQAR1



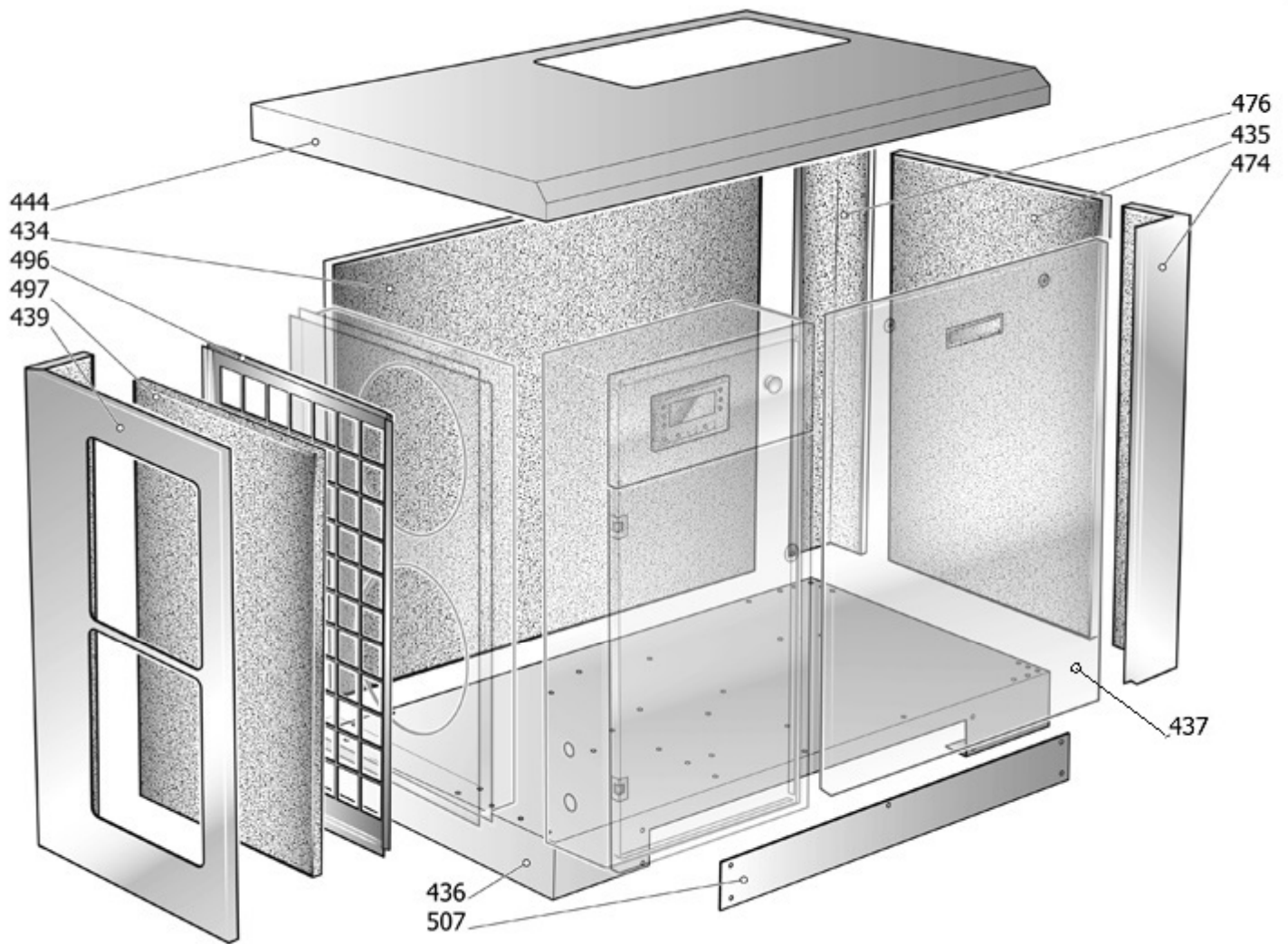


# V60QE92FNM760

PLUS 22-10 (IE3)

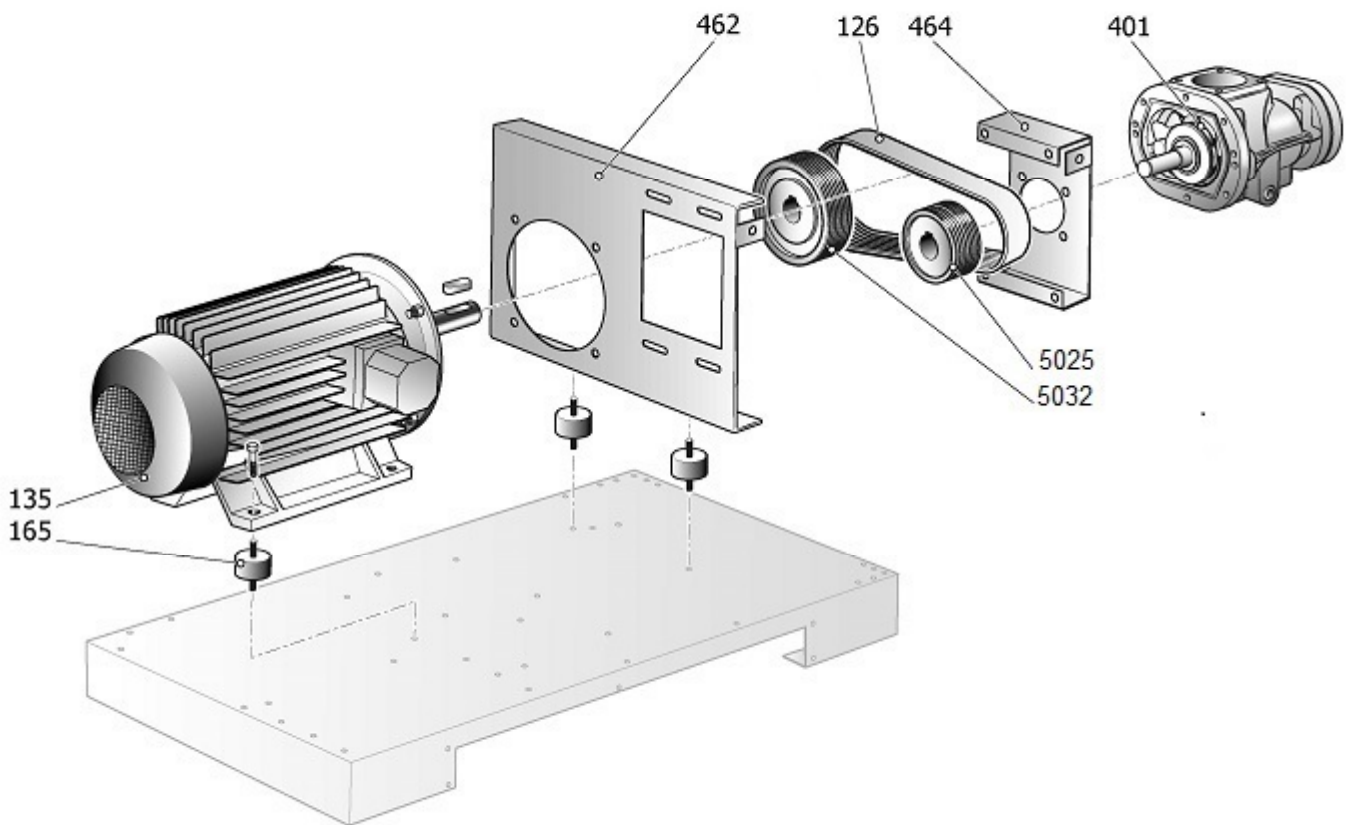
Pos	Component	MU	Multiplier
400	COMPLETE HOUSING		
405	TRANSMISSION COMPONENTS		
450	COMPRESSOR COMPONENT		
600	#460QD0500V44 ELECTRIC CABINET	PZ	1,0
1000	LONG LIFE KIT LIST		

MQAR1

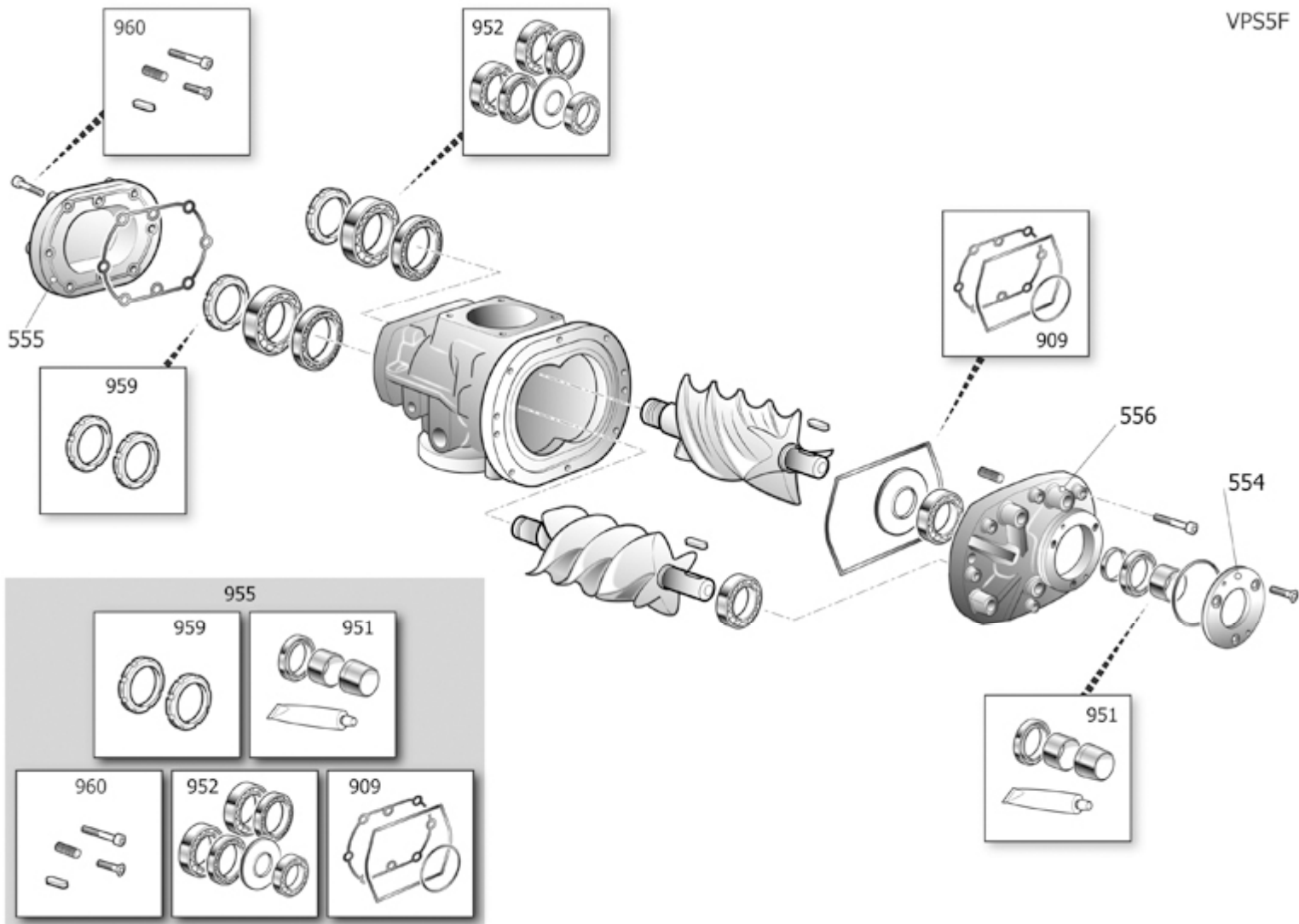


Pos	Component	MU	Multiplier
434	#_260QQ0009V44 REAR PANEL	PZ	1,0
435	#_260QQ0003V44 RH REAR PANEL	PZ	1,0
436	#160QQ0105V44 BASE PLATE	PZ	1,0
437	#260QQ0013V60 FRONT DOOR	PZ	1,0
439	#_260QQ0004V44 LH REAR PANEL	PZ	1,0
444	#_260QQ0006V44 UPPER PANEL	PZ	1,0
474	#_260QQ0007V44 FRONT POST RH	PZ	1,0
476	#_260QQ0008V44 REAR POST RH	PZ	1,0
496	#_160QQ0002V44 FAN GRILLE	PZ	1,0
497	#160QQ0094 PREFILTER	PZ	1,0
507	#160GB0011V44 CONNECTION PLATE	PZ	2,0

TQER1



Pos	Component	MU	Multiplier
126	#045217000 POLY V BELT	PZ	1,0
135	#540Q047622E3 MOTOR	PZ	1,0
165	#020194010 ANTIVIBR.D60X45 MM10X46 60SH	PZ	4,0
401	#5304000110 AIR END	PZ	1,0
462	#160QE0005V44 SCREW-MOTOR PLATE	PZ	1,0
464	#160QB0001V44 SCREW PLATE	PZ	1,0
5025	#140266004 PULEGGIA 170-L8-38+BC2517	PZ	1,0
5032	#140441004 PULEGGIA 250-L8-42+BC2517	PZ	1,0



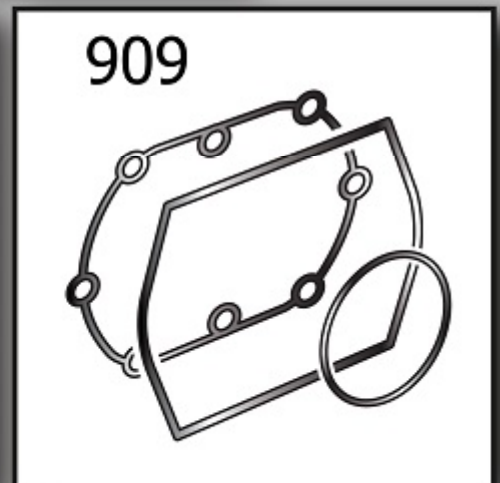
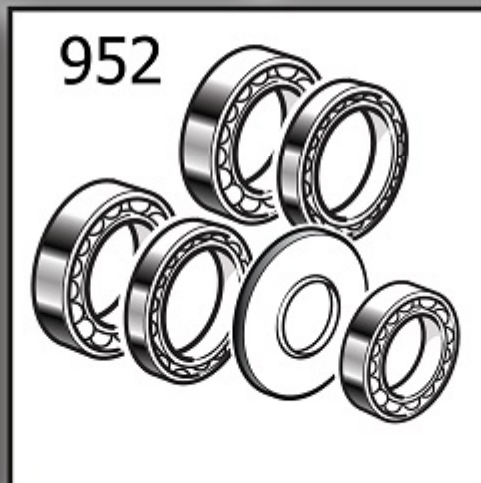
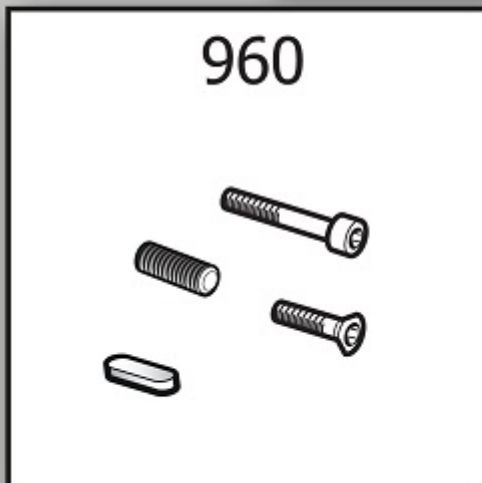
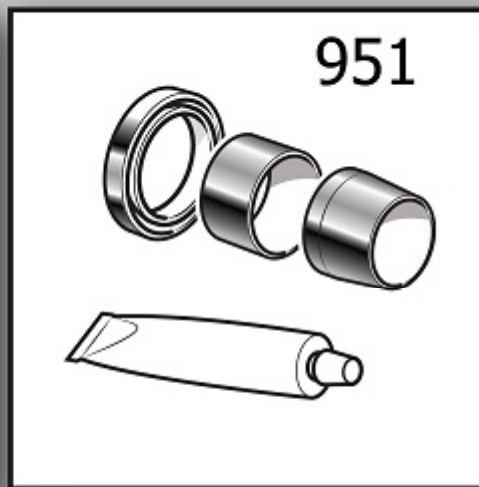
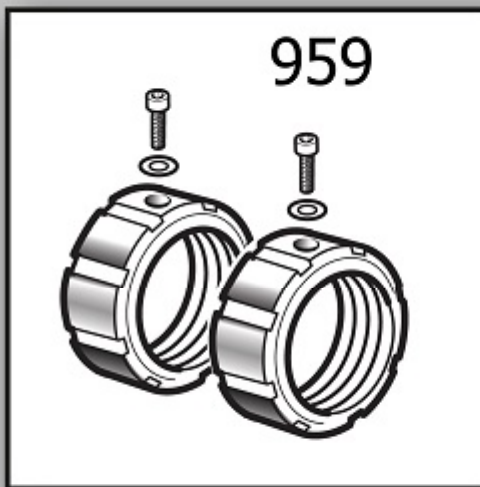


[5304000110

AIR END

Pos	Component		MU	Multiplier
554	#130400013	SEAL SUPPORT	PZ	1,0
555	#130400003	REAR COVER	PZ	1,0
556	#130400015	BELL/FRONT SUPPORT	PZ	1,0
955	#230400201	AIR END OVERHAUL KIT	PZ	1,0

955



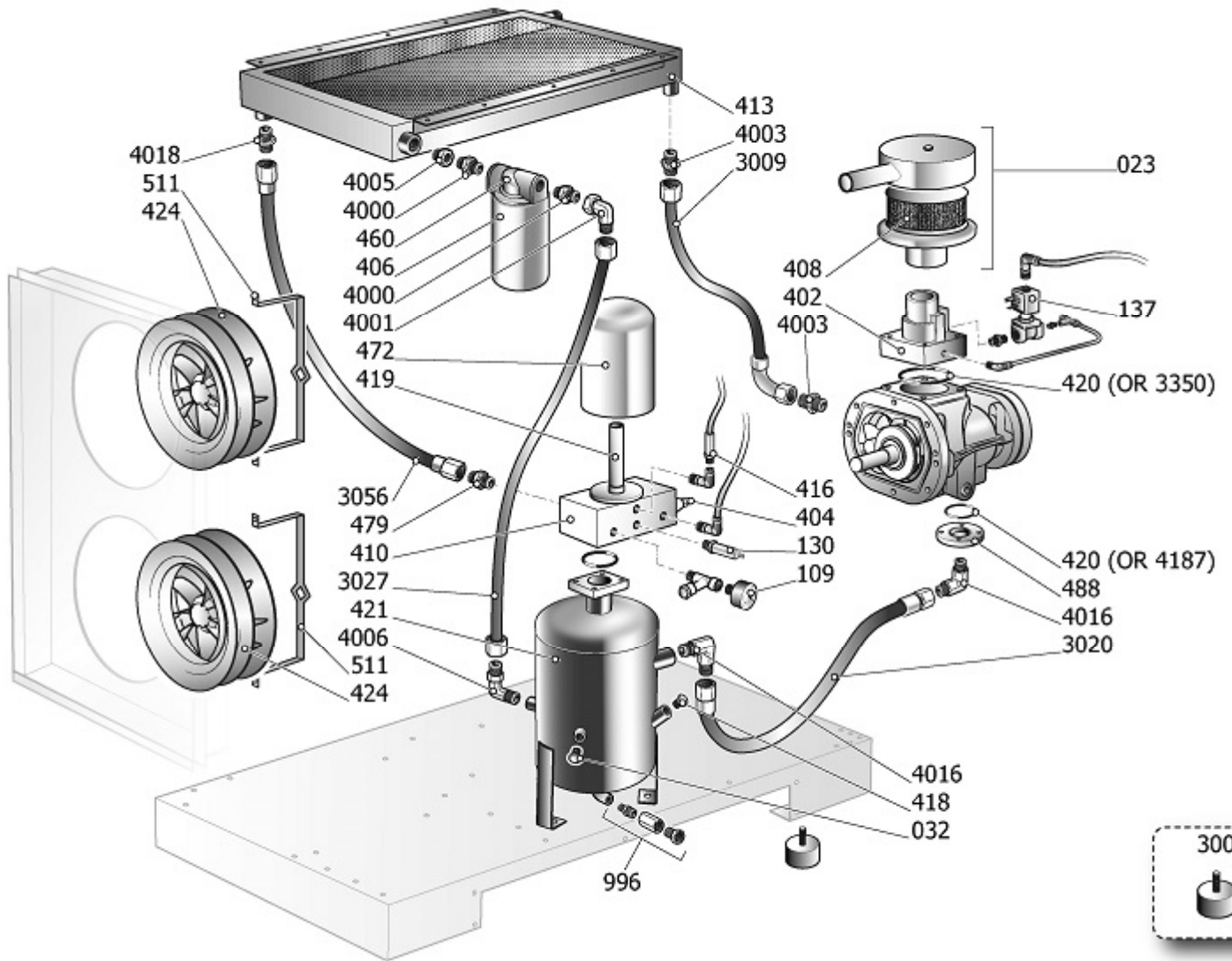


[230400201

AIR END OVERHAUL KIT

Pos	Component		MU	Multiplier
909	#230400250	KIT GUARNIZ. FS50TF/TFC/TM/TMC	PZ	1,0
951	#230400241	SEAL KIT	PZ	1,0
952	#230400230	BEARING KIT	PZ	1,0
959	#230400210	RING NUT KIT	PZ	1,0
960	#230400220	BOLTS AND SCREWS KIT	PZ	1,0

LQER1



Pos	Component	MU	Multiplier
23	#317101000	AIR FILTER ASSEMBLY	PZ 1,0
32	#012088000	OIL LIGHT	PZ 1,0
92	#010082000	COVER SEAL	PZ 1,0
109	#330060100	PRESSURE GAUGE	PZ 1,0
127	9270046	RILSAN PIPE 4/6 BLK IT PA12_LC	MT 0,9
130	9049309	RELIEF VALVE	PZ 1,0
406	9054201	OIL FILTER	PZ 1,0
408	#017101000	AIR FILTER CARTRIDGE 8UM D210	PZ 1,0
410	#160150010	AIR-OIL SEPARATOR BLOCK	PZ 1,0
413	#048534000	AIR-OIL RADIATOR	PZ 1,0
416	#012120000	OIL LIGHT	PZ 1,0
418	#011999008	TAPPO ESAG.M3/4" C/SFIATO+GRN	PZ 1,0
419	\$14402950	AIR-OIL SEPARATOR NIPPLE	PZ 1,0
420	#010090000	O RING 4250 VITON	PZ 1,0
420	#010158000	O RING 3156 VITON	PZ 1,0
421	#160SV0002V41	OIL SEPARATOR TANK	PZ 1,0
424	#024118015	ELECTRIC FAN	PZ 2,0
460	#160JL0111	OIL FILTER HEAD	PZ 1,0
463	#160QQ0010V44	FAN COVER	PZ 1,0
472	#048353000	SEPARATOR FILTER	PZ 1,0
484	4101206	UNION TEE R3/8	PZ 1,0
488	#160KE0011	FLANGE, DELIVERY END	PZ 1,0
511	#160PU0118V44	STAFFA SUP.VENT.RAD.D280 7016B	PZ 2,0
513	#_160SY0048V44	PARATIA SEP.VENT.STAR25 7016B	PZ 1,0
705	#419260164SGL	GR.ASP.30DC-24V C/R (1,7) S/BP	PZ 1,0
996	9421773	KIT RUB.SCARICO DIS.1/2"	PZ 1,0
3009	#191PC0020	HYDRAULIC HOSE BSP G1/2x710	PZ 1,0
3020	#160NM0014	DELIVERY OIL TUBE FF1" TANK SE	PZ 1,0
3027	#160QQ0091	TUBO FLX 1/2 BSP 2FD L705	PZ 1,0
3056	#160QQ0092	TUBO FLX 1" BSP 2FD L645	PZ 1,0
4000	#011000415	RACC.ADT.MM 1/2"X3/4" BSP	PZ 1,0
4001	#011000407	RACC.ADT.90\$GIR MM1/2"X3/4"+OR	PZ 1,0
4003	#011000417	RACC.ADT.MM 1/2" OR-BSP	PZ 2,0
4005	#011100002	RACC.ADT.MF 1/2" GIR	PZ 1,0
4006	#011000411	RACC.ADT.90\$MM 1/2"OR-BSP	PZ 1,0
4016	#011443000	L FITTING MM R1+OR VITON	PZ 2,0
4018	#011730000	NIPPLE 1"+OR	PZ 1,0
4054	#011729000	NIPPLE 1"X1--1/4"+OR	PZ 1,0



[419260164SGL

GR.ASP.30DC-24V C/R (1,7) S/BP



[419260164SGL

GR.ASP.30DC-24V C/R (1,7) S/BP

Pos	Component	MU	Multiplier
137	#008195120 SOLENOID VALVE	PZ	1,0
700	#199260001 AIR INTAKE VALVE	PZ	1,0
703	#199260020 FLANGE AIR FILTER IR30DC D50	PZ	1,0
957	#260260050 INTAKE VALVE KIT	PZ	1,0



9421773

KIT RUB.SCARICO DIS.1/2"

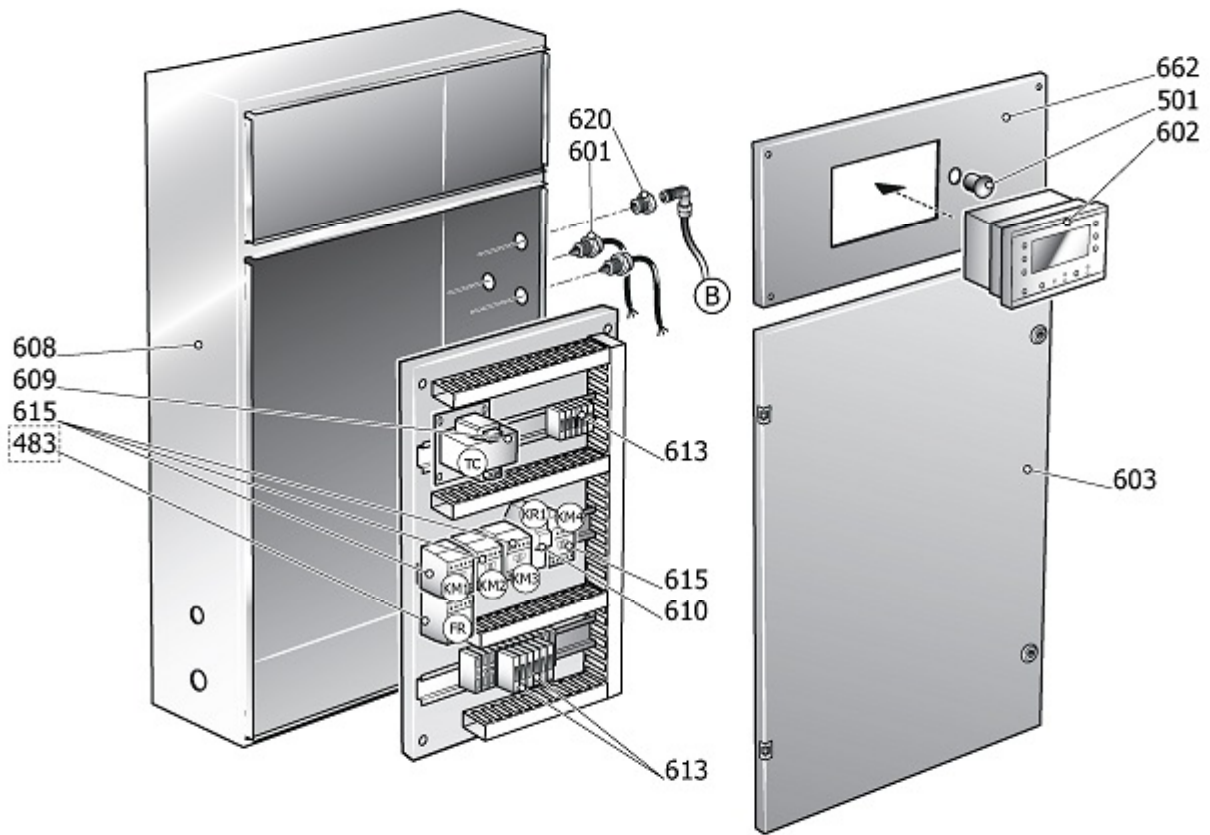


9421773

KIT RUB.SCARICO DIS.1/2"

Pos	Component		MU	Multiplier
60	9417355	COVER SEAL	PZ	1,0
106	#322056010	LINE COCK	PZ	1,0
417	#012122000	OIL PLUG	PZ	1,0
479	4106488	NIPPLE G1/2 GF280	PZ	1,0
4012	#011000409	RACC.ADT.MM 1/2" CON-BSP	PZ	1,0

EPZR1



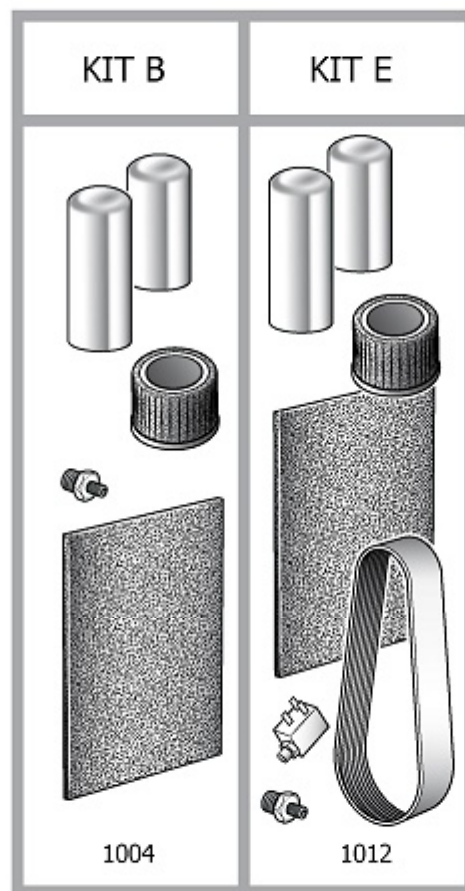


[460QD0500V44

ELECTRIC CABINET

Pos	Component	MU	Multiplier
483	#008467000	THERMAL CUTOUT	PZ 1,0
601	#008333000	TEMP. PROBE	PZ 1,0
602	#305420000SGL	CONTROLLER	PZ 1,0
603	#260SY0074V44	ELECTRIC COMPT. DOOR	PZ 1,0
608	#160SY0072V44	ELECTRIC COMPARTMENT	PZ 1,0
609	E0M14160324	TRANSFORMER	PZ 1,0
610	E0M040004	PHASE SEQUENCE RELAY	PZ 1,0
613	E0M11WEBGG01	FUS.1A GG 10X38 CH10	PZ 2,0
613	E0M11WEBGG02	FUS.10X38-2A CH10	PZ 6,0
613	E0M11WEBGG06	FUS.10X38-6A CH10	PZ 2,0
615	#005634000	CNT.S0 25A 24V 3RT2026-1AC20	PZ 1,0
615	E0M013210	CNT.S00 9A 24V 3RT2016-1AB02	PZ 1,0
615	E0M013665	CNT.S0 32A 24V 3RT2027-1AC20	PZ 2,0
620	#008167010	TRANSDUCER	PZ 1,0
662	#260QQ0012V44	CONTROL.FRAME ETIV	PZ 1,0

LLK36





## LONG LIFE KIT LIST

<b>Pos</b>	<b>Component</b>		<b>MU</b>	<b>Multiplier</b>
1004	#260KTB03E	LLK A BELT 18.5-22	PZ	1,0
1012	#260KTE10E	LLK B BELT PL 22 8/10B	PZ	1,0