

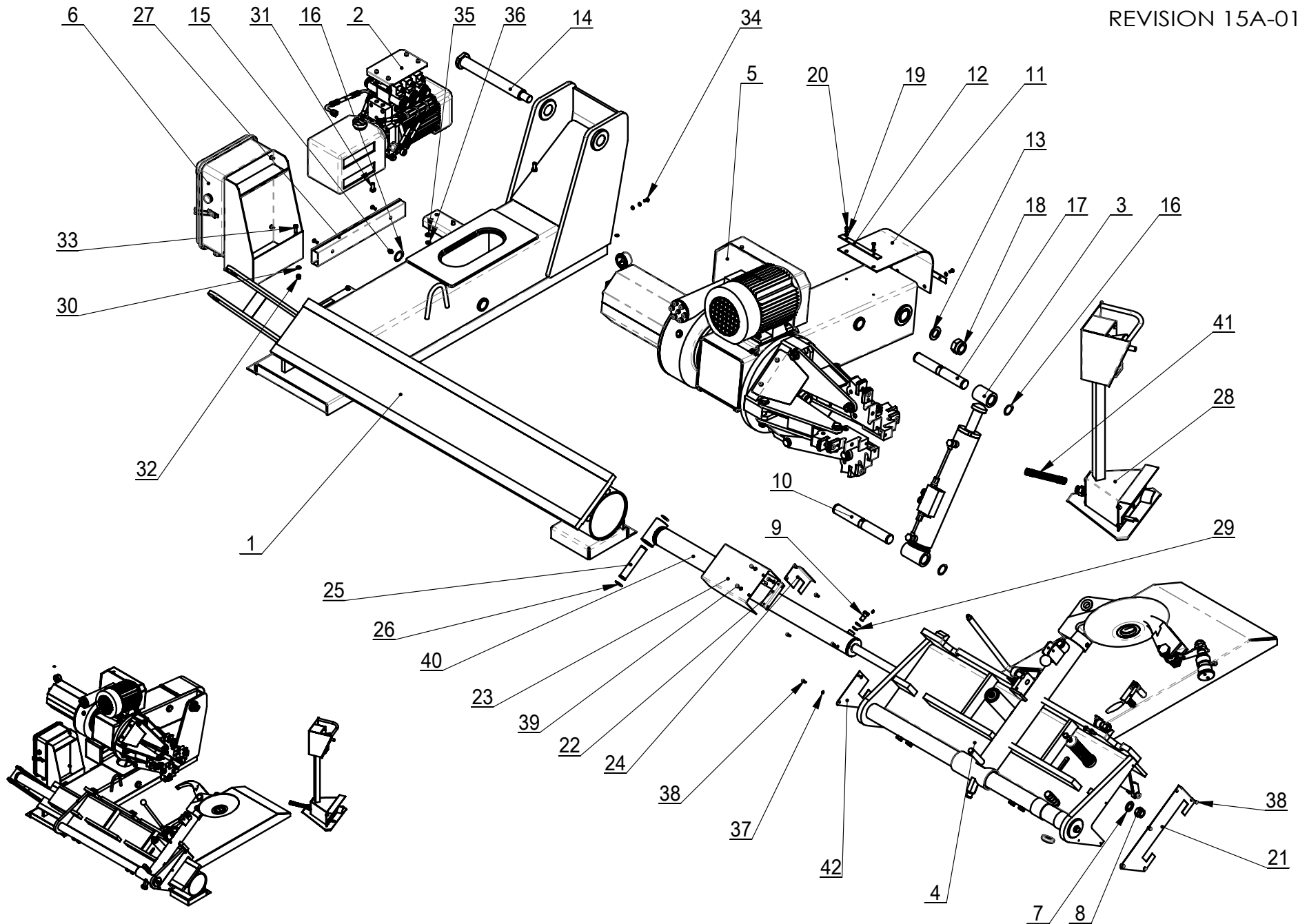
# Exploded Drawing



TR56

REVISION 15A-01

TC-21-100000



## TC-21-1000000

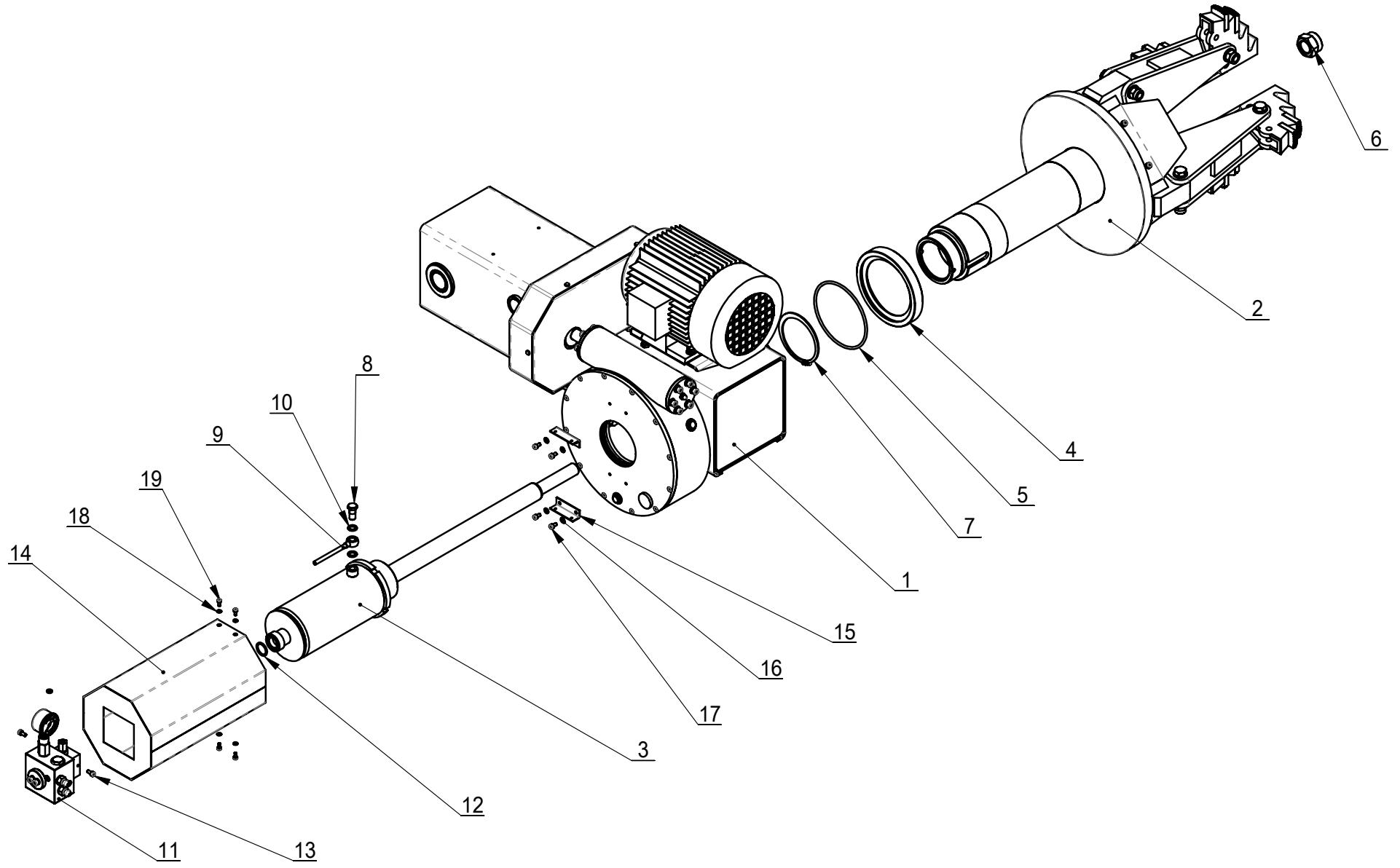
REVISION 15A-01

| ITEM | PART. No         | DESCRIPTION.                        | QT |
|------|------------------|-------------------------------------|----|
| 1    | TC-21-1100000    | BODY ASSEMBLE WELDING               | 1  |
| 2    | TC-21-1030000    | HYDRAULIC STATION ASSEMBLY          | 1  |
| 3    | TC-21-1600000    | VERTICAL MOVEMENT OIL TANK ASSEMBLY | 1  |
| 4    | TC-21-1300000    | tool arm and trailer assembly       | 1  |
| 5    | TC-21-1200000    | main shaft clamping part            | 1  |
| 6    | TC-21-1500000    | electric cabinet                    | 1  |
| 7    | GB95-20          | FLAT WASHER                         | 1  |
| 8    | GB889. 2-M20×1.5 | LOCK NUT                            | 1  |
| 9    | TC-20-1400006    | JOINT                               | 2  |
| 10   | TC-21-1000001    | OIL TANK HANGING SHAFT              | 1  |
| 11   | TC-20-1000009    | RUBBER PLATE                        | 1  |
| 12   | TC-20-1000010    | PRESS PLATE                         | 2  |
| 13   | GB95-30          | FLAT WASHER                         | 1  |
| 14   | TC-21-1010000    | LIFT ARM ROTATION SHAFT             | 1  |
| 15   | TC-40-1200023    | OIL FILLING NOZZLE                  | 2  |
| 16   | GB894. 1-35      | RETAINING RING                      | 4  |
| 17   | TC-20-1000003    | OIL TANK HANGING SHAFT              | 1  |
| 18   | GB889. 2-M27×2   | LOCK NUT                            | 1  |
| 19   | GB95-6           | FLAT WASHER                         | 6  |
| 20   | GB5783-M6×12     | BOLT                                | 4  |
| 21   | TC-21-1000002    | guide rail retaining plate          | 1  |
| 22   | TC-21-1000004    | cover fix angle iron                | 1  |
| 23   | TC-21-1000005    | trailer oil tank cover              | 1  |
| 24   | TC-21-1000006    | guide rail retaining plate          | 1  |
| 25   | TC-21-1000007    | LONG PIN SHAFT                      | 1  |
| 26   | GB894. 1-25      | RETAINING RING                      | 2  |
| 27   | TC-10-1000026    | WIRING CHANNEL 60*30                | 1  |
| 28   | TC-10-1B00000    | CONSOLE                             | 1  |
| 29   | JB982-14         | SEALING COMPOUND                    | 4  |
| 30   | GB95-8           | FLAT WASHER                         | 8  |
| 31   | GB5783- M10×25   | BOLT                                | 2  |
| 32   | GB889. 1-M8      | LOCKNUT M8                          | 4  |
| 33   | GB5783- M8×25    | BOLT                                | 4  |
| 34   | GB818-M6×16-H    | SCREW                               | 3  |
| 35   | GB95-10          | FLAT WASHER                         | 2  |
| 36   | GB93-10          | SPRING WASHER                       | 2  |
| 37   | GB95-5           | flat washer                         | 13 |

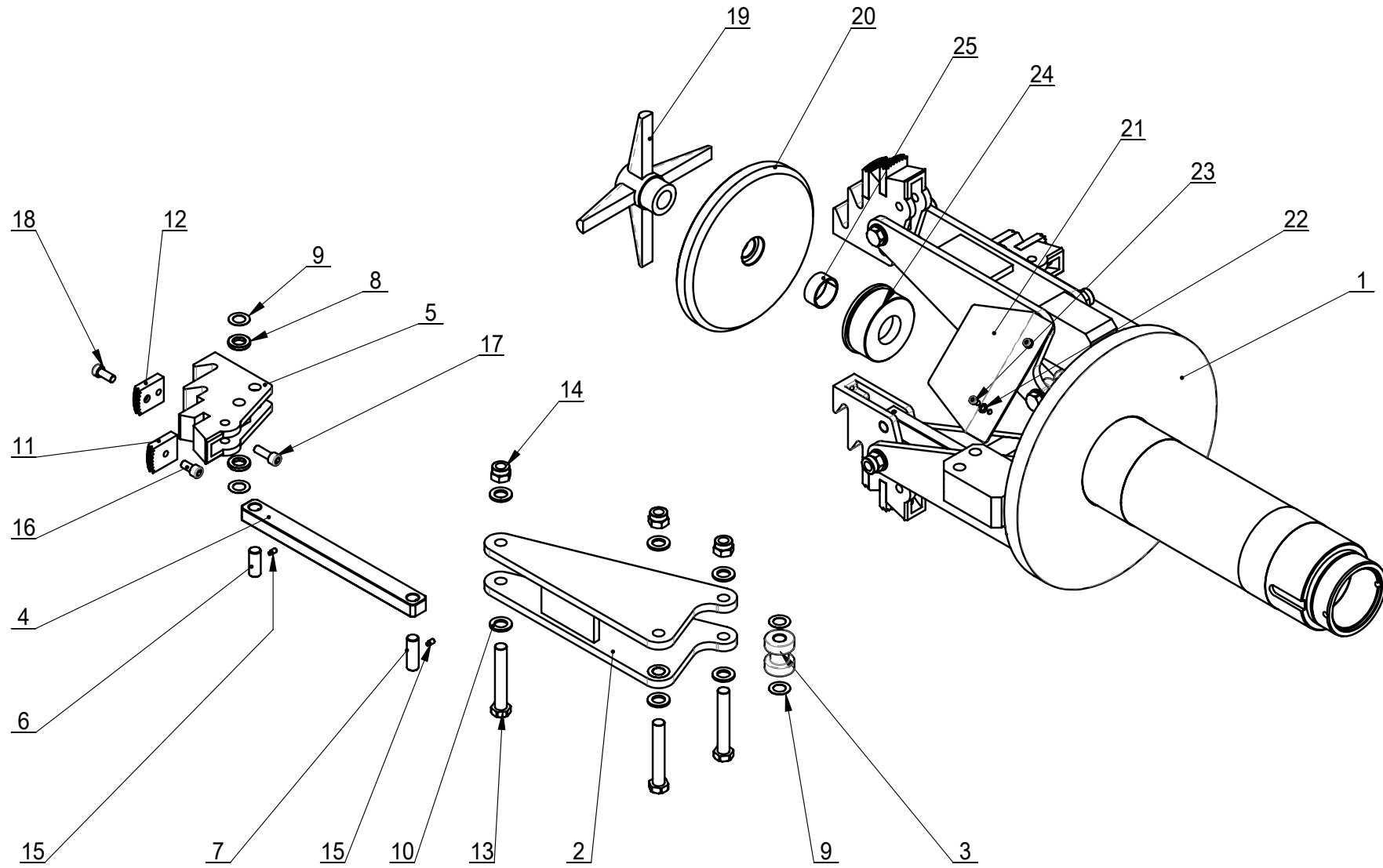


REVISION 15A-01

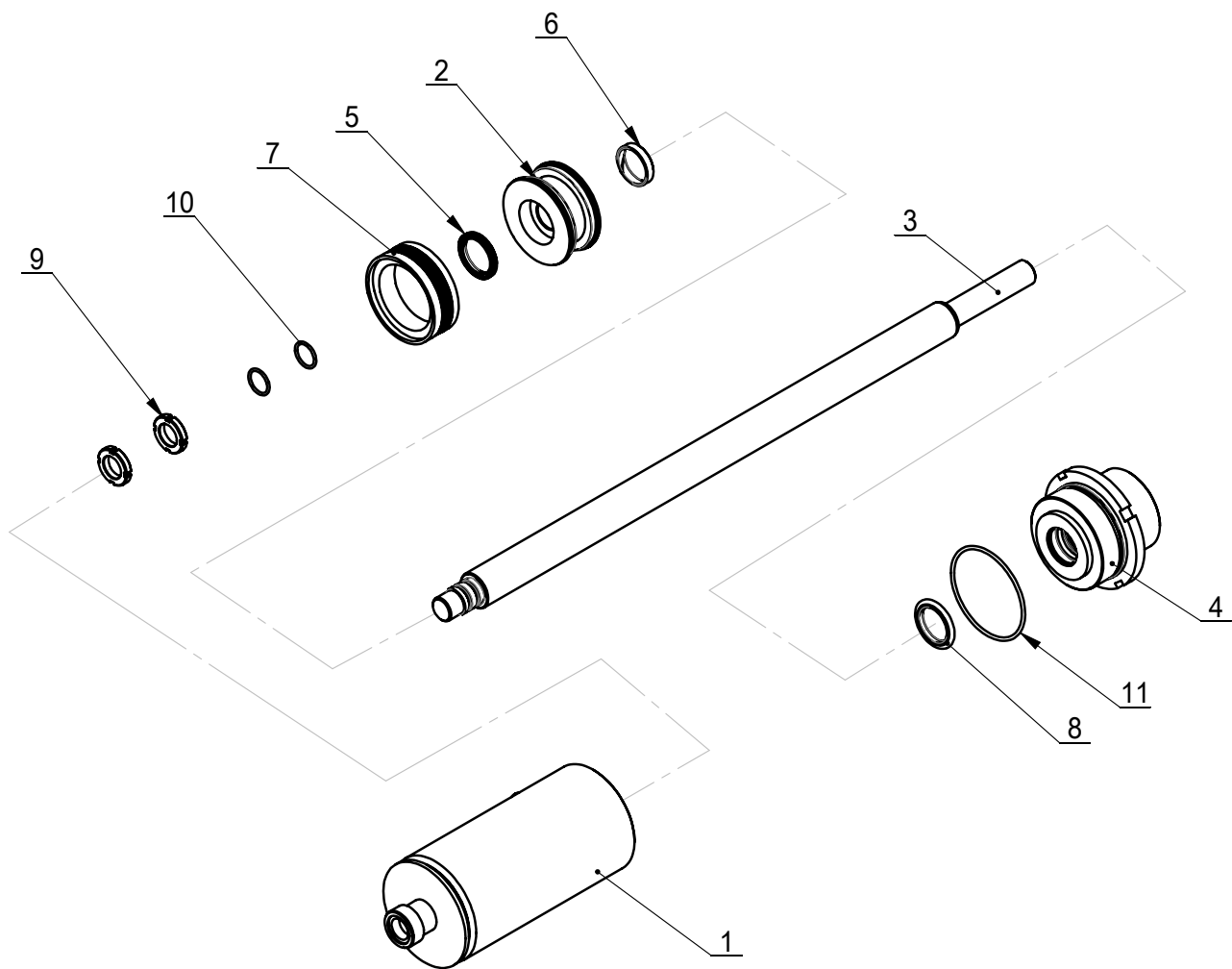
TC-21-1200000



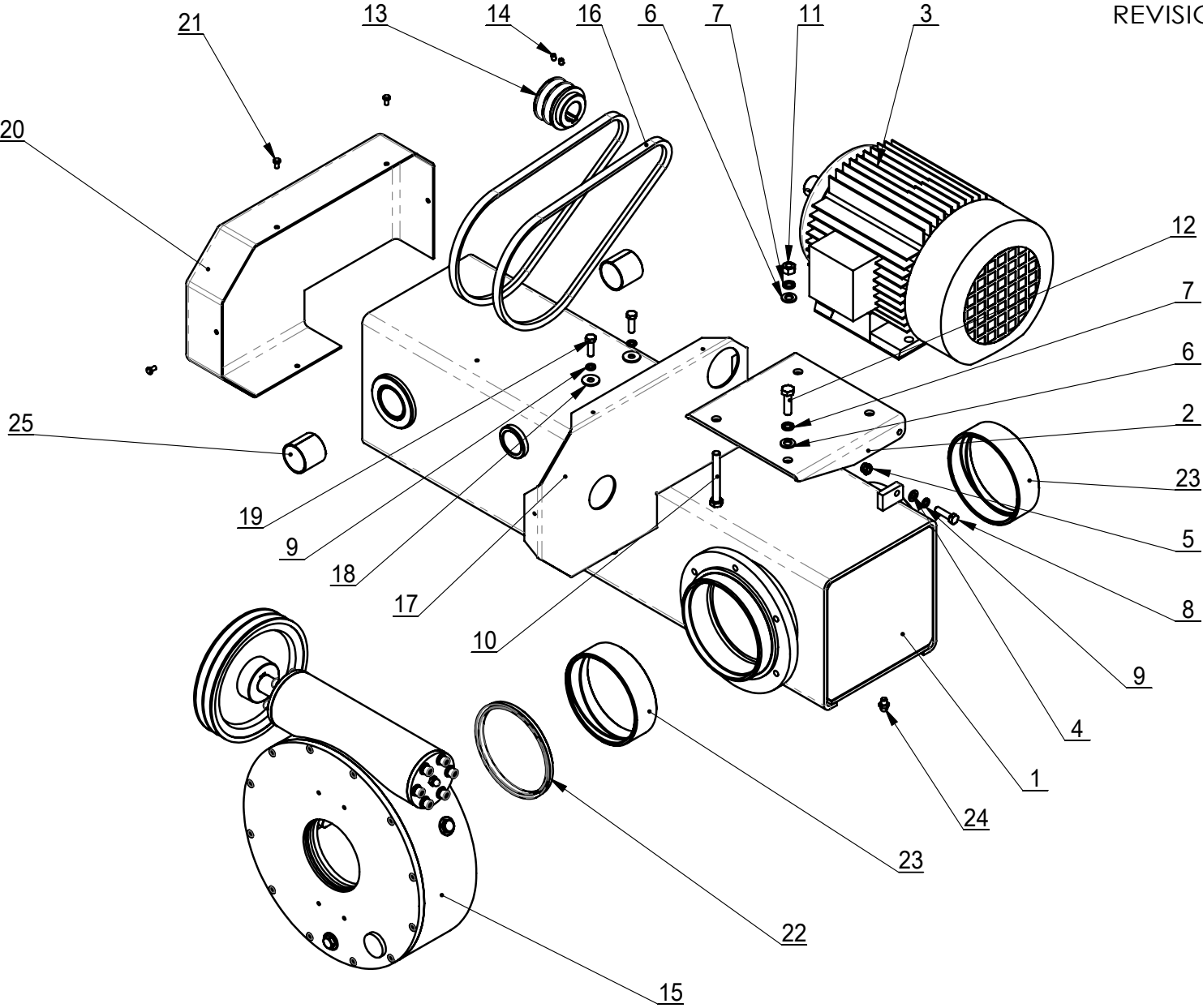








| ITEM | PART.No             | DESCRIPTION.                             | QT |
|------|---------------------|--|----|
| 1    | TC-21-1221000       | MAIN SHAFT OIL TANK BODY                 | 1  |
| 2    | TC-21-1220003       | PISTON                                   | 1  |
| 3    | TC-21-1220002       | PISTON ROD                               | 1  |
| 4    | TC-21-1220001       | OIL TANK FRONT COVER                     | 1  |
| 5    | TC-21-1220005       | SUPPORT RING                             | 1  |
| 6    | TC-21-1220006       | WEAR-RESISTENCE RING GT-9.7B             | 1  |
| 7    | TC-20-1310009       | SEALING RING                             | 1  |
| 8    | TC-21-1220004       | C141 RING 35x42.2X4                      | 1  |
| 9    | GB810-M27×1.5       | SMALL CIRCULAR NUT                       | 2  |
| 10   | GB3452.1-25×2.65-G  | HYDRAULIC-PNEUMATIC RUBBER O-RING G TYPE | 2  |
| 11   | GB3452.1-100×3.55-G | HYDRAULIC-PNEUMATIC RUBBER O-RING G TYPE | 1  |



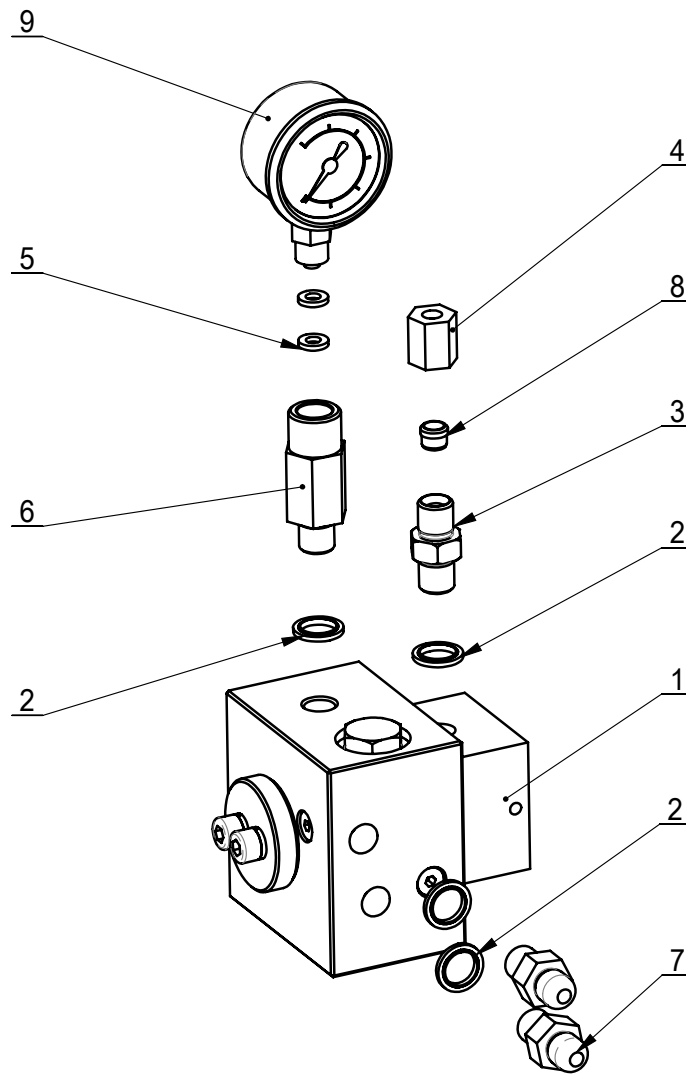




## TC-21-1231000

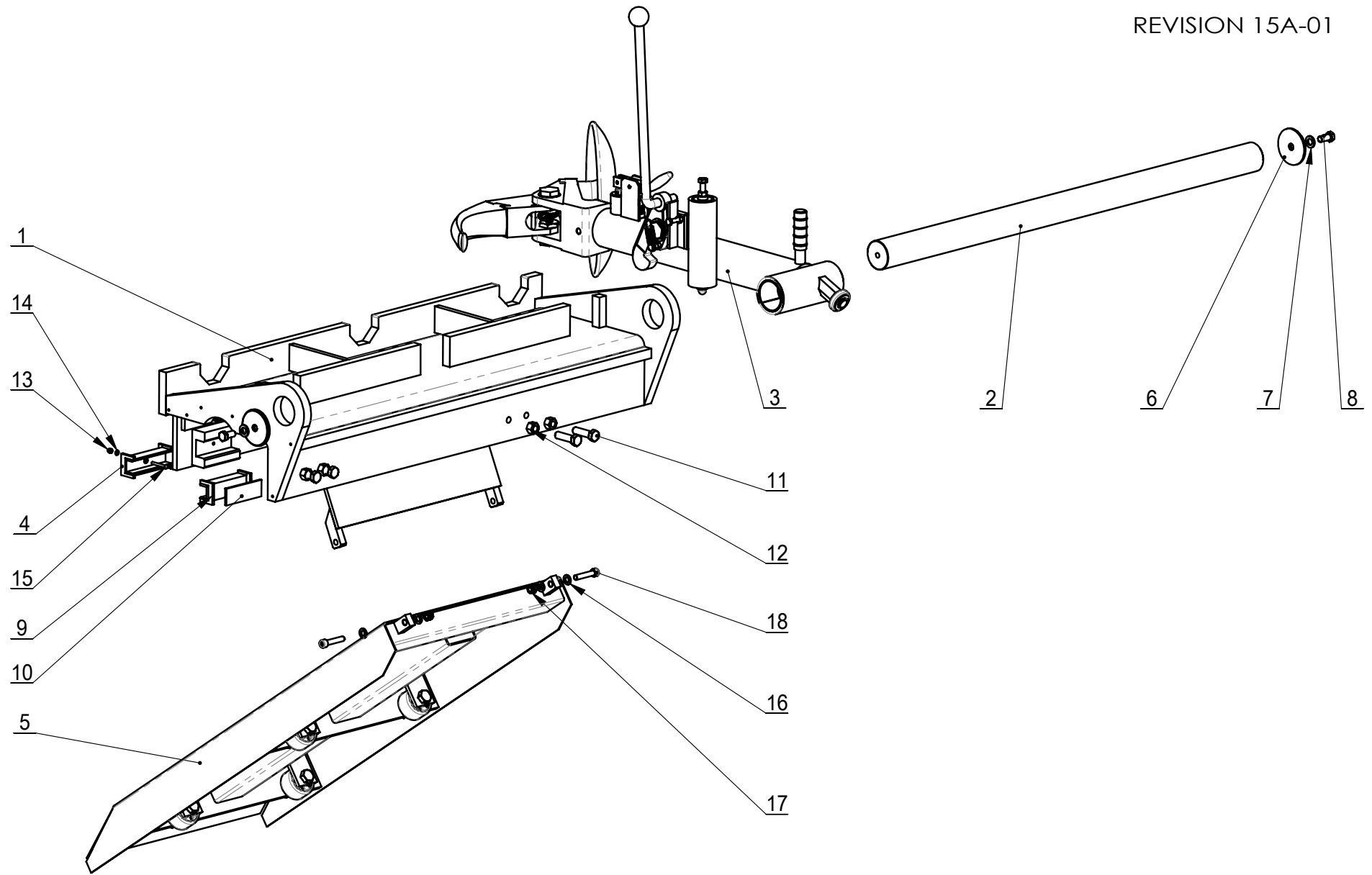
REVISION 15A-01

| ITEM | PART. No            | DESCRIPTION.                      | QT |
|------|---------------------|-----------------------------------|----|
| 1    | TC-20-1230001       | GEARBOX                           | 1  |
| 2    | TC-20-1230002       | GEARBOX REAR COVER                | 1  |
| 3    | TC-20-1230003       | GEARBOX FRONT COVER               | 1  |
| 4    | TC-20-1230004       | WORM ROD                          | 1  |
| 5    | TC-21-1231001       | GEARBOX REAR COVER                | 1  |
| 6    | TC-20-1230007       | WORM                              | 1  |
| 7    | GB3452.1-109×3.55-G | HYDRAULIC-PNEUMATIC RUBBER O-RING | 1  |
| 8    | TC-20-1230009       | LARGE PULLEY                      | 1  |
| 9    | TC-10-1400014       | OIL DISPLAY M27X1.5               | 1  |
| 10   | GB93-8              | STANDARD SPRING WASHER            | 13 |
| 11   | GB70.1-M6×25        | INNER HEXA CYLINDRICAL SCREW      | 12 |
| 12   | TC-10-1400015       | SEALING WASHER W42X25X7           | 1  |
| 13   | GB95-8              | FLAT WASHER                       | 13 |
| 14   | TC-20-1230010       | RETAINING RING                    | 1  |
| 15   | GB1096-8×7×36       | COMMON FLAT KEY                   | 1  |
| 16   | TC-10-1400008       | PAPER WASHER                      | 2  |
| 17   | GB297-30205         | CYLINDRICAL BALL BEARING          | 2  |
| 18   | TC-40-1200023       | OIL FILLING NOZZLE                | 1  |
| 19   | GB70.1-M8×30        | INNER HEXA CYLINDRICAL SCREW      | 12 |
| 20   | GB1096-16×10×50     | COMMON FLAT KEY                   | 2  |
| 21   | TC-20-1230012       | PAD                               | 1  |
| 22   | GB5783-M10×45       | HEXANGULAR BOLT                   | 6  |
| 23   | TC-10-1400013       | BOLT                              | 2  |
| 24   | GB - 13.2×2.65-G    | O-RING G 13.2×2.65-G              | 2  |
| 25   | GB3452.1 300x2.65   | RING                              | 1  |
| 26   | GB5783- M8×25       | HEXANGULAR BOLT                   | 1  |
| 27   | TC-20-1230013       | PAD                               | 1  |
| 28   | TC-20-1230006       | PAD                               | 1  |
| 29   | TC-20-1230014       | WASHER                            | 6  |
|      |                     |                                   |    |
|      |                     |                                   |    |
|      |                     |                                   |    |
|      |                     |                                   |    |
|      |                     |                                   |    |
|      |                     |                                   |    |
|      |                     |                                   |    |
|      |                     |                                   |    |
|      |                     |                                   |    |
|      |                     |                                   |    |



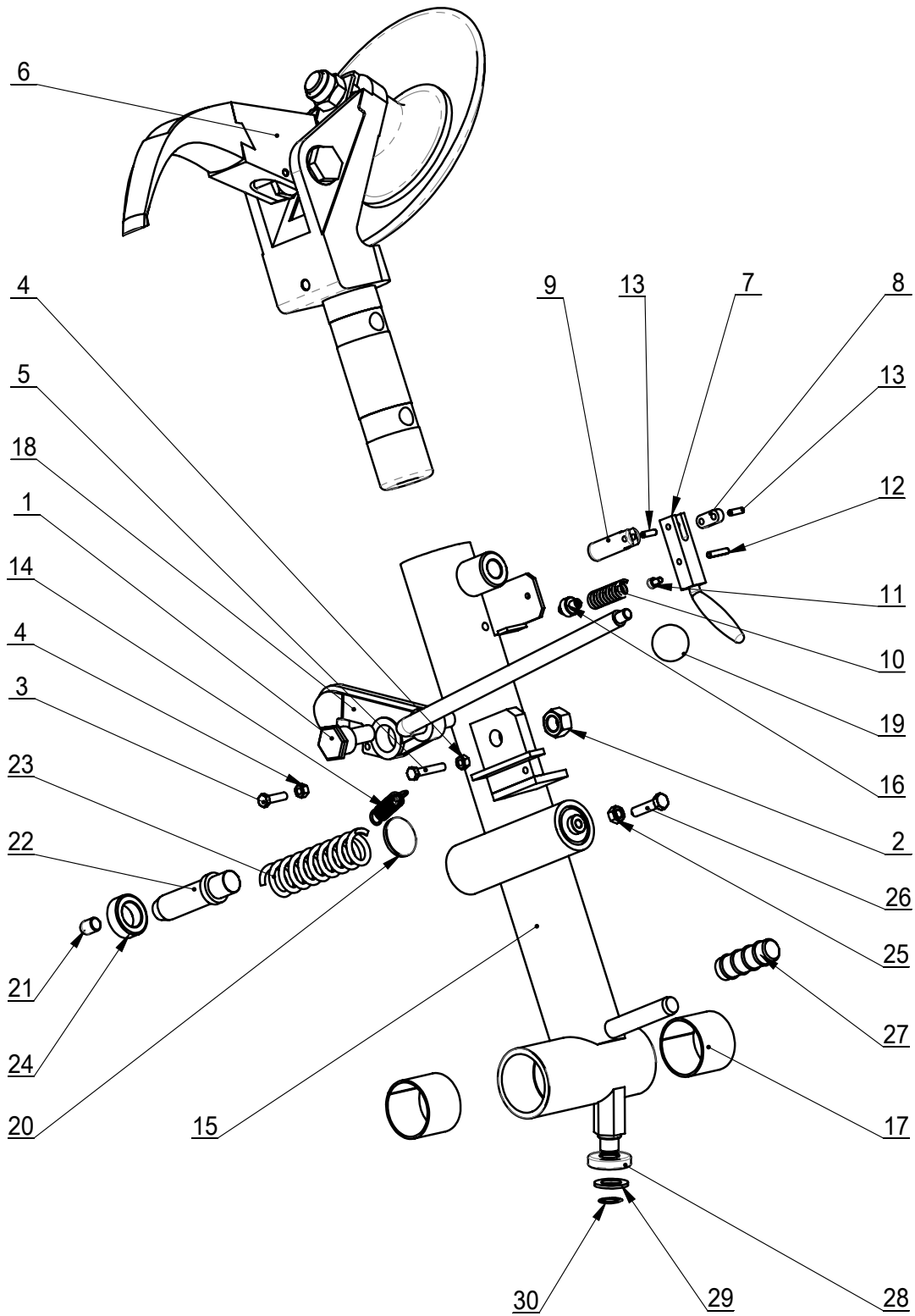
| ITEM | PART.No       | DESCRIPTION.               | QT |
|------|---------------|----------------------------|----|
| 1    | TC-10-1621000 | OIL GUIDE ASSEMBLY         | 1  |
| 2    | JB982-14      | SEALING COMPOUND           | 4  |
| 3    | TC-10-1620001 | OIL PIPE DOUBLE SCREW ROD  | 1  |
| 4    | TC-10-1620002 | NUT-LOCK                   | 1  |
| 5    | TC-10-1620003 | WASHER                     | 2  |
| 6    | TC-21-1240001 | PRESSURE GAUGE JOINT       | 1  |
| 7    | TC-10-1620005 | OIL ROUTE DOUBLE SCREW ROD | 2  |
| 8    | TC-10-1620006 | CLAMP BUSHING              | 1  |
| 9    | TC-10-1620007 | PRESSURE GAUGE             | 1  |

REVISION 15A-01



TC-21-1300000

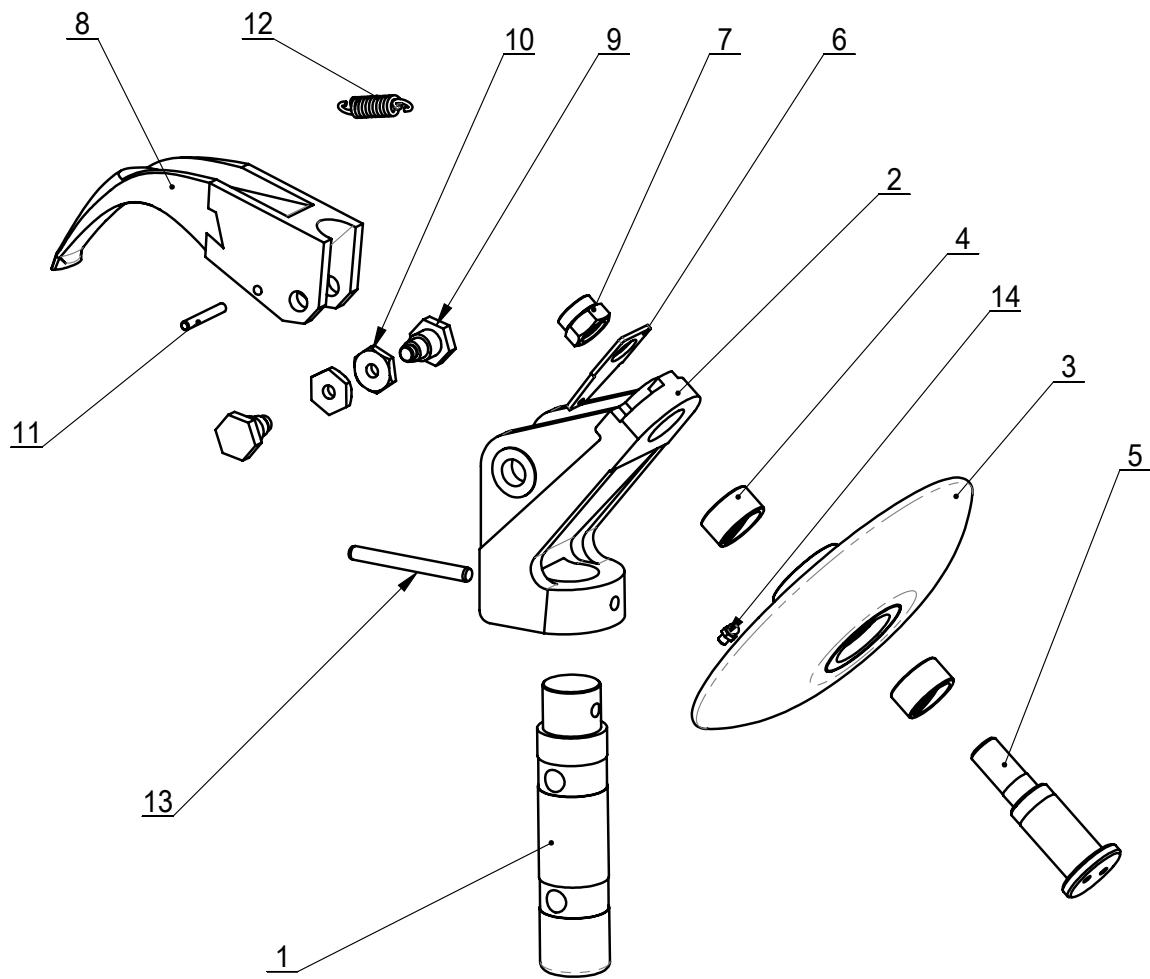




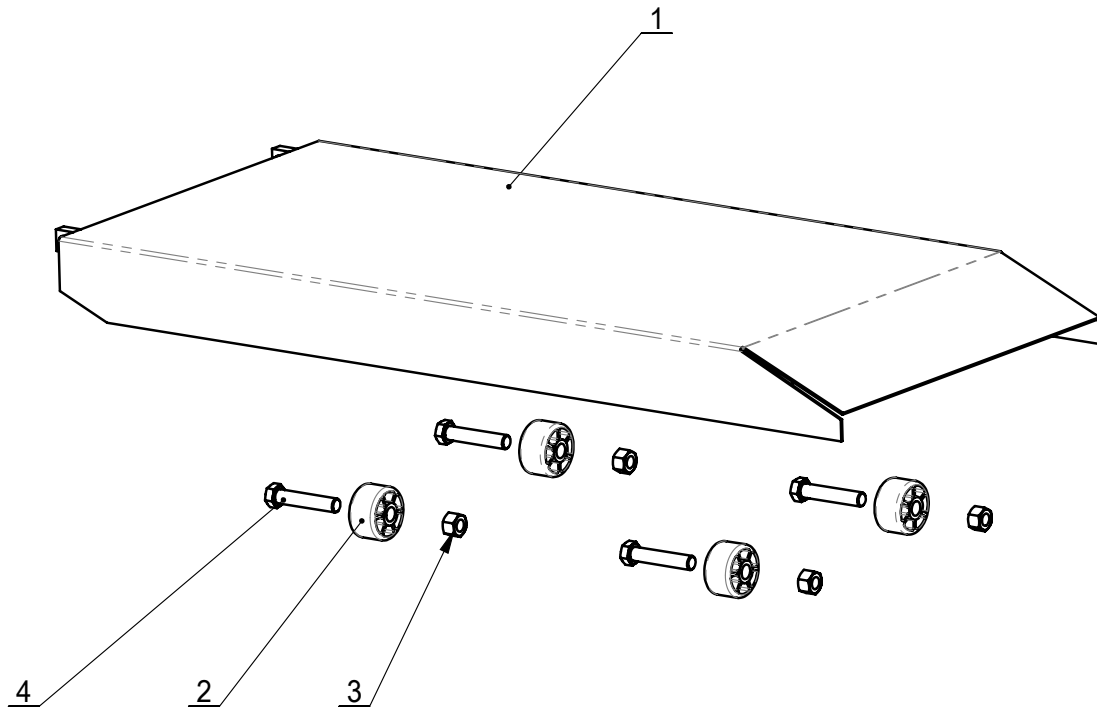
TC-21-1320000

REVISION 15A-01

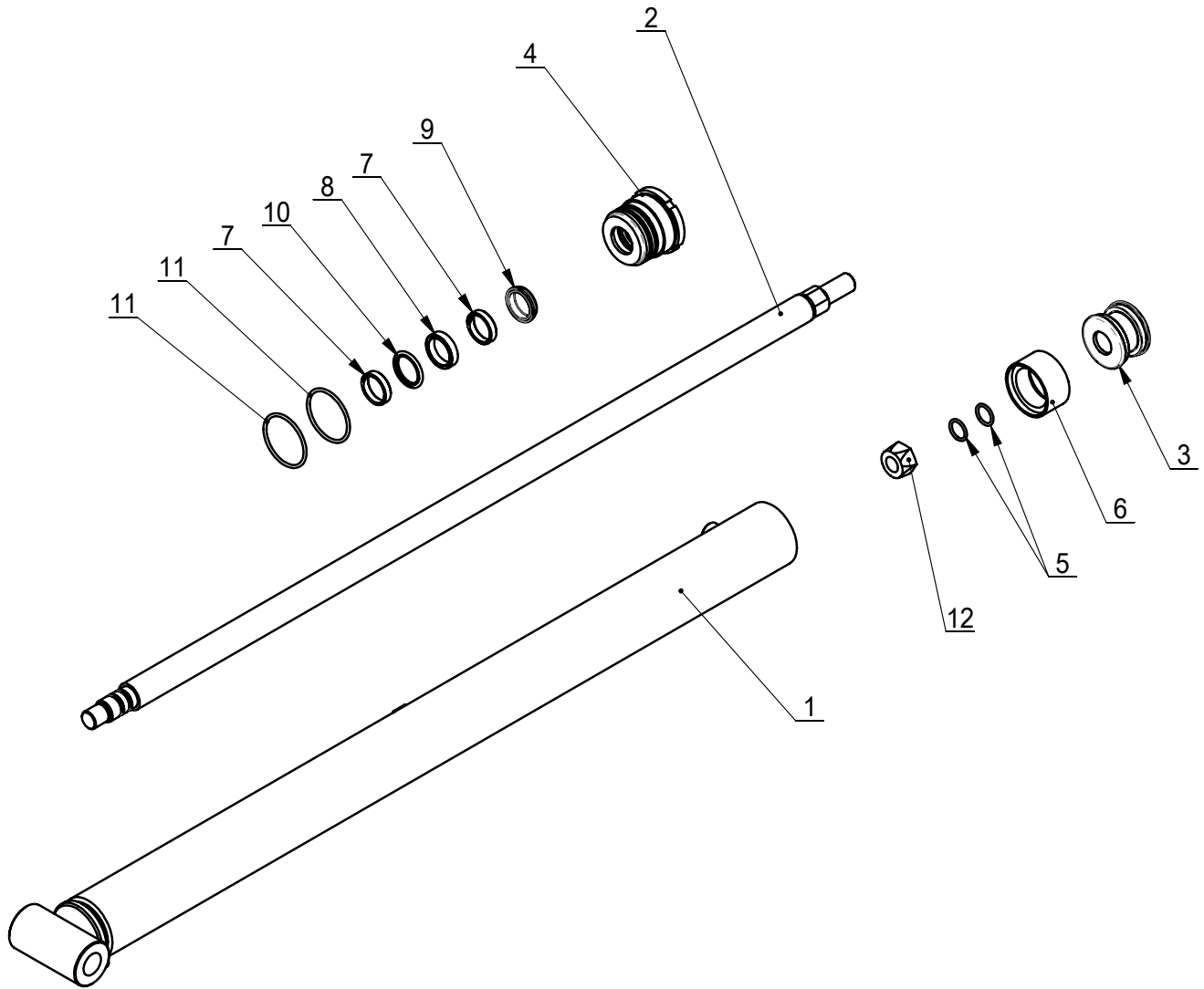
| ITEM | PART. No       | DESCRIPTION.                       | QT |
|------|----------------|------------------------------------|----|
| 1    | TC-10-1300010  | ECCENTRIC SHAFT                    | 1  |
| 2    | GB6171-M18×1.5 | 1-TYPE HEXA NUT                    | 1  |
| 3    | GB5783-M8×30   | HEXANGULAR BOLT                    | 1  |
| 4    | GB41-M8        | HEXANGULAR NUT                     | 2  |
| 5    | GB5783-M8×45   | HEXANGULAR BOLT                    | 1  |
| 6    | TC-21-1323000  | DOUBLE TOOL ASSEMBLY               | 1  |
| 7    | TC-10-1300004  | FIX LOCK PRESSER                   | 1  |
| 8    | TC-10-1300005  | CONNECT PLATE                      | 1  |
| 9    | TC-10-1300006  | PIN-FIX                            | 1  |
| 10   | TC-10-1300008  | PRESS SPRING                       | 1  |
| 11   | GB70.1-M6×10   | INNER HEXA CYLINDRICAL SCREW       | 1  |
| 12   | GB879.2-6×30   | ELASTIC CYLINDRICAL PIN, LIGHT     | 1  |
| 13   | GB879.2-6×20   | ELASTIC CYLINDRICAL PIN, LIGHT     | 2  |
| 14   | TC-10-1300009  | EXTENSION SPRING                   | 1  |
| 15   | TC-21-1324000  | TOOL SUPPORT                       | 1  |
| 16   | TC-10-1300007  | POSITION STUD                      | 1  |
| 17   | TC-21-1320001  | LELF LUBRICATION BEARING           | 2  |
| 18   | TC-21-1322000  | HOOK                               | 1  |
| 19   | TC-10-1300015  | HANDLE (JB272.1-M12*25)            | 1  |
| 20   | TC-21-1320002  | PRESS WASHER                       | 1  |
| 21   | TC-10-1300011  | WASHER                             | 1  |
| 22   | TC-10-1300012  | SHAFT                              | 1  |
| 23   | TC-10-1300014  | PRESS SPRING                       | 1  |
| 24   | TC-10-1300013  | NUT BUSHING                        | 1  |
| 25   | GB6170-M10     | HEXANGULAR NUT 1-TYPE              | 1  |
| 26   | GB5783-M10×40  | HEXANGULAR BOLT                    | 1  |
| 27   | TB-J-0207002   | HANDLE COVER                       | 1  |
| 28   | TC-21-1320003  | ROLLER                             | 1  |
| 29   | GB95-20        | FLAT WASHER                        | 1  |
| 30   | GB894.2-20     | SHAFT ELATIC RETAINING RING B-TYPE | 1  |
|      |                |                                    |    |
|      |                |                                    |    |
|      |                |                                    |    |
|      |                |                                    |    |
|      |                |                                    |    |
|      |                |                                    |    |
|      |                |                                    |    |
|      |                |                                    |    |



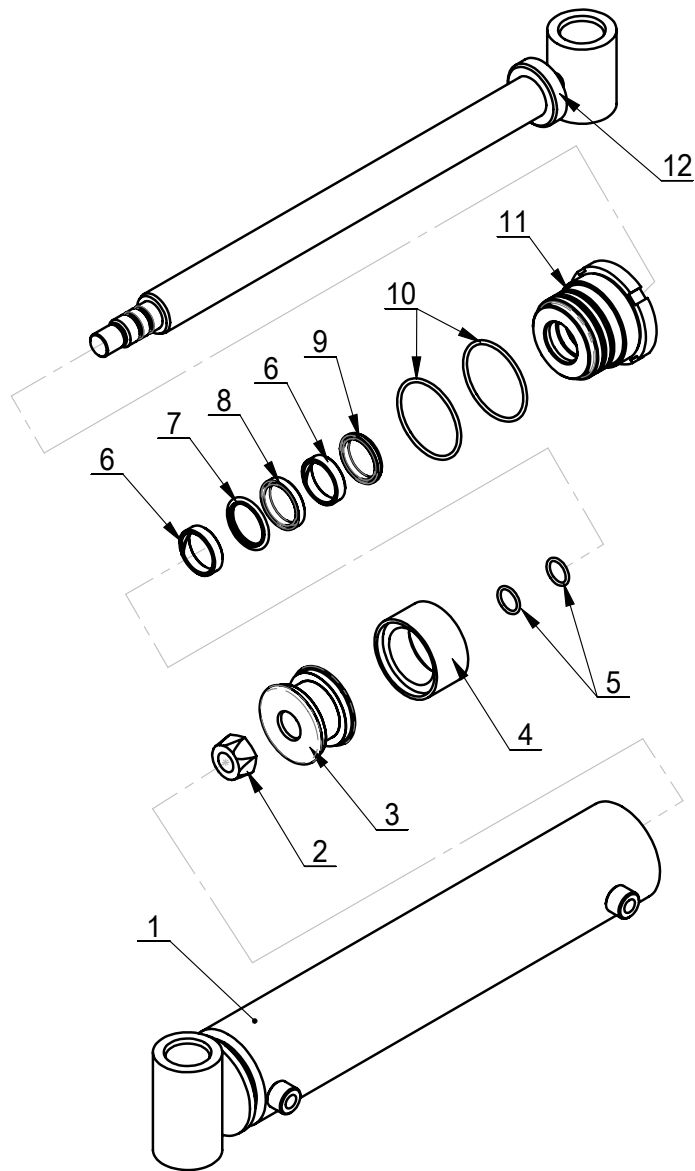
| ITEM | PART.No               | DESCRIPTION.                            | QT |
|------|-----------------------|---|----|
| 1    | TC-21-1323001         | CONNECT SHAFT                           | 1  |
| 2    | TC-10-1340009         | DOUBLE TOOL SUPPORT                     | 1  |
| 3    | TC-21-1323100         | TURNTABLE                               | 1  |
| 4    | TC-10-1340010         | BEARING                                 | 2  |
| 5    | TC-10-1340006         | SPINDLE                                 | 1  |
| 6    | TC-10-1340008         | EXTENSION SPRING CONNECT PLATE          | 1  |
| 7    | GB/T 889.1-2000 - M24 | PREVAILING TORQUE TYPE HEXAGON LOCK NUT | 1  |
| 8    | TC-10-1340001         | SHARP-NOSE TOOL                         | 1  |
| 9    | TC-10-1340003         | FIX SCREW                               | 2  |
| 10   | TC-10-1340004         | NUT                                     | 2  |
| 11   | TC-10-1340002         | PIN                                     | 1  |
| 12   | TC-10-1340005         | EXTENSION SPRING                        | 1  |
| 13   | GB119.1-12×120        | CYLINDRICAL PIN                         | 1  |
| 14   | TC-40-1200023         | OIL FILLING NOZZLE                      | 1  |



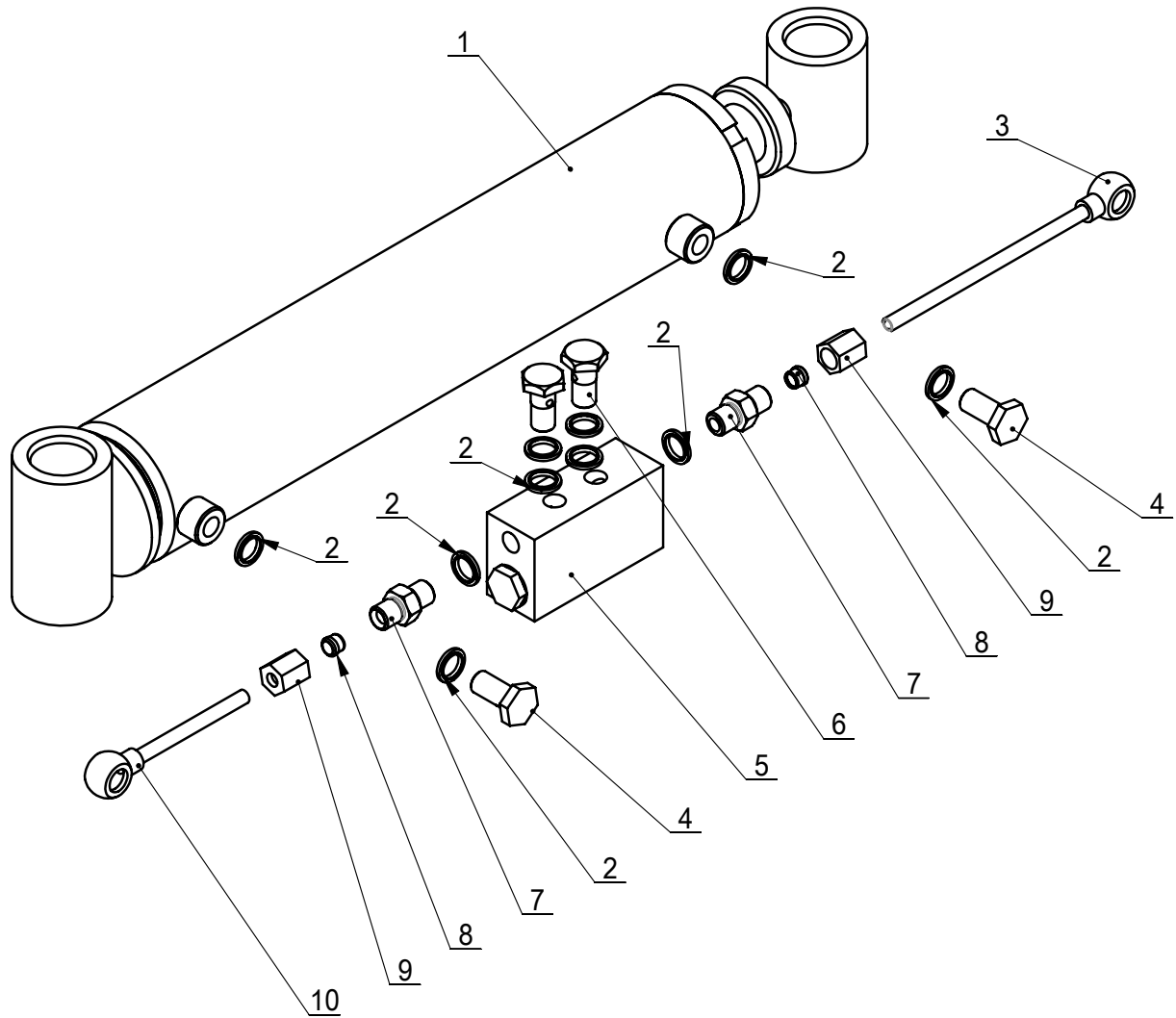
| ITEM | PART.No       | DESCRIPTION.             | QT |
|------|---------------|--------------------------|----|
| 1    | TC-21-1331000 | TRAILER ASSEMBLY WELDING | 1  |
| 2    | TC-10-1500001 | ROLLING WHEEL            | 4  |
| 3    | GB41-M16      | HEXANGULAR NUT           | 4  |
| 4    | GB5782-M16×80 | HEXANGULAR BOLT          | 4  |



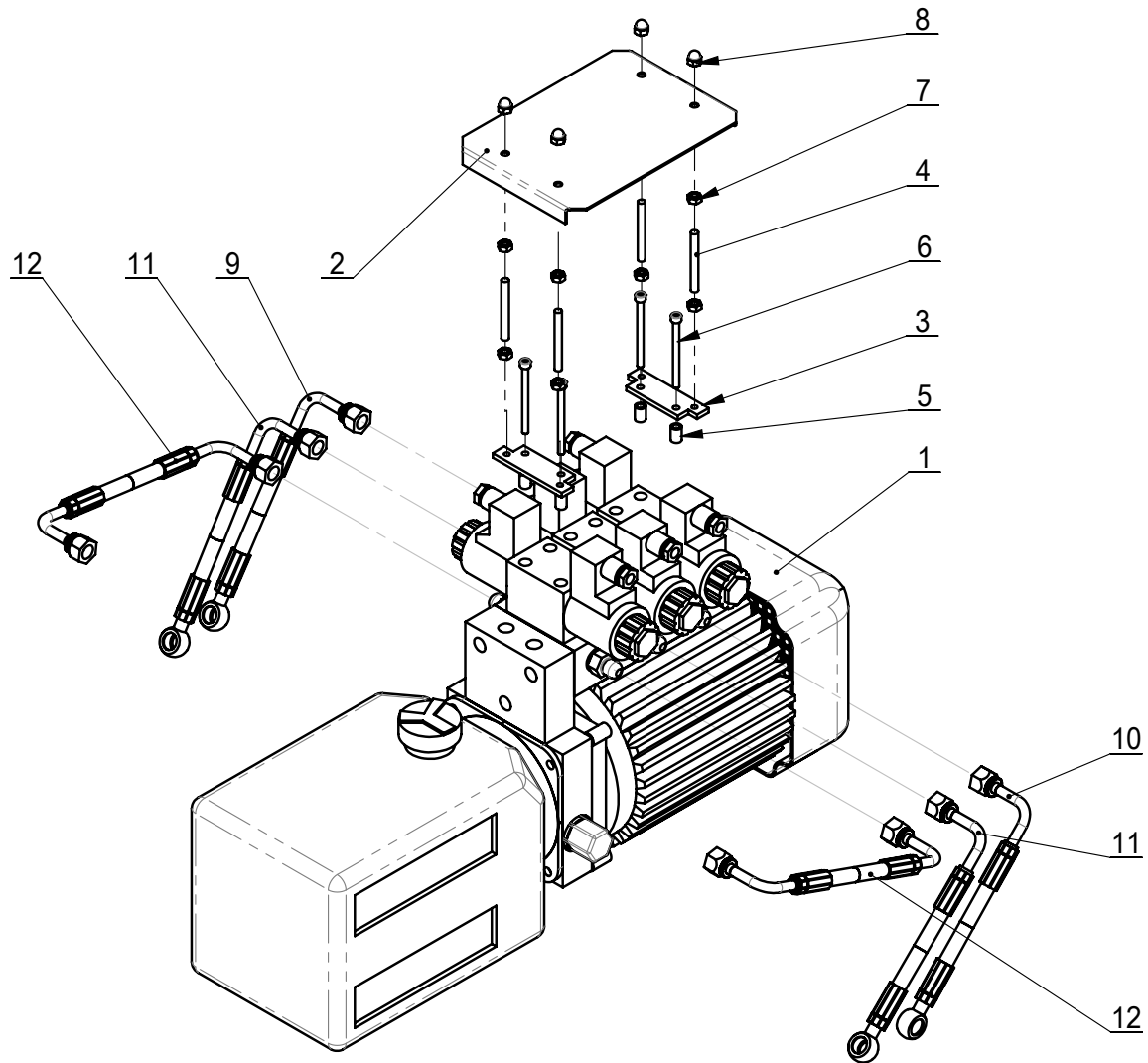
| ITEM | PART.No            | DESCRIPTION.                               | QT.Y |
|------|--------------------|--|------|
| 1    | TC-21-1410000      | OIL TANK BODY                              | 1    |
| 2    | TC-21-1400001      | PISTON ROD                                 | 1    |
| 3    | TC-20-1500002      | PISTON                                     | 1    |
| 4    | TC-20-1500003      | OIL TANK HEAD                              | 1    |
| 5    | GB3452.1-19×2.65-G | HYDRAULIC-PNEUMATIC RUBBER O-RING G TYPE   | 2    |
| 6    | TC-20-1500004      | ASSEMBLY SEALING                           | 1    |
| 7    | TC-20-1500007      | SUPPORT RING                               | 2    |
| 8    | TC-20-1500006      | U SEALING RING                             | 1    |
| 9    | TC-20-1500005      | DUST-PROOF RING LBH-25                     | 1    |
| 10   | TC-20-1500008      | SEALING RING                               | 1    |
| 11   | TC-20-1500009      | MAIN SHAFT O-RING                          | 2    |
| 12   | GB6185.2-M20×1.5   | 2-TYPE METAL HEXAGON LOCK NUT, SMALL TOOTH | 1    |



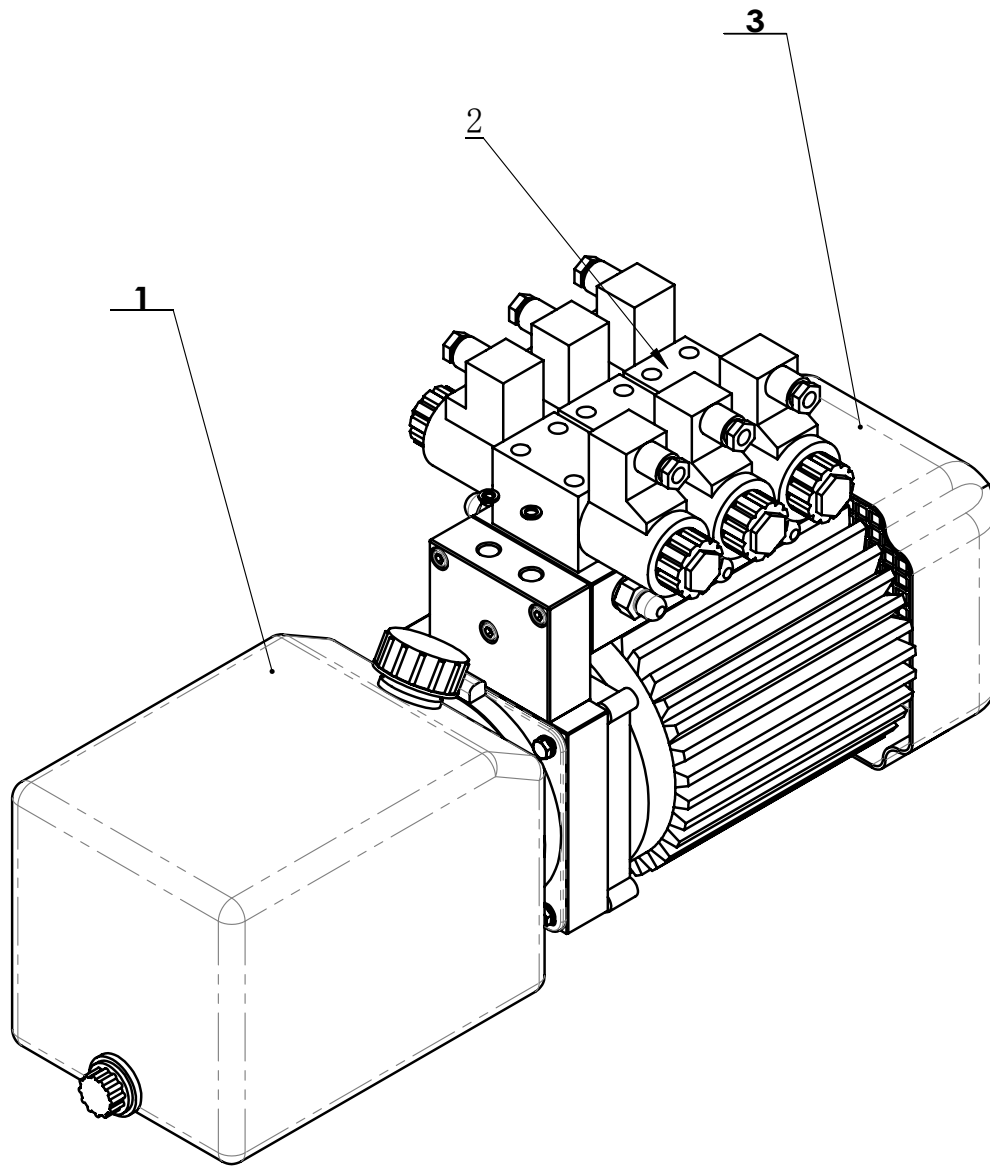
| ITEM | PART.No            | DESCRIPTION.                    | QT |
|------|--------------------|---------------------------------|----|
| 1    | TC-20-1610000      | OIL TANK BODY                   | 1  |
| 2    | GB6185.2-M20×1.5   | LOCK NUT                        | 1  |
| 3    | TC-20-1600001      | PISTON                          | 1  |
| 4    | TC-20-1600003      | ASSEMBLY SEALING                | 1  |
| 5    | GB3452.1-19×2.65-G | O-RING                          | 2  |
| 6    | TC-20-1600006      | SUPPORT RING GT-9.7B            | 2  |
| 7    | TC-20-1600007      | SEALING RING ( G SJ0350 )       | 1  |
| 8    | TC-20-1600004      | U SEALING RING                  | 1  |
| 9    | TC-20-1600005      | DUST-PROOF RING DHS-35          | 1  |
| 10   | TC-20-1600008      | MAIN SHAFT O-RING               | 2  |
| 11   | TC-20-1600002      | OIL TANK HEAD                   | 1  |
| 12   | TC-20-1620000      | PISTON ROD ASEMBLY WELDING PART | 1  |



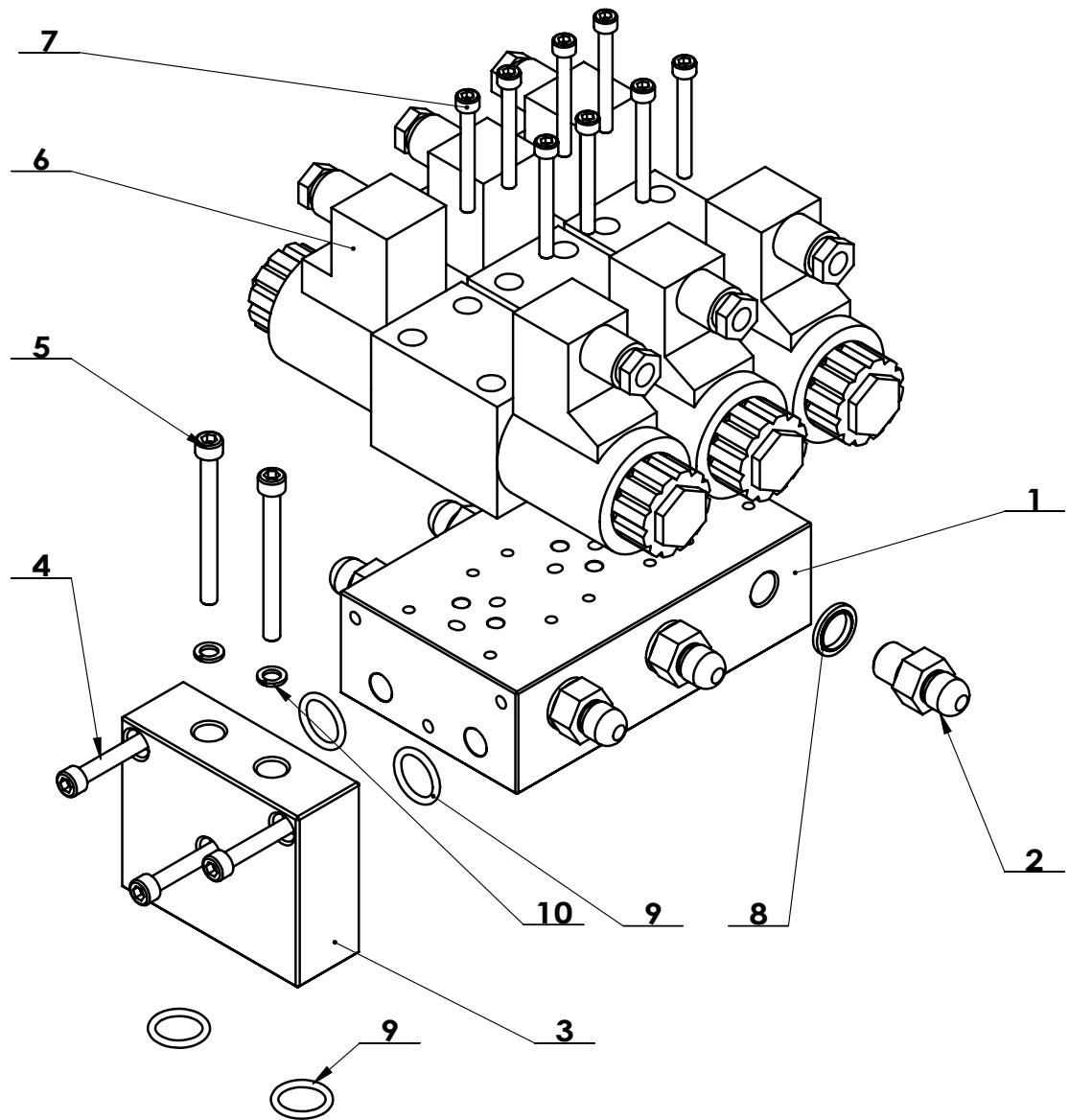
| ITEM | PART.No       | DESCRIPTION.                           | QT.Y |
|------|---------------|--|------|
| 1    | TC-20-1600000 | VERTICAL OIL TANK                      | 1    |
| 2    | JB982-14      | SEALING COMPOUND                       | 10   |
| 3    | TC-21-1610000 | OIL PIPE JOINT NOZZAL ASSEMBLY WELDING | 1    |
| 4    | TC-21-1600001 | NOZZAL                                 | 2    |
| 5    | TC-10-1700003 | HYDRAULIC LOCK                         | 1    |
| 6    | TC-10-1700002 | OIL TUBE CONNECTOR                     | 2    |
| 7    | TC-10-1620001 | OIL PIPE DOUBLE SCREW ROD              | 2    |
| 8    | TC-10-1620006 | CLAMP BUSHING                          | 2    |
| 9    | TC-10-1620002 | NUT-LOCK                               | 2    |
| 10   | TC-10-1710000 | OIL PIPE JOINT NOZZAL ASSEMBLY WELDING | 1    |



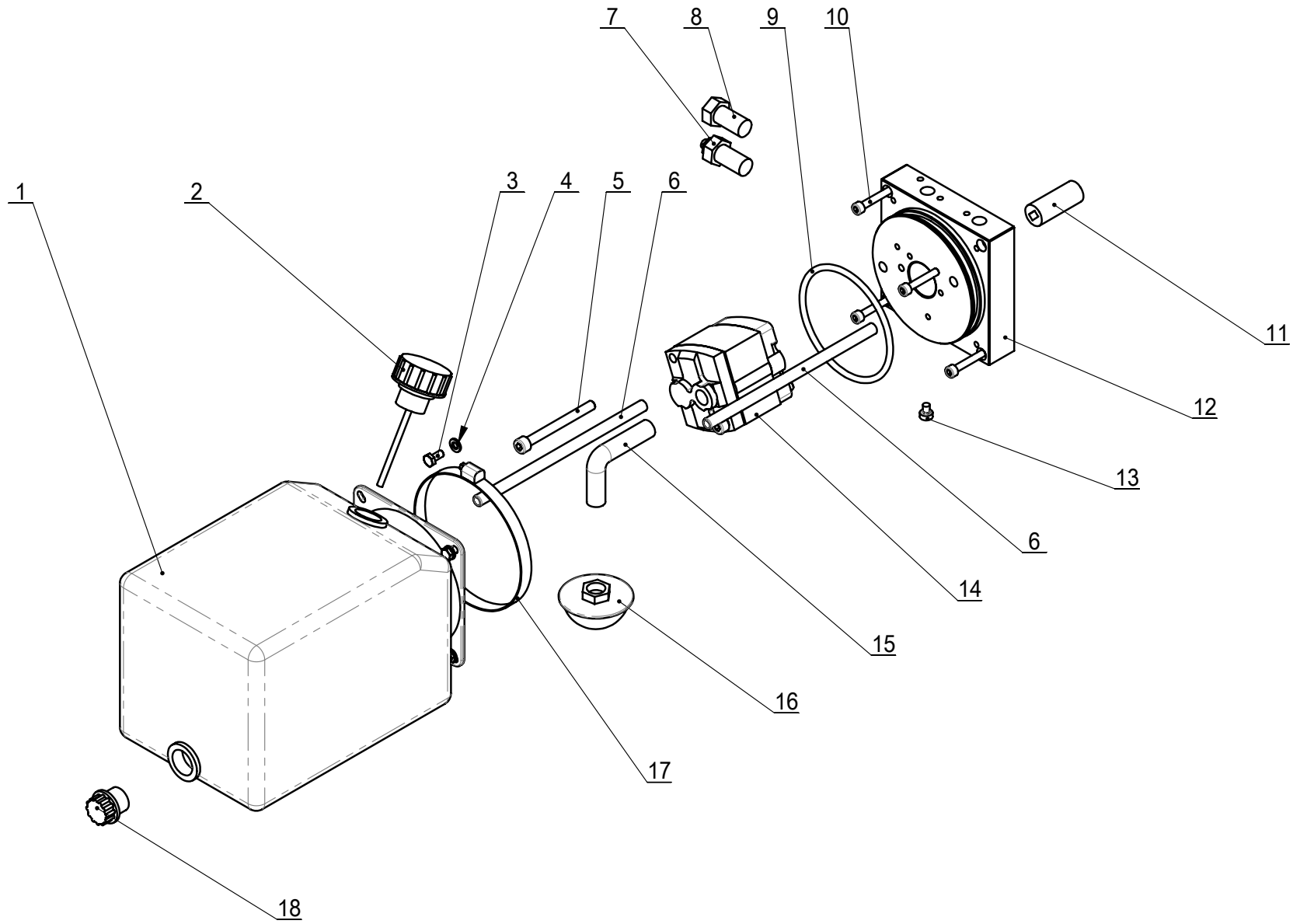
| ITEM | PART.No       | DESCRIPTION.                         | QT |
|------|---------------|--------------------------------------|----|
| 1    | TC-10-1031000 | LC588 pumping station assembly       | 1  |
| 2    | TC-10-1030001 | electromagnetism valve cover         | 1  |
| 3    | TC-10-1030002 | electromagnetism valve cover support | 2  |
| 4    | TC-10-1030003 | DORBLE ROD SCREW                     | 4  |
| 5    | TC-10-1030004 | washer                               | 4  |
| 6    | GB70- M5×65   | hexagonal bolt                       | 4  |
| 7    | GB6170-M6     | HEXANGULAR NUT 1-TYPE                | 8  |
| 8    | GB923-M6      | CAP NUT                              | 4  |
| 9    | YG-1202300    | OIL PIPE                             | 1  |
| 10   | TC-10-1000019 | TRAIL OIL TANK OIL PIPE(1800)        | 1  |
| 11   | YG-1201300    | OIL PIPE                             | 2  |
| 12   | YG-1101650    | OIL PIPE                             | 2  |



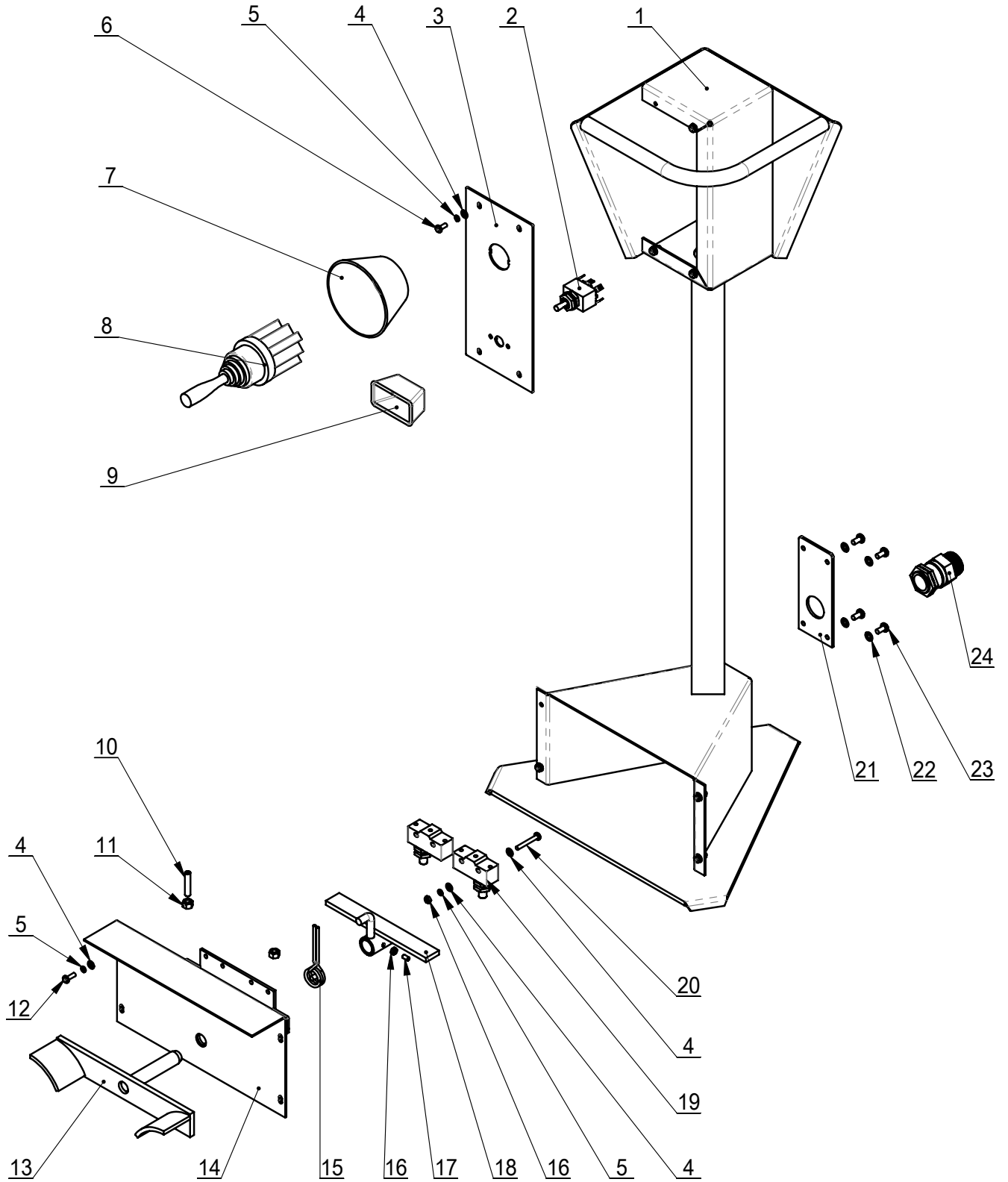
| ITEM | PART. No      | DESCRIPTION.                | QT |
|------|---------------|-----------------------------|----|
| 1    | TC-10-1031200 | PUMP STATION COMPONENTS     | 1  |
| 2    | TC-10-1031100 | VALVE PLATE COMPONENTS      | 1  |
| 3    | TC-DJ-5880007 | 380V/220V50/60Hz PUMP MOTOR | 1  |



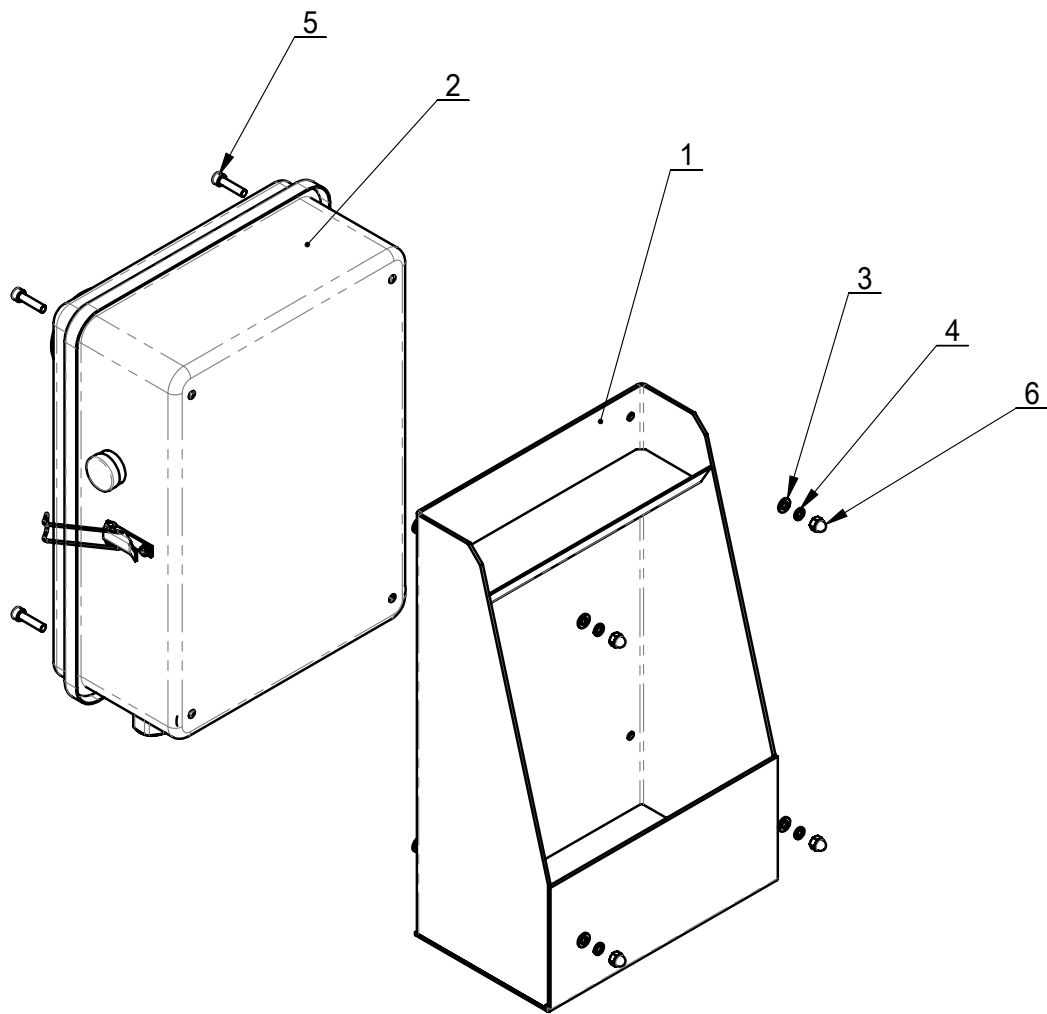
| ITEM | PART. No             | DESCRIPTION.                 | QT |
|------|----------------------|------------------------------|----|
| 1    | TC-10-1031103        | THE VALVE BLOCK              | 1  |
| 2    | TC-10-1620005        | OIL ROUTE DOUBLE SCREW ROD   | 6  |
| 3    | TC-20-1031102        | VALVE PLATE CONNECTION PLATE | 1  |
| 4    | GB70. 1-M6×35        | SCREW                        | 3  |
| 5    | GB70. 1-M6×60        | SCREW                        | 2  |
| 6    | TC-20-1031104        | SOLENOID VALVE               | 3  |
| 7    | GB70. 1-M5×45        | INNER HEXA CYLINDRICAL SCREW | 8  |
| 8    | JB982-14             | SEALING COMPOUND             | 6  |
| 9    | GB3452. 1-17×2. 65-G | O-RING                       | 4  |
| 10   | GB859-6              | SPRING WASHER                | 2  |



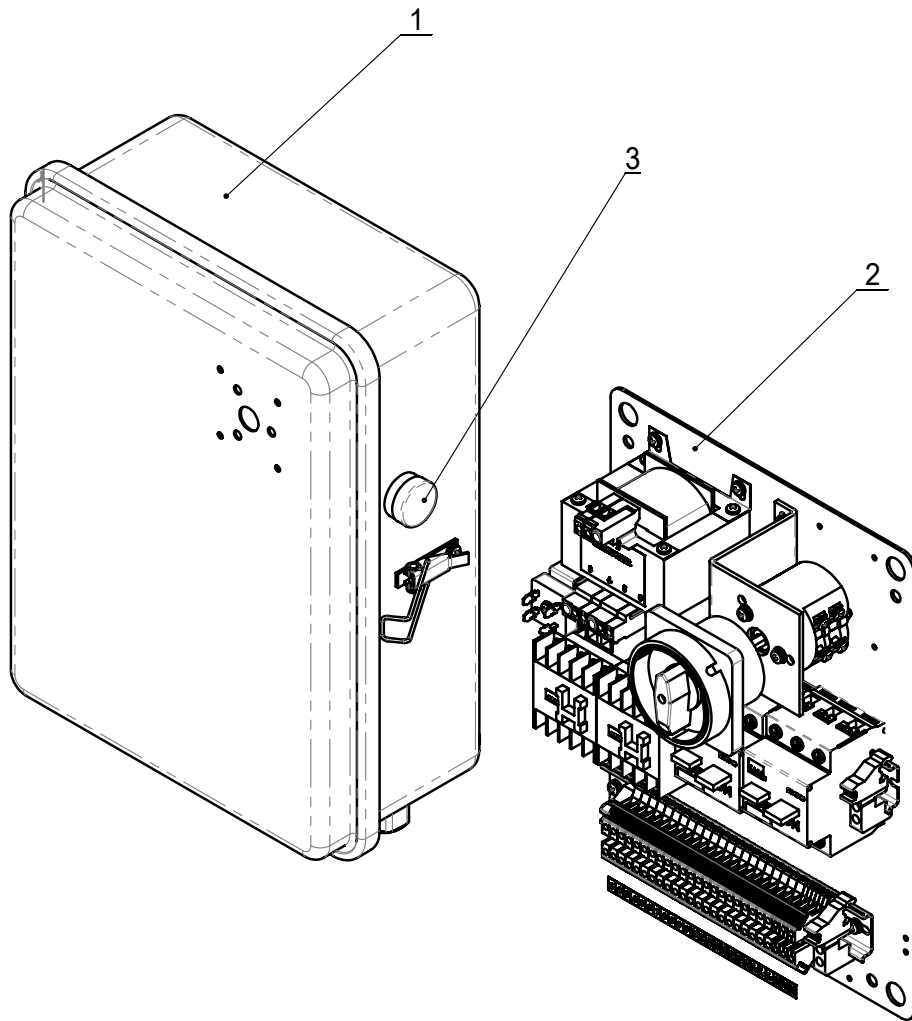




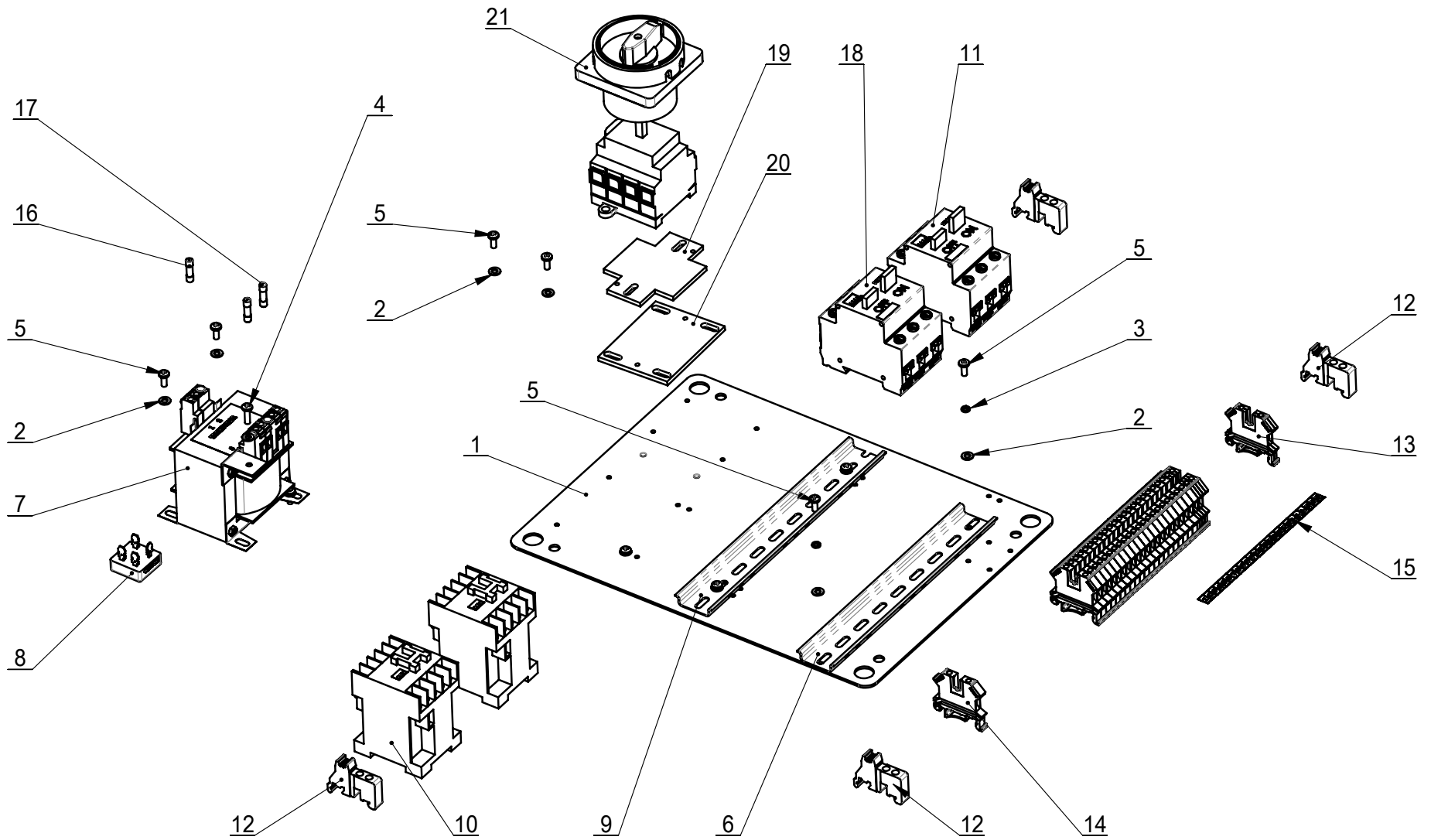




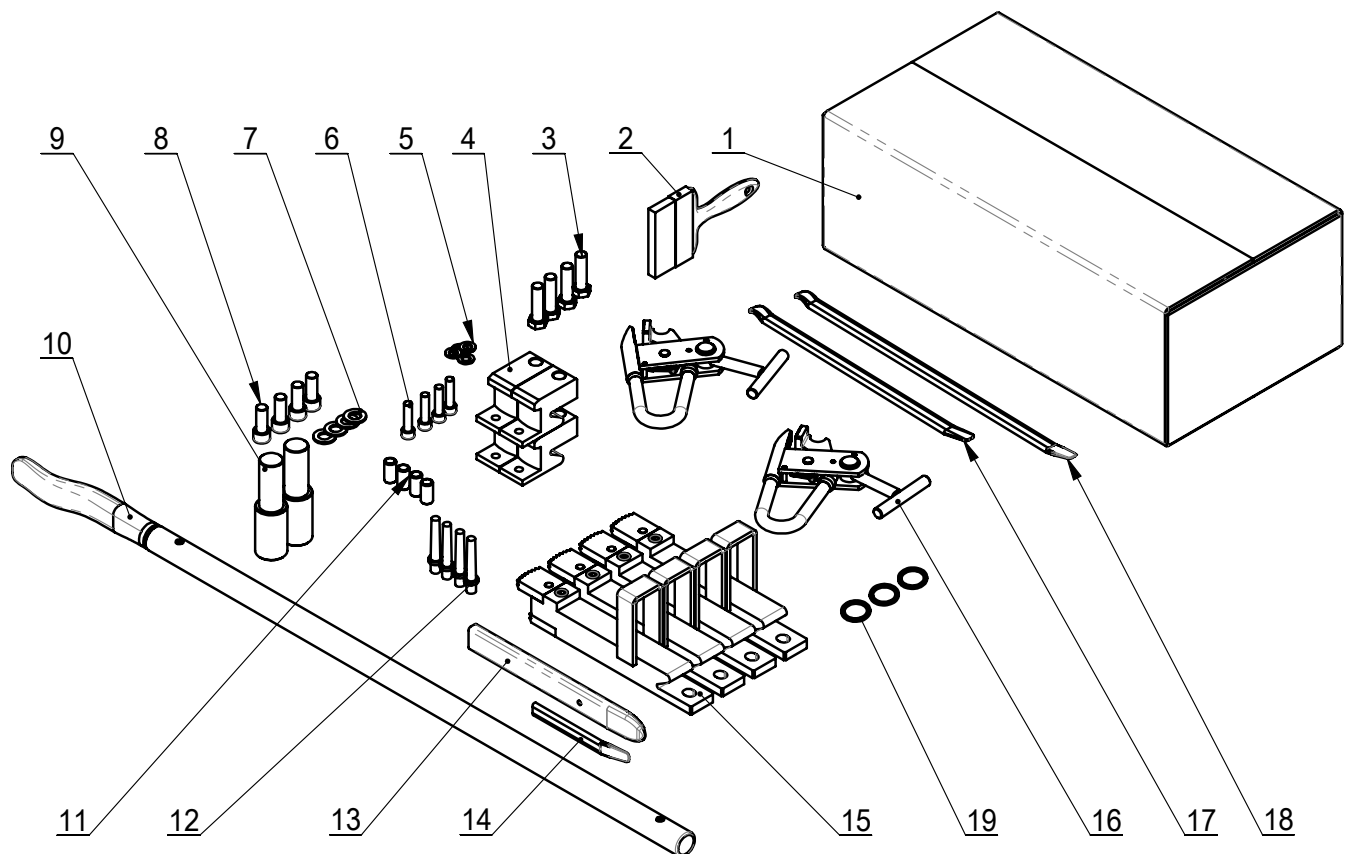
| ITEM | PART.No       | DESCRIPTION.                 | QT |
|------|---------------|------------------------------|----|
| 1    | TC-21-1510000 | tool box                     | 1  |
| 2    | TC-21-2031380 | 590D ELECTRICAL BOX          | 1  |
| 3    | GB95-6        | FLAT WASHER                  | 8  |
| 4    | GB93-6        | STANDARD SPRING WASHER       | 4  |
| 5    | GB70.1-M6×25  | INNER HEXA CYLINDRICAL SCREW | 4  |
| 6    | GB923-M6      | CAP NUT                      | 4  |



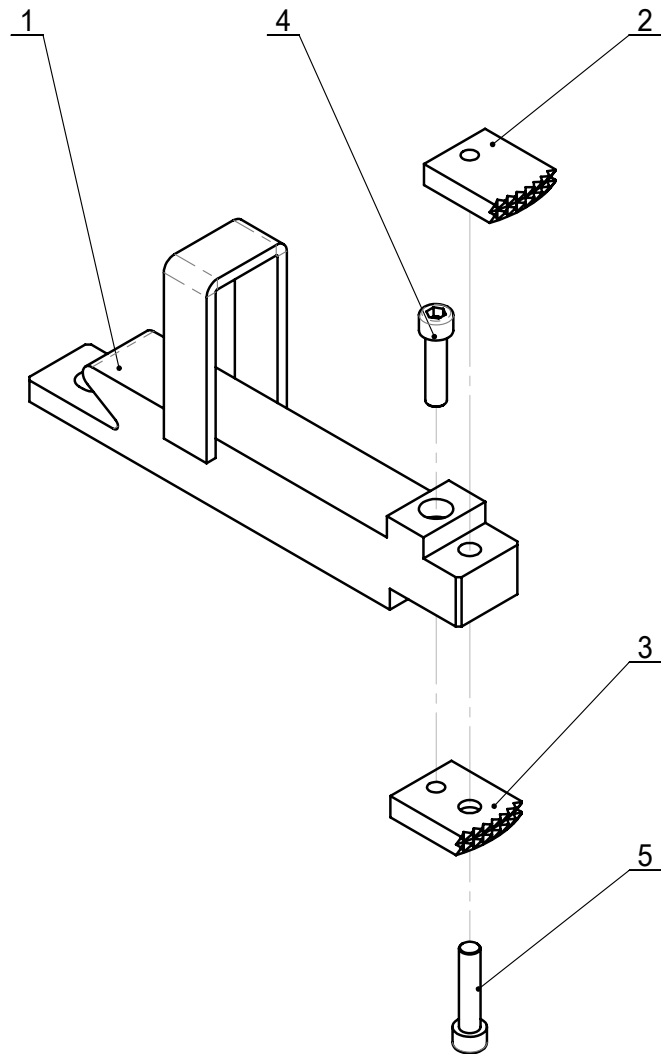
| ITEM | PART.No       | DESCRIPTION.                       | QT.Y |
|------|---------------|------------------------------------|------|
| 1    | TC-10-2131311 | ELECTRICAL BOX                     | 1    |
| 2    | TC-21-2231380 | ELECTRICAL CONTROL CABINET         | 1    |
| 3    | TC-E-7202401  | ELECTRICAL SUPPLY INDICATING LIGHT | 1    |







| ITEM | PART.No       | DESCRIPTION.           | QT |
|------|---------------|------------------------|----|
| 1    | TC-20-6000003 | ACCESSORY BOX          | 1  |
| 2    | TC-40-8000007 | BRUSH                  | 1  |
| 3    | GB5783-M14×50 | BOLT                   | 4  |
| 4    | TC-20-6200002 | NYLON COVER            | 4  |
| 5    | GB95-10       | FLAT WASHER            | 4  |
| 6    | GB70.1-M10×40 | SCREW                  | 4  |
| 7    | GB95-14       | FLAT WASHER            | 4  |
| 8    | GB70.1-M14×35 | SCREW                  | 4  |
| 9    | TC-20-6000004 | PIN SHAFT              | 2  |
| 10   | TC-10-6100000 | CROWBAR                | 1  |
| 11   | TC-20-6200001 | CUSHION COVERS         | 4  |
| 12   | M10X80-P      | BOLT                   | 4  |
| 13   | TC-40-8000006 | 24INCH CROWBAR         | 1  |
| 14   | C-01-1000012  | 20INCH CROWBAR         | 1  |
| 15   | TC-20-6100000 | EXTENSION JAW ASSEMBLY | 4  |
| 16   | TC-10-8200000 | CLAMP ASSEMBLY         | 2  |
| 17   | C-54-8000003  | 20" CROWBAR            | 1  |
| 18   | TC-10-6000001 | 24" CROWBAR            | 1  |
| 19   | TC-10-1621005 | X-RING 31.42*2.62      | 3  |



| ITEM | PART.No       | DESCRIPTION.                 | QT.Y |
|------|---------------|------------------------------|------|
| 1    | TC-20-6110000 | EXTENSION JAW ASSEMBLY       | 1    |
| 2    | TC-20-6100001 | CLAMP                        | 1    |
| 3    | TC-20-1300009 | QUICK CHANGE CLAMPING JAW    | 1    |
| 4    | GB70.1-M10×40 | INNER HEXA CYLINDRICAL SCREW | 1    |
| 5    | GB70.1-M10×45 | INNER HEXA CYLINDRICAL SCREW | 1    |