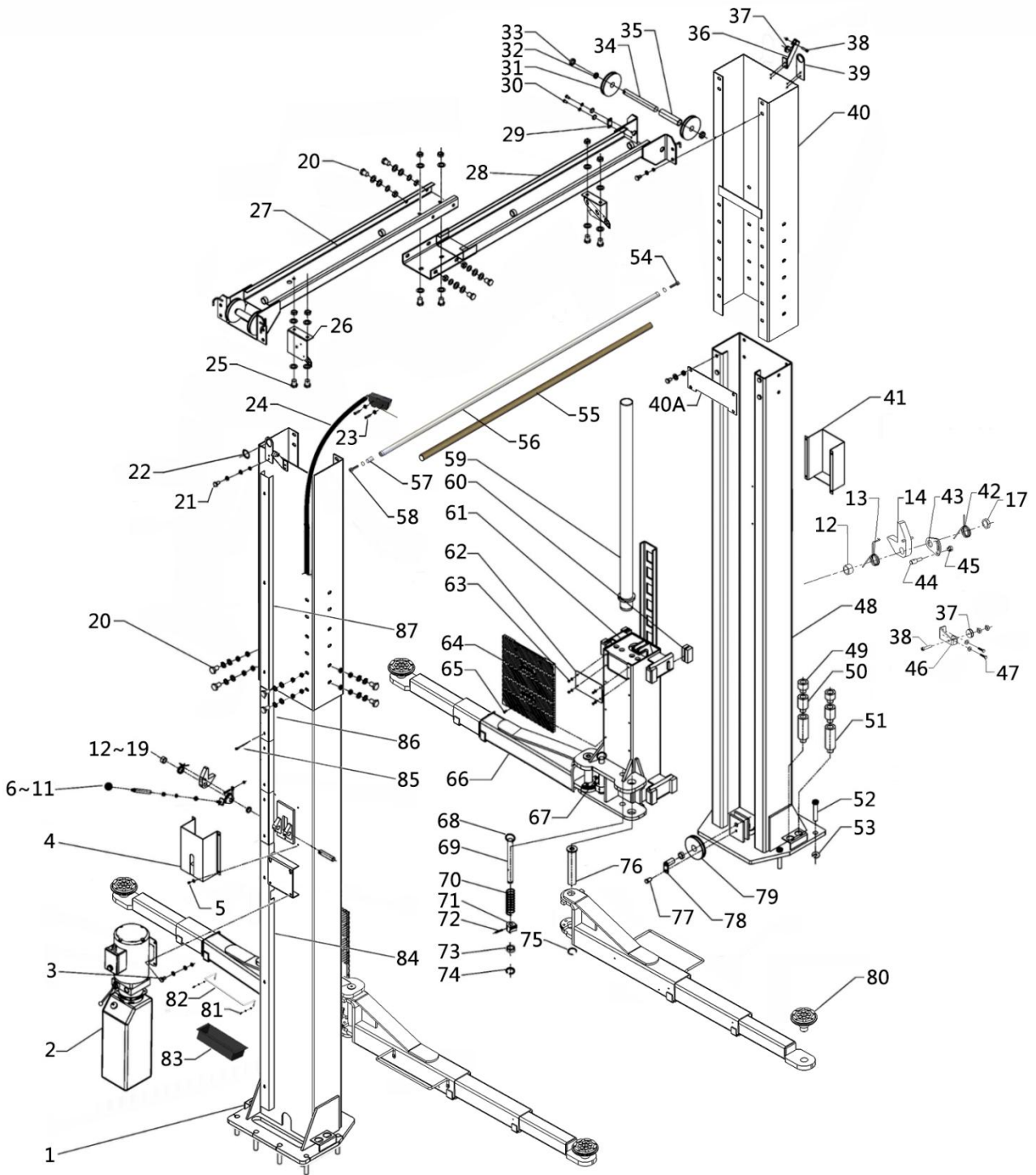


EXPLODED VIEW



PARTS LIST FOR MODEL 212C

Item	Part#	Description	Qty
1	11217458-02	Power-side column	1
2	81513005	Power unit (220V)	1 or 1
	81513004	Power unit (380V)	
3	1002735003	Hex bolt M8*25 (Include flat washer, lock washer, hex nut)	4
4	11217405	Power-side safety device cover	1
5	1002735004	Round head bolt M6*8 (Include flat washer)	8
6	10217005	Plastic ball M10	1
7	11217006	Safety Lock handle ϕ 16*143	1
8	10206023A	Hex Nut M12	1
9	10420026	Lock washer ϕ 12	1
10	10206006	Flat washer ϕ 12	1
11	11217004	Main Cam Lock	1
12	11217436	Large Spacer ϕ 36*15.5	2
13	10217030	Safety Spring ϕ 2.5*120°	2
14	11217009	Main Lock	1
15	10217010	Hex bolt M6*40	1
16	10217011	Hex nut M6	9
17	11217012	Small Spacer ϕ 27*10	2
18	10217051	Socket Screw M10*10	2
19	11217050	Safety pin ϕ 20*93	2
20	1002735005	Hex bolt M12*35(Include 2 flat washer, lock washer, hex nut)	38
21	1002735006	Hex bolt M6*20 (Include flat washer, lock washer, hex nut)	8
22	1061K074	Protective ring ϕ 35	2
23	1002735007	Round head bolt M4*30 (Include hex nut)	2
24	1002185004	Limit switch assy.(Include wire L=5000mm)	1
25	1002735008	Hex bolt M10*20(Include flat washer, lock washer, hex nut)	4
26	1103072003A-01	Control Bar fixing bracket	2
27	11217016B-01	Top Beam(Left)	1
28	11217015B-01	Top Beam(Right)	1
29	11420044	Pin Limit Plate	2
30	1002735009	Socket bolt M6*16(Include flat washer, lock washer)	12
31	11217019-01	Top pulley ϕ 112*18	4
32	10217020	Bronze Bush for Pulley ϕ 31* ϕ 25.1*16	6
33	11217021	Top Pulley Spacer ϕ 32*11	4
34	11217022	Pin for Top Pulley ϕ 25*213	2
35	11217023	Top Pulley Spacer ϕ 32*127	2
36	11217379	Lock release cable bracket	2
37	10206009	Plastic Small Pulley	3
38	1002735010	Hex bolt M10*35(Include lock washer, hex nut)	3

Item	Part#	Description	Qty
39	11217024	Oil hose supporter	2
40	11217470-02	Outer column L=2356mm	2
40A	11217068	Column Reinforce Plate	2
41	11217406	Offside safety device cover	1
42	10217008	Safety Spring $\phi 2.5 \times 145^\circ$	1
43	11217031	Offside Cam Lock	1
44	10217032	Cable connecting pin	1
45	10217033	Nylok Nut	1
46	11217029	Pulley bracket	1
47	1002735011	Hex bolt M6*15 (Include flat washer)	2
48	11217459-02	Offside column	1
49	11209051B	1.5" Stackable adapter	4
50	11209052B	2.5" Stackable adapter	4
51	11209053B	5" Stackable adapter	4
52	10201140	Anchor Bolt 3/4*6 1/2"	12
53	10201090	Shim(1mm)	10
	10620065	Shim(2mm)	10
54	1002735014	Hex bolt M8*16(Include lock washer)	1
55	10206025A	Control Bar Foam Pipe $\phi 35 \times \phi 22 \times 1950$ mm	1
56	1102072001A-01	Control car $\phi 22 \times 2400$	1
57	1102022007	Connecting Sleeve $\phi 14 \times 2 \times 20$	1
58	1002735013	Hex bolt M8*35 (Include lock washer)	1
59	10217056A	Cylinder $\phi 63 \times 1727$	2
60	1002755015	Slide Block 100*55*50	16
61	11217480-01	Carriage	2
62	11217054	Carriage Plastic Cover	2
63	10209009	Cup Head Bolt M6*8	8
64	10217053	Protective Rubber	2
65	10209019	Flat head screw M6*16	12
66	10217327-01	Lifting Arm assy.	4
67	11217046C	Arm Lock bar (Right) $\phi 30 \times 324.5$	2
68	10209153	Pull ring of arm lock bar $\phi 70 \times \phi 6$	4
69	11217046B	Arm Lock bar (left) $\phi 30 \times 324.5$	2
70	10217045A-01	Spring $\phi 31 \times \phi 36 \times \phi 2.5$ (L=214.5)	4
71	1002163001	Arm Lock M1.5*72teeth*24	4
72	10206036-01	Hair Pin $\phi 6 \times 45$	4
73	1102163002	Washer $\phi 39 \times 4 \times 18$	4
74	10610008	Snap Ring $\phi 30$	4
75	10520023	Snap Ring $\phi 38$	4
76	11217047B	Pin for Lifting arm $\phi 38 \times 280$	4
77	1002205001	Hex Bolt M10*15(Include flat washer, lock washer)	2
78	11217037	Bottom pin $\phi 25 \times 45$	2

Item	Part#	Description	Qty
79	11217036-01	Bottom pulley ϕ 146*18	2
80	10217114A	Rubber pad assy.	4
81	1002735012	Hex bolt M8*16/(Include flat washer, lock washer)	4
82	11206154	Rear toe guard	2
83	10206156	Tool tray	2
84	11203778-01	Wire Protective cover L=1560mm	2
85	10206079	Cup Head Bolt M6*40	24
86	1102781001	Wire Protective cover L=304mm	6
87	10217478-01	Wire Protective cover L=2230mm	2
88	10620079	Straight Fitting 1/4JIC*1/4JIC(Medium & High setting)	1
89	1002785006	Oil hose 5/16"*6000mm(Medium setting)	1
90	1002185001-01	Oil hose 5/16"*1218mm(High setting)	1
91	1102166001	Extended straight fitting 1/4NPT(M)*1/4JIC(M) L=117	2
92	10209060	90° Fitting for power unit	1
93	10217453	Lock release cable ϕ 2.5*10370mm	1
94	1102075001	Cable Limit Plate	4
95	10217456-02	Oil hose 5/16*5050mm	1
96	10217455-01	Oil hose 5/16*6125mm	2
97	10209066	Hex nut M16	8
98	10217452	Sync Cable ϕ 9.52*12540mm	2
99	10420029	Flat washer ϕ 16	8
100	10211016	T-Fitting 1/4JIC(M)*1/4JIC(M)*1/4JIC(M)	1
101	10217501B	Parts box	1

1. Lifting Arm Exploded View (10217052D)

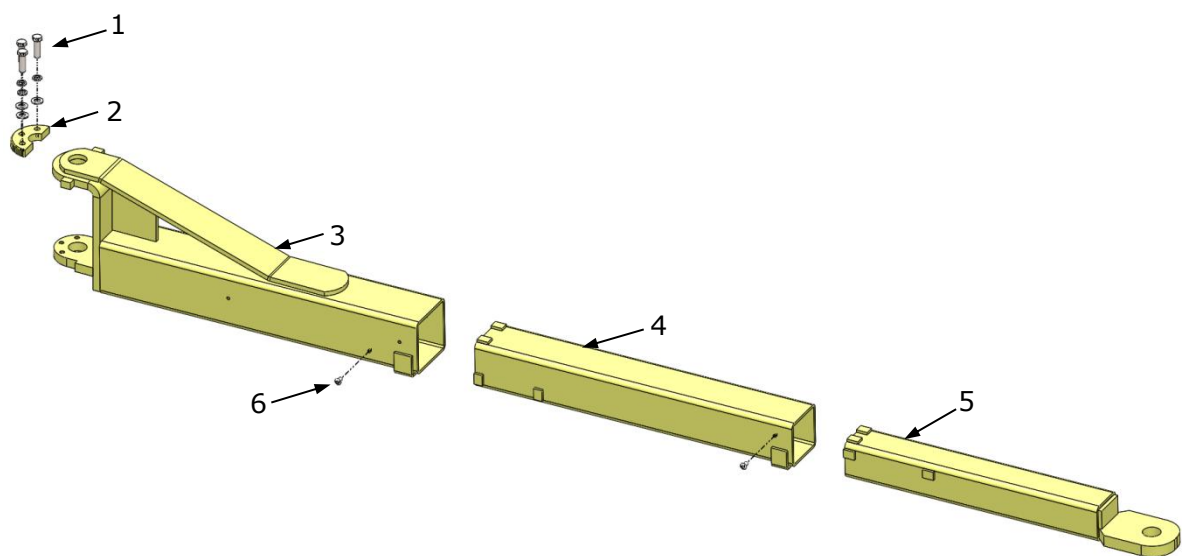


Fig. 52

Item	Part#	Description	Qty.
1	1102205004	Socket bolt (M12*48), flat washer, lock washer	12
2	1102163001	Moon gear	4
3	11217834	Outer arm	4
4	11217337	Middle arm	4
5	10201149	Flat head screw M8*12	8
6	11217336-01	Inner arm	4

2. Cylinders Exploded View (10217056A)

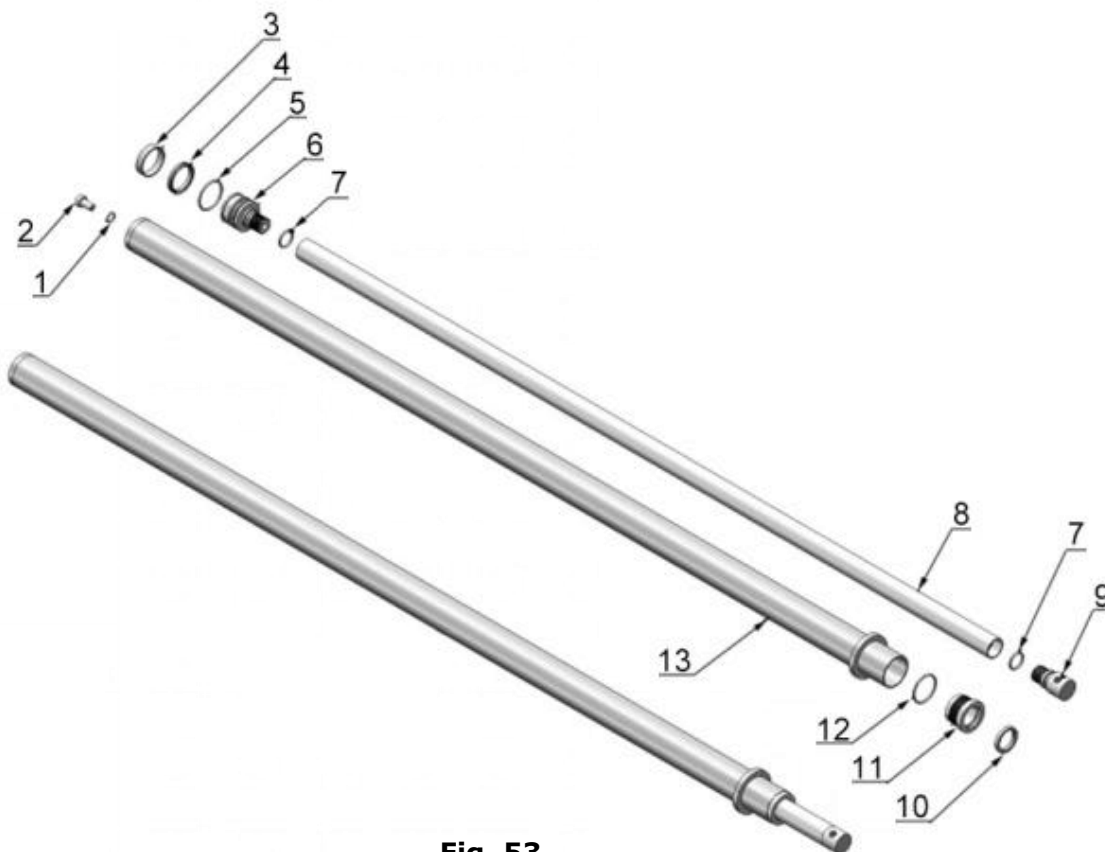


Fig. 53

Item	Part#	Description	Qty.	Note
1	10209069	O-Ring	2	
2	10209070	Bleeding Plug	2	
3	10217071	Support Ring	2	
4	10217072	Y-Ring	2	
5	10217073	O-Ring	2	
6	11217074	Piston	2	
7	10217075	O-Ring	2	
8	11217089	Piston rod	2	
9	11217077	Piston rod fitting	2	
10	10217078	Dust ring	2	
11	11217079A	Head cap	2	
12	10217080A	O-Ring	2	
13	11217090	Bore weldment	2	